



California Faucets®

# Bel Canto™

## SINGLE HOLE LAVATORY FAUCET

### Features

- 4-3/4" spout center to center
- Single handle operation cartridge with ceramic disk
- Flexible braided hoses for ease of installation
- $\phi$  1-1/4" all brass touch style pop up drain assembly
- 1.2 gpm (4.5 L/m) max flow rate
- All brass construction
- Over 30 finishes including 13 PVD finishes

### Codes/Standards Applicable

Product meets or exceeds the following:

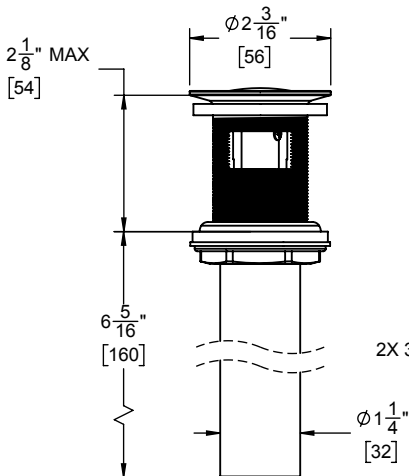
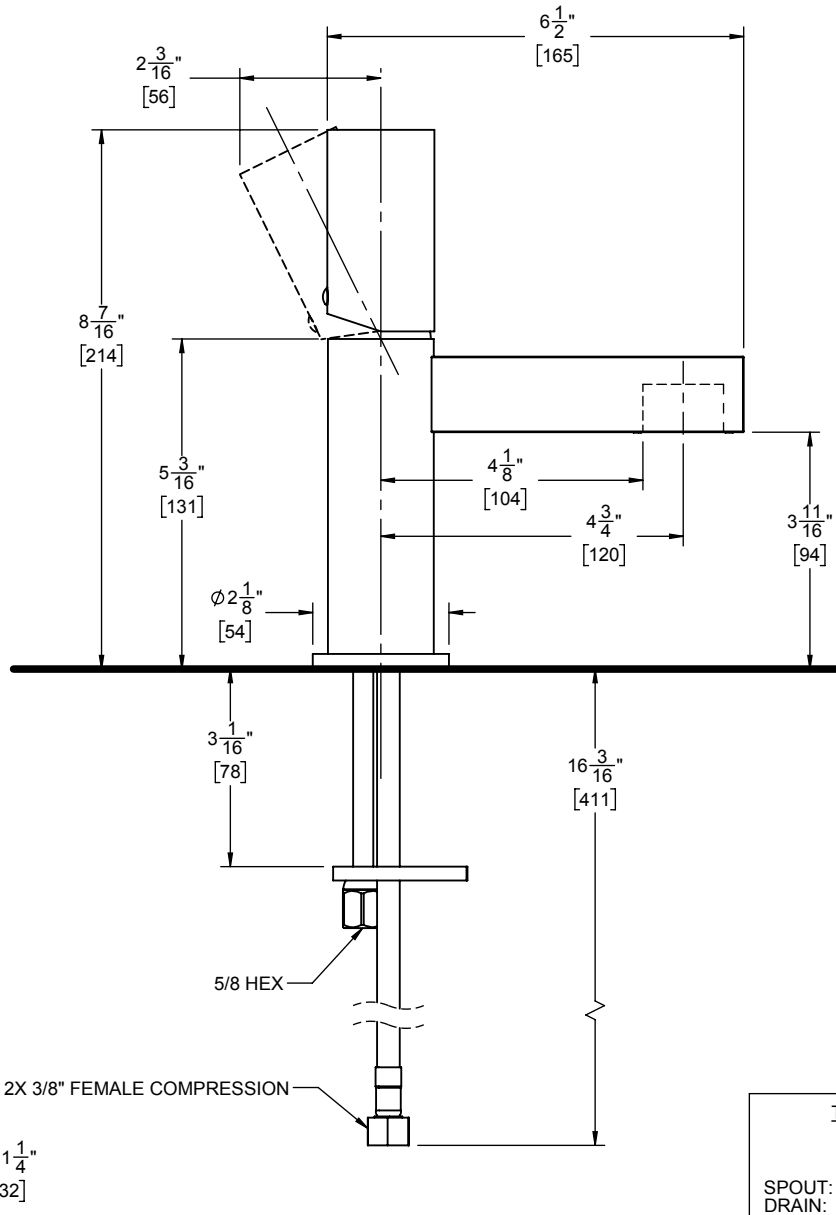
- ASME A112.18.1/CSA B125.1
- NSF/ANSI 61 & NSF/ANSI 372
- CEC / DOE
- EPA WaterSense High Efficiency Lavatory Faucet
- Commonwealth of MA
- ADA compliant



CF-E301BCY-1 SHOWN



E301CY-1  
E301BCY-1  
CF-E301CY-1 SHOWN



THROUGH-HOLE SPECIFICATIONS		
	MIN	RECOMMENDED
SPOUT:	$\phi$ 1-1/4" [32]	$\phi$ 1-1/2" [38]
DRAIN:	$\phi$ 1-1/2" [38]	$\phi$ 1-3/4" [45]

SPECIFICATIONS SUBJECT TO CHANGE WITHOUT NOTICE

DIMENSIONS SHOWN TO NEAREST 1/16"  
[DIMENSIONS SHOWN TO NEAREST 1mm]