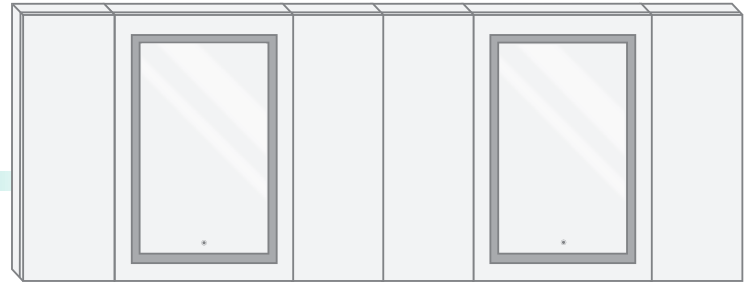


## Features

- Dimmable LED task lighting
- Integrated touch sensor control with memory
- Energy efficient LED lighting 5000K
- 7440 Lumens
- CRI 90+
- Integrated Defogger

## Construction

- Quality polished edge mirror
- Single phase wire installation
- 5 MM Silver Backed Copper Free
- Installation Either Surface Mount
- (Side Mirror Trim Panels included) or Recessed
- Includes installation hardware



## Codes/Standards Applicable

- Conforms to UL Std. 962
- Cert. to CSA Std. C22.2 No.250.0-08
- ETL Intertek 5004931

## Electrical System

- 120Vac, 60Hz, 55W
- Electric Current: 0.45A
- Wattage: 55W

## Model

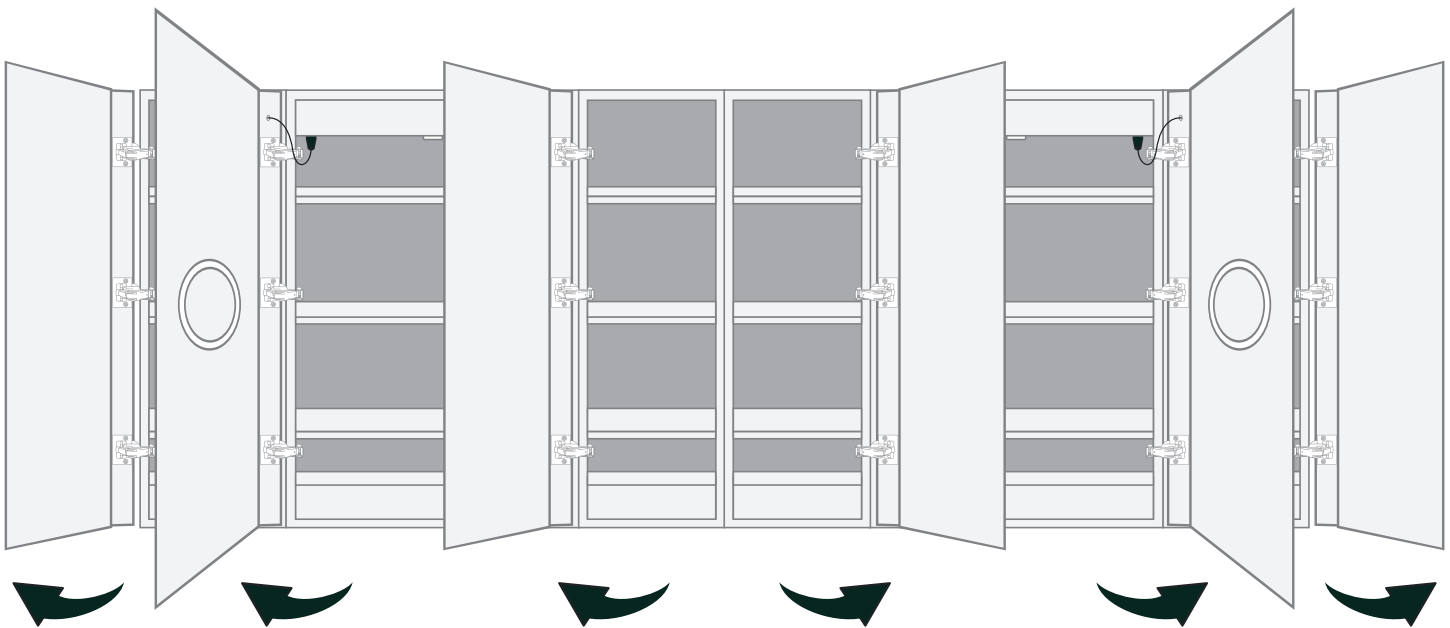
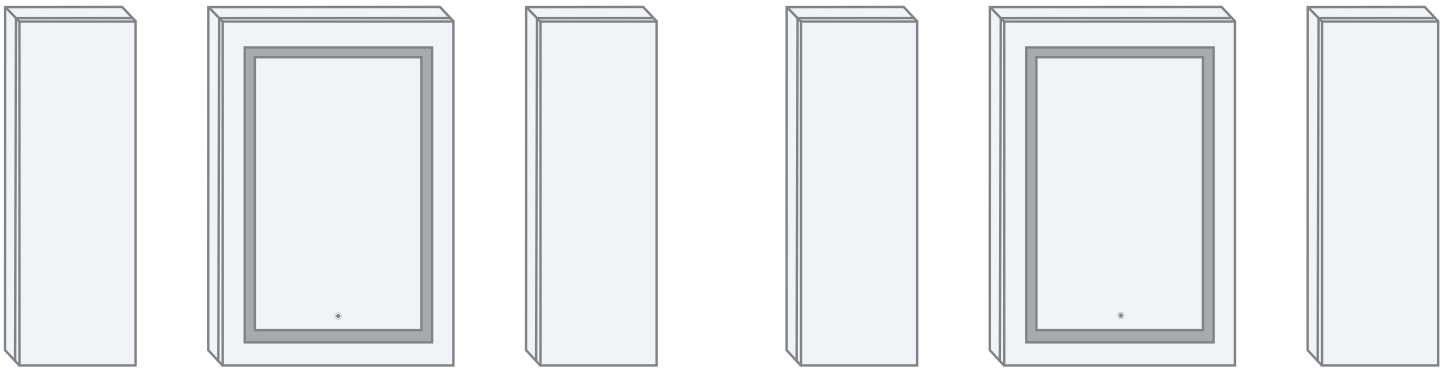
- SVANGE 9636DLLLLRRR Swinging Door
- Included models in this configuration:  
Cabinet 1=1236L Cabinet 2=2436L  
Cabinet 3=1236R Cabinet 4=1236R  
Cabinet 5=2436R Cabinet 6=1236R

## Electrical System

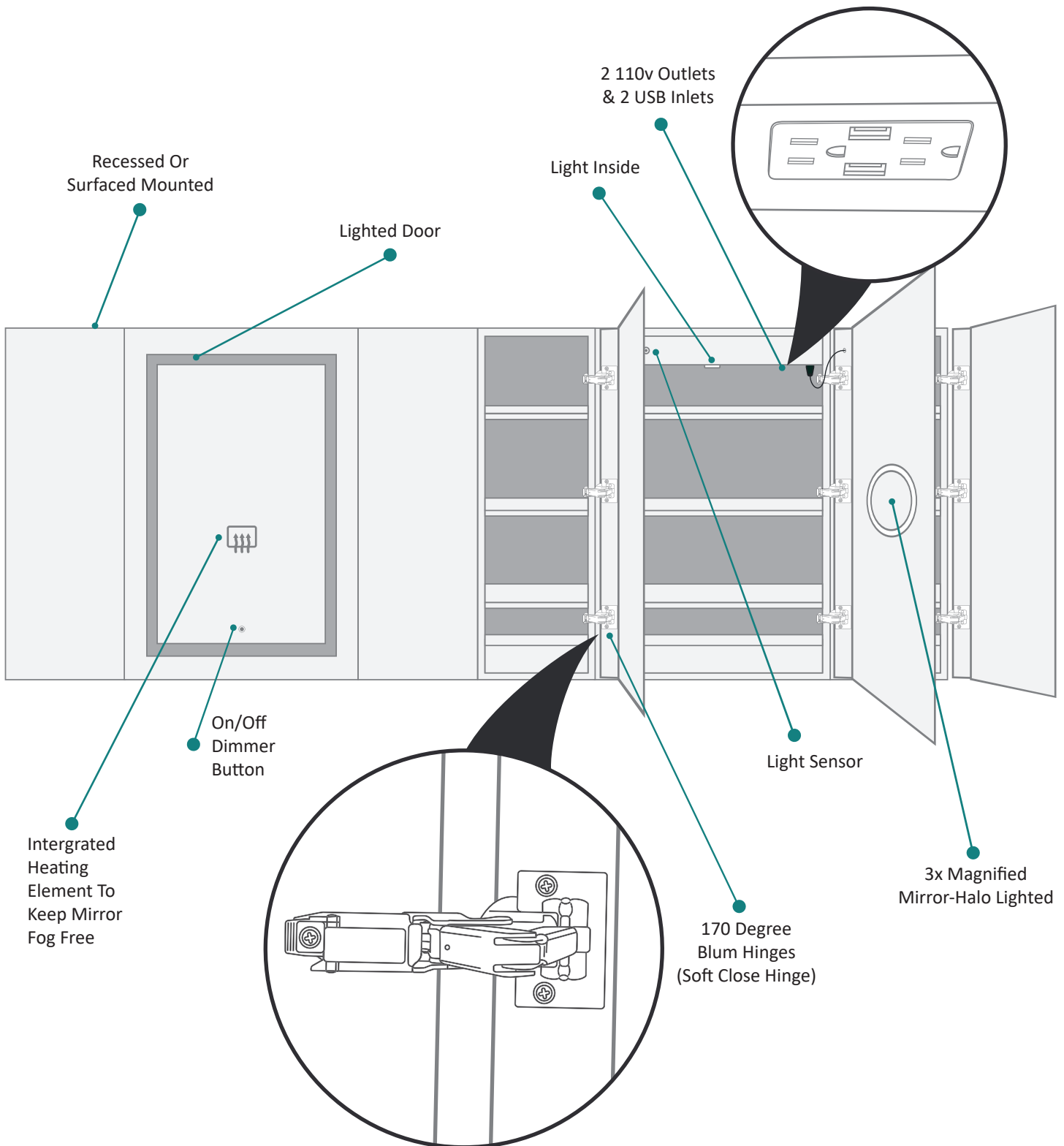
- Performance Requirements: Contains the required
- Supervisory Circuit with the Auto-Monitoring Function as noted by UL 1310
- Input Voltage: Min 112Vac, Nom 125Vac, Max 137Vac
- Frequency:60Hz
- Front Receptacle Current: 102-132Vac Nominal 15A
- USB Output Current:5VDC Nominal 4A

### CABINET CONFIGURATION

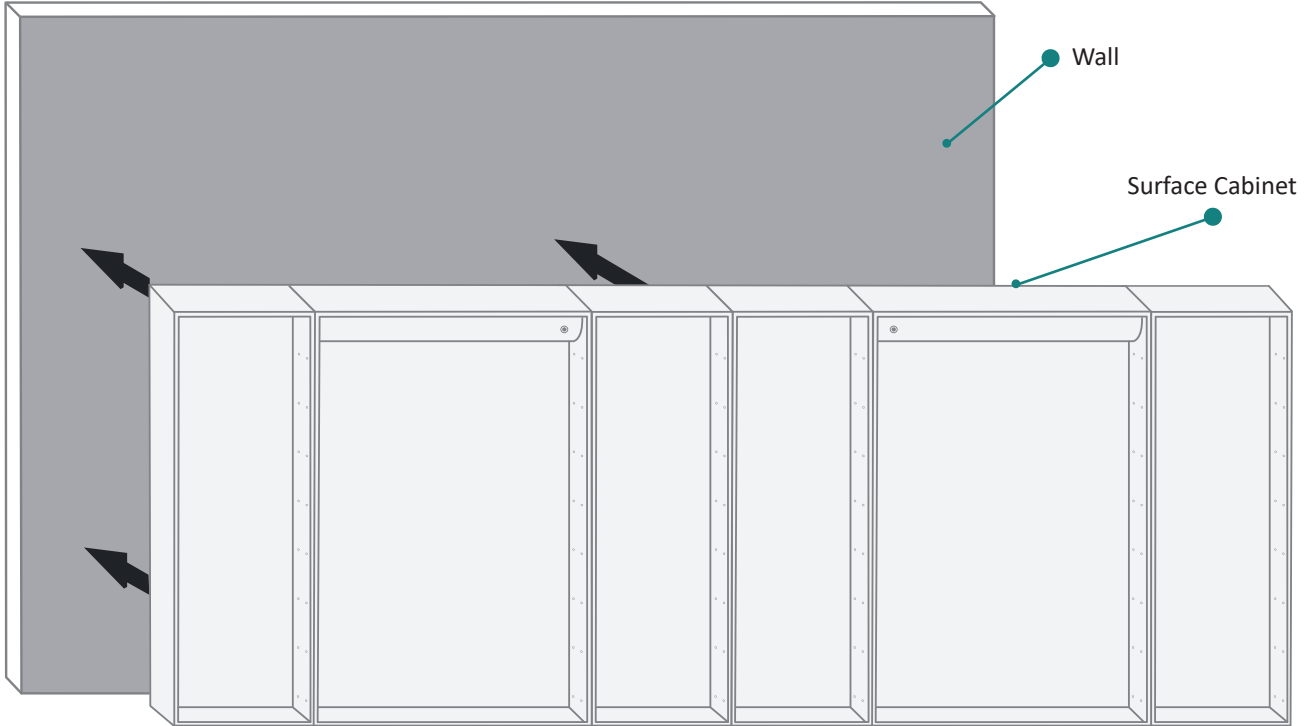
- Included models in this configuration:  
Cabinet 1 = 1236L    Cabinet 2 = 2436L  
Cabinet 3 = 1236L    Cabinet 4 = 1236R  
Cabinet 5 = 2436R    Cabinet 6 = 1236R



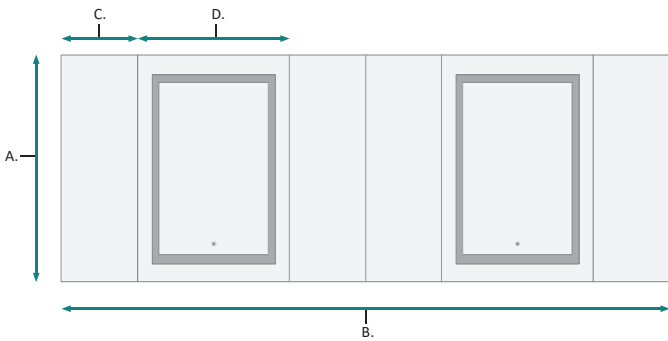
# SVANGE 9636DLLRRR LED Medicine Cabinet - Specification Sheet



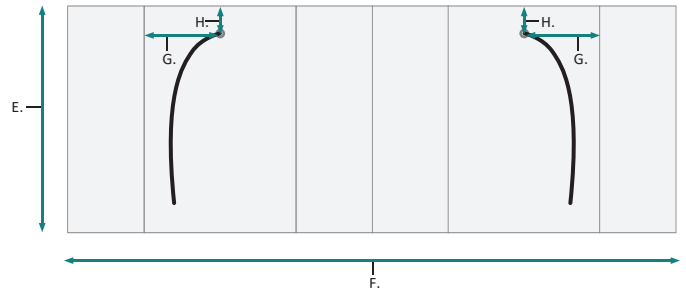
**SURFACE MOUNT**



**FRONT**



**BACK**

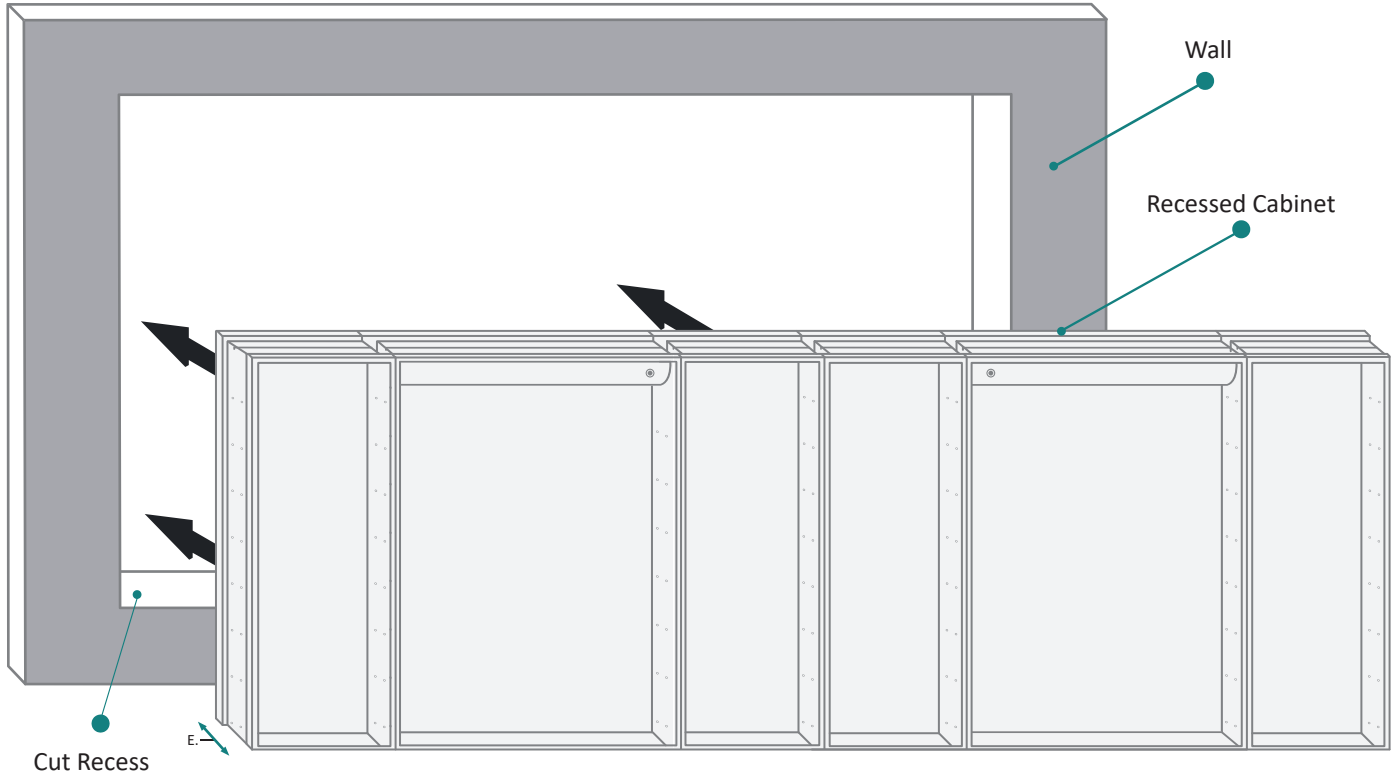


**FRONT & BACKS**

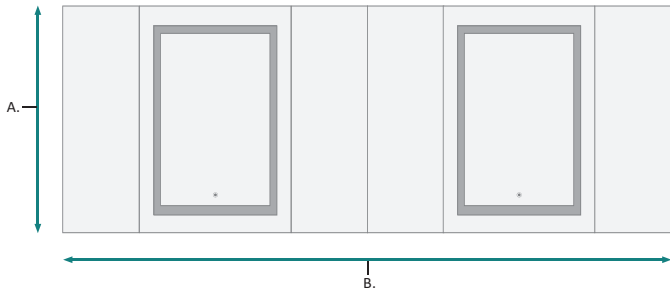
MODEL	A	B	C	D	E	F	G	H
SVANGE 9636DLLRRR	36	96	12	24	34-1/2	87	11-1/4	1-1/8

These measurements are for reference, for best results we suggest you measure actual product as small variations in size are possible

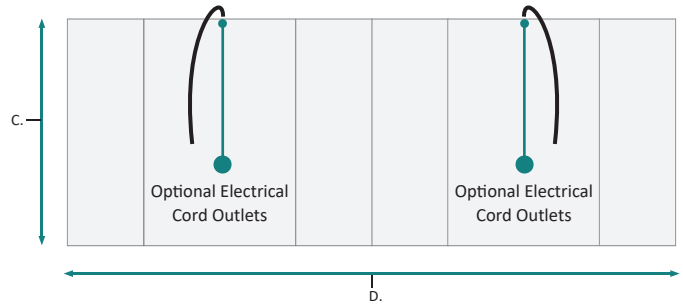
**RECESSED MOUNT**



**FRONT**



**BACK**

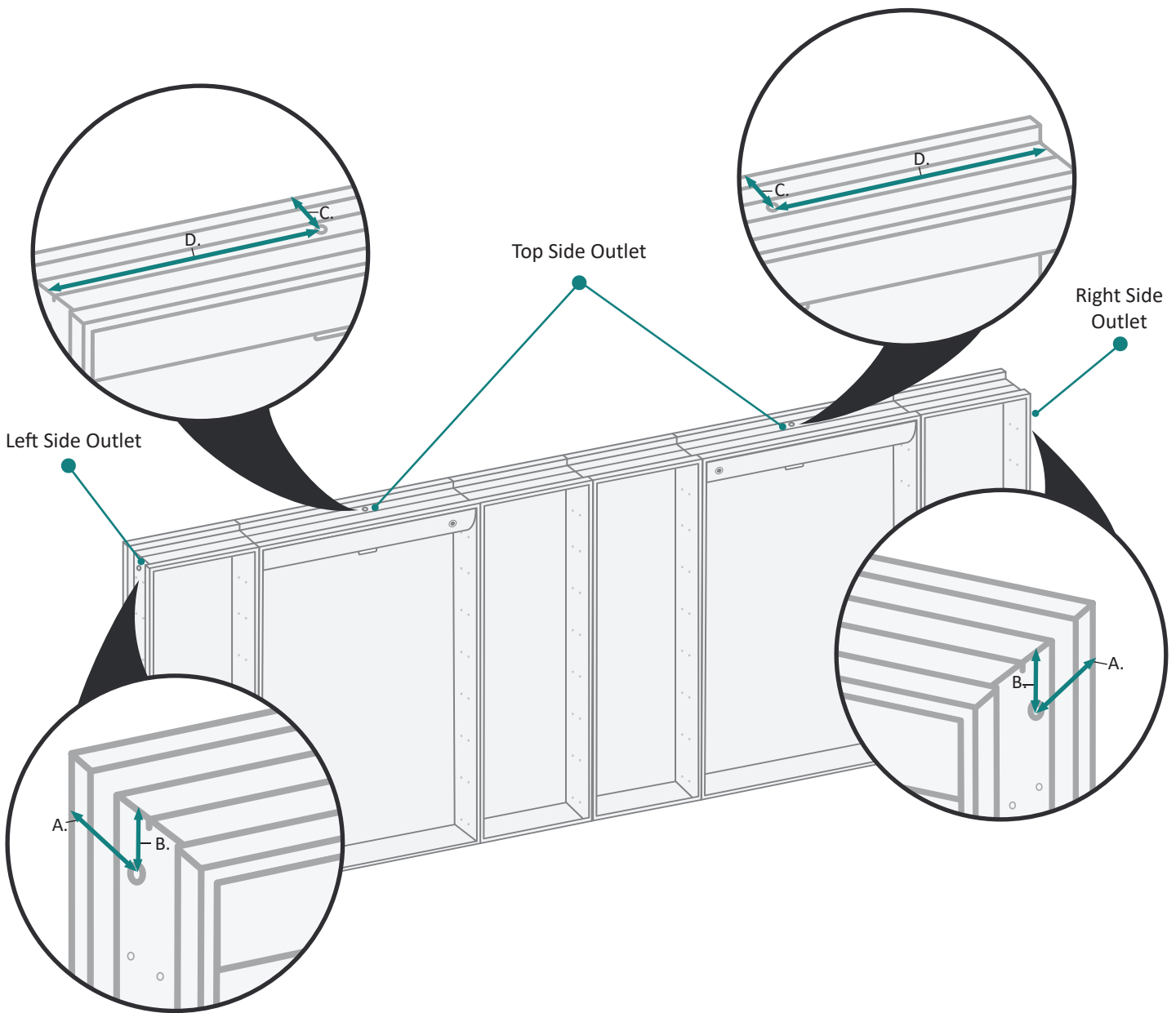


**FRONT & BACKS**

MODEL	A	B	C	D	E
SVANGE 9636DLLRRR	36	96	34-1/2	87	3-7/8

These measurements are for reference, for best results we suggest you measure actual product as small variations in size are possible

**RECESS INSTALLATION OPTIONAL ELECTRICAL CORD LOCATIONS**

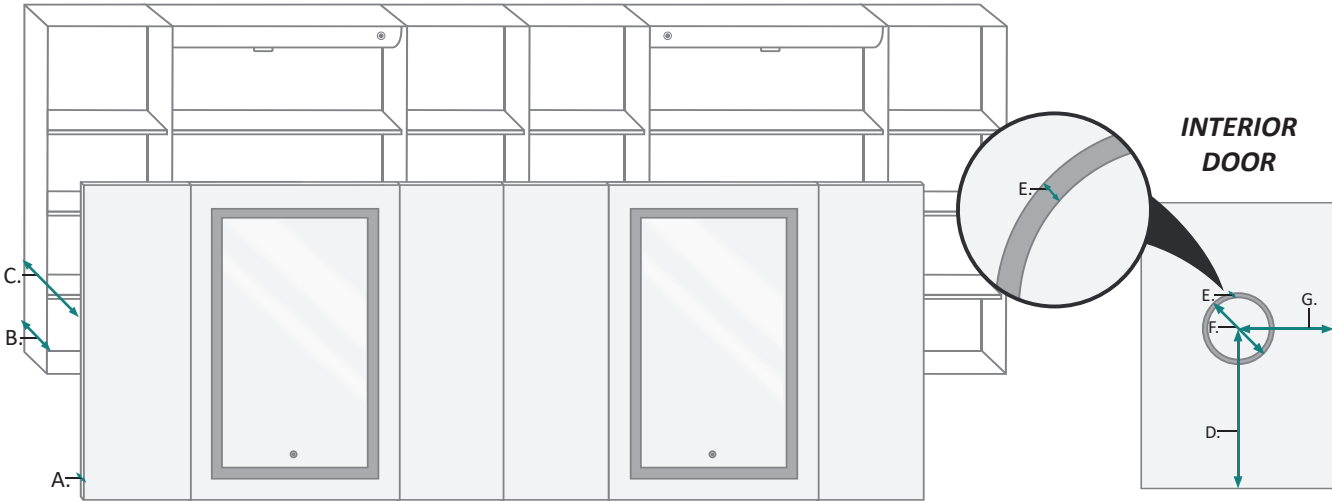


**ELECTRICAL CORD LOCATIONS**

MODEL	A	B	C	D
SVANGE 9636DLLRRR	1-1/2	1-1/8	1-3/8	11-1/4

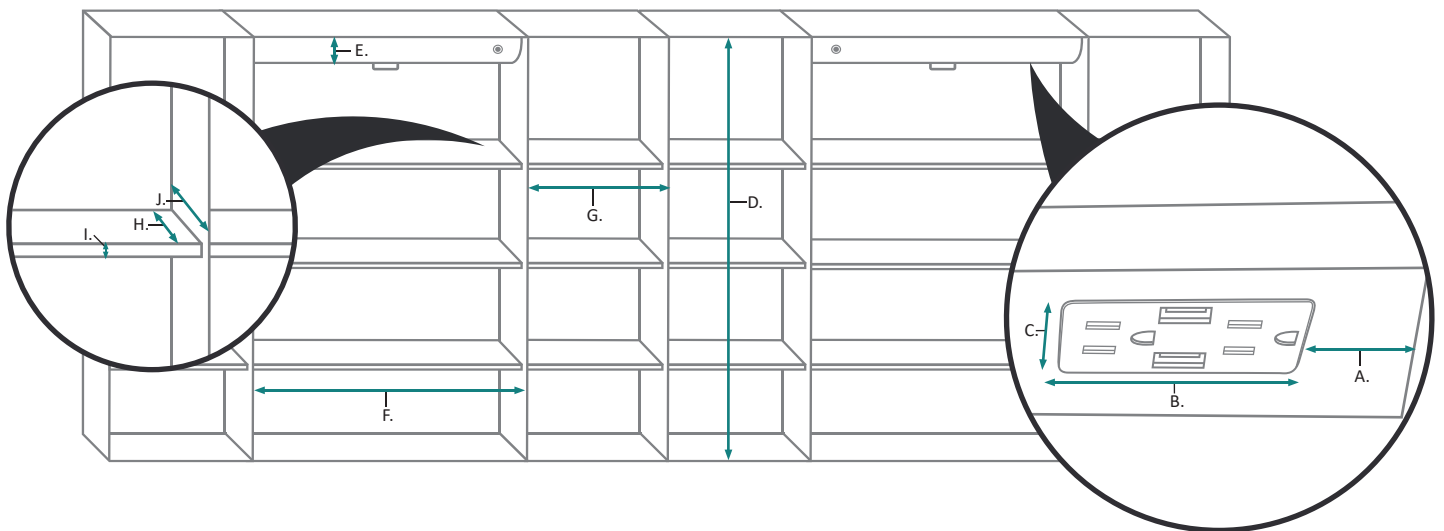
These measurements are for reference, for best results we suggest you measure actual product as small variations in size are possible

# SVANGE 9636DLLRRR LED Medicine Cabinet - Specification Sheet



## DOOR & CABINET

MODEL	A	B	C	D	E	F	G
SVANGE 9636DLLRRR	7/8	3-7/8	4-3/4	18	3/8	5-1/4	11-1/4



## INTERIOR CABINET

MODEL	A	B	C	D	E	F	G	H	I	J
SVANGE 9636DLLRRR	3-3/4	5-5/8	1-1/4	32-1/4	2-1/4	22-1/2	10-1/2	2-3/8	3/8	3-5/8

These measurements are for reference, for best results we suggest you measure actual product as small variations in size are possible