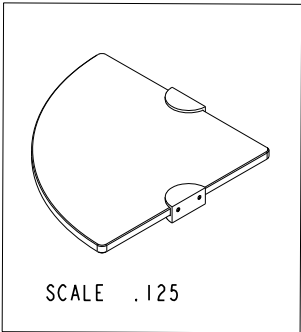
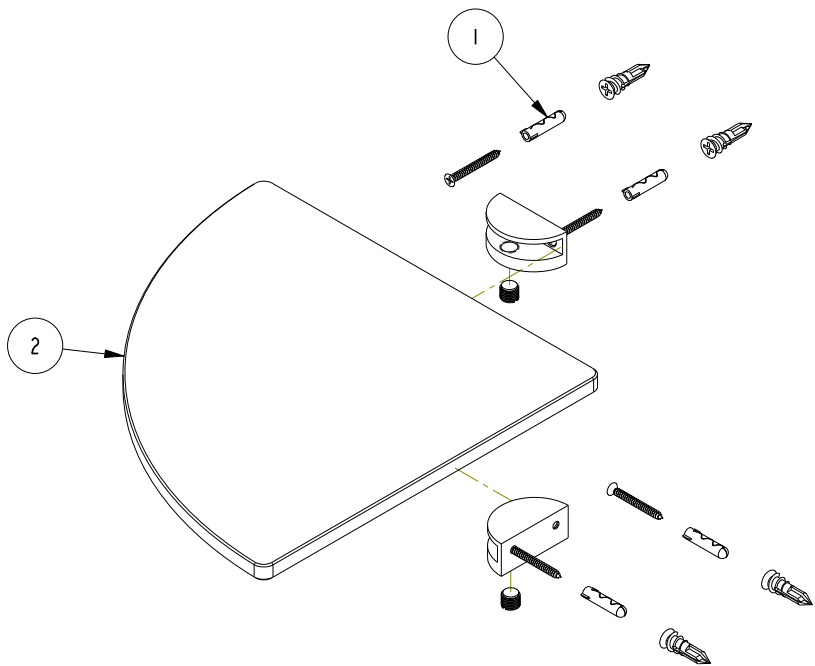


BILL OF MATERIAL (CURRENT LEVEL)				
ITEM	PT/ASSY	DESCRIPTION	TYPE	QTY.
1	0218B-10	SINE 'C' 3/8" SHELF BRACKET-1	ASSEMBLY	2
2	0218C-10TSC	3/8" SHELF GLASS	PART	1



COPYRIGHT 2005 GINGER. THESE DRAWINGS AND THE DESIGNS DEPICTED HEREIN ARE THE PROPRIETARY PROPERTY OF GINGER. ANY USE OR REPRODUCTION IS SUBJECT TO THE EXPRESS APPROVAL OF GINGER. UNAUTHORIZED USE IS STRICTLY PROHIBITED. ALL RIGHTS RESERVED.

GINGER

2001 CARNEGIE AVE.
SANTA ANA CA 92705
(949) 417-5207

CORNER TRAY, 3/8" TEMP. GLASS

ASSY. NO. 0218CT-10-10

SCALE .250

REF. -

SHEET 1 OF 2

A

EN-2591

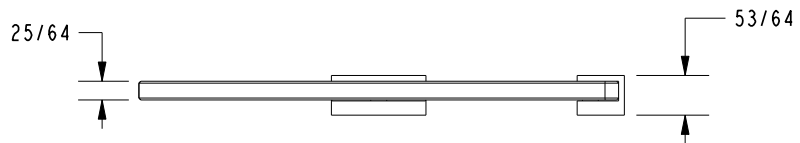
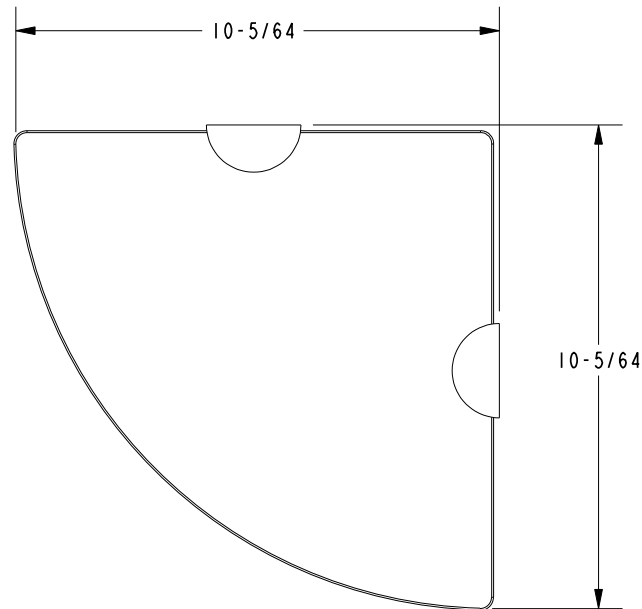
08/28/13

REV

REV DESC

DATE

SPECIFICATION DWG



DIMENSIONS ARE IN INCHES AND AN APPROXIMATION OF A TYPICAL INSTALLATION

COPYRIGHT 2005 GINGER. THESE DRAWINGS AND THE DESIGNS DEPICTED HEREIN ARE THE PROPRIETARY PROPERTY OF GINGER. ANY USE OR REPRODUCTION IS SUBJECT TO THE EXPRESS APPROVAL OF GINGER. UNAUTHORIZED USE IS STRICTLY PROHIBITED. ALL RIGHTS RESERVED.

GINGER		2001 CARNEGIE AVE. SANTA ANA CA 92705 (949) 417-5207
DWG NO.	0218CT-10-10	REV A
SCALE	.250	REF. - SHEET 2 OF 2