

Toilet Tissue Holder **1108N**

Features

- Solid brass construction
- Double-post design with spring-loaded, non-separating roller
- Complements Chelsea product series

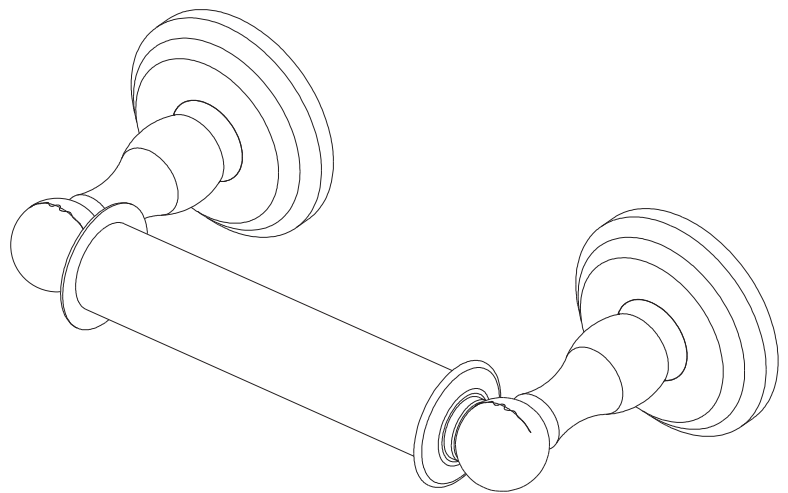
Codes / Standards Compliance

Meets or exceeds the following at date of manufacture:

- All applicable US Federal and State material regulations

Colors / Finishes

- ORB: Oil Rubbed Bronze
- PC: Polished Chrome
- PN: Polished Nickel
- SN: Satin Nickel
- Other: Refer to the Ginger catalog for additional color/finish options.



Specified Model

Model	Description	Colors Finishes				
1108N	Toilet Tissue Holder	<input type="checkbox"/> ORB	<input type="checkbox"/> PC	<input type="checkbox"/> PN	<input type="checkbox"/> SN	<input type="checkbox"/> Other

Product Specification: Add "Color / Finish" Suffix to Model Number Below.

The Toilet Tissue Holder shall be made of solid brass construction and incorporate a double-post design utilizing a non-separating, spring-loaded roller. Toilet Tissue Holder shall complement Ginger Chelsea product series. Toilet Tissue Holder shall be Ginger Model 1108N/_____.

1108N

Product Dimensions (units are in inches)

