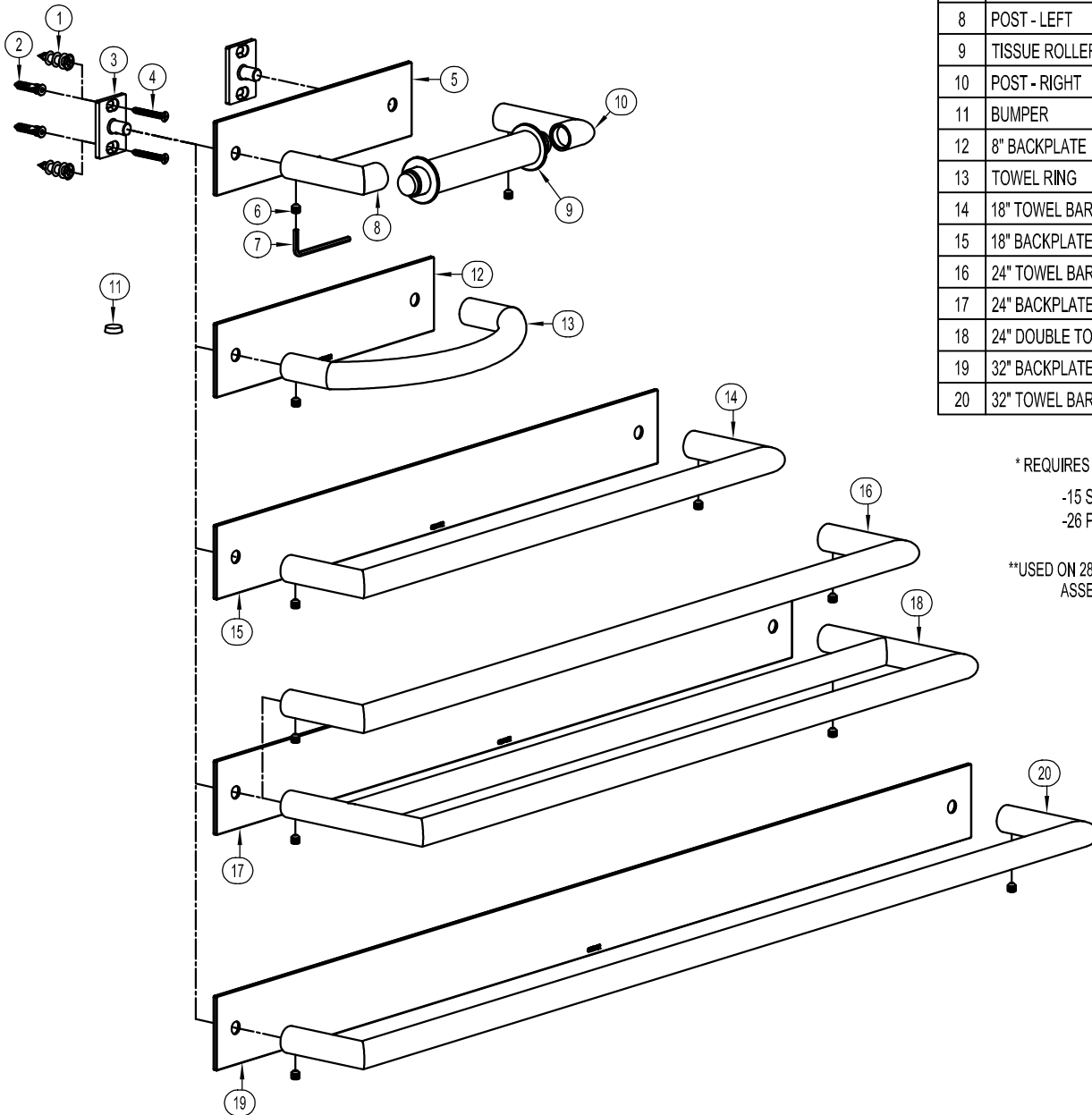




SURFACE DOUBLE POST ACCESSORIES

ASSEMBLED CONFIGURATION	PART NO.
18" TOWEL BAR	2802
24" TOWEL BAR	2803
32" TOWEL BAR	2804
8" TOWEL RING	2805
DOUBLE POST TISSUE HOLDER	2808
24" DOUBLE TOWEL BAR	2822/24

Parts List		
ITEM	PART NAME	PART NO.
1	DRY WALL ANCHOR	EZMZ
2	No.8 WALL ANCHOR	CA
3	MOUNTING BRACKET	28XX
4	No.8 x 1 1/4" TAP SCREW	8-1.25PFS
5	7" BACKPLATE	2800/7*
6	M6 x 6 SET SCREW	SM6-6S
7	M3 HEX KEY	M3HK
8	POST - LEFT	2808PL*
9	TISSUE ROLLER ASSEMBLY	2808T*
10	POST - RIGHT	2808PR*
11	BUMPER	B2800**
12	8" BACKPLATE	2800/8*
13	TOWEL RING	2805T*
14	18" TOWEL BAR	2852*
15	18" BACKPLATE	2800/18*
16	24" TOWEL BAR	2853*
17	24" BACKPLATE	2800/24*
18	24" DOUBLE TOWEL BAR	2822P/24*
19	32" BACKPLATE	2800/30*
20	32" TOWEL BAR	2854*



\* REQUIRES FINISH CODE BELOW

- 15 SATIN NICKEL
- 26 POLISHED CHROME

\*\*USED ON 2802, 2803, 2804, 2822/24 ASSEMBLIES ONLY