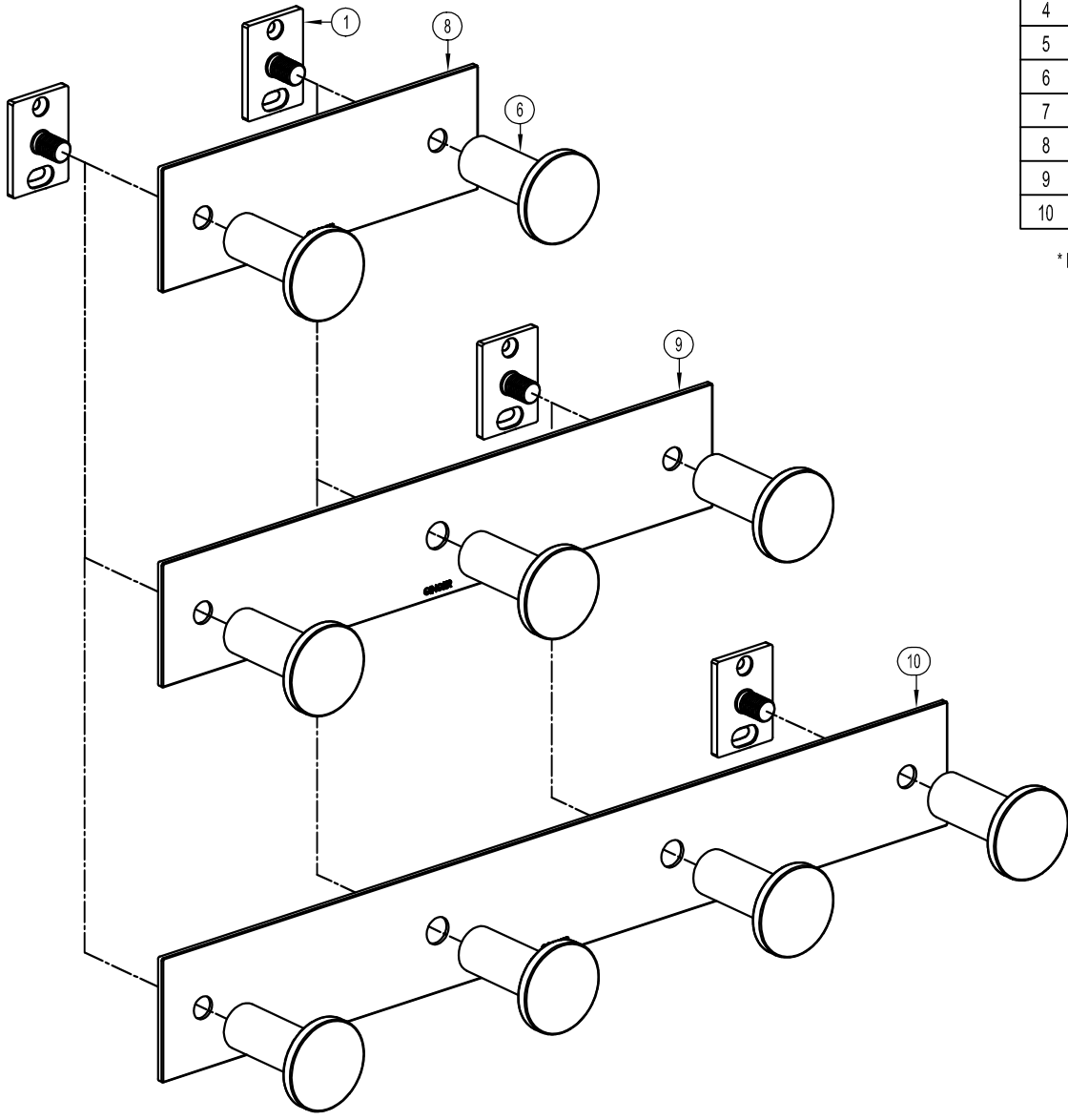
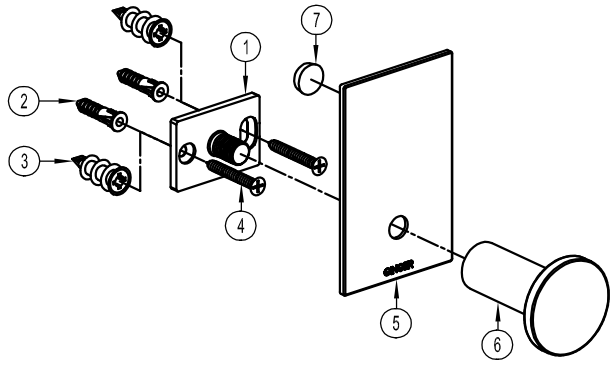




SURFACE HOOKS

ASSEMBLED CONFIGURATIONS PART NO.

SINGLE HOOK 2810  
 DOUBLE HOOK 2810D  
 TRIPLE HOOK 2810T  
 QUADRUPLE HOOK 2810Q



Parts List		
ITEM	PART NAME	PART NO.
1	MOUNTING BRACKET	28XXB
2	No.8 WALL ANCHOR	CA
3	DRY WALL ANCHOR	EZMZ
4	No.8 x 1 1/4" TAP SCREW	8-1.25PFS
5	BACKPLATE	2800*
6	HOOK POST	2810P*
7	BUMPER	B2800
8	5" BACKPLATE	2800/5*
9	10" BACKPLATE	2800/10*
10	15" BACKPLATE	2800/15*

\* REQUIRES FINISH CODE BELOW

-15 SATIN NICKEL

-26 POLISHED CHROME