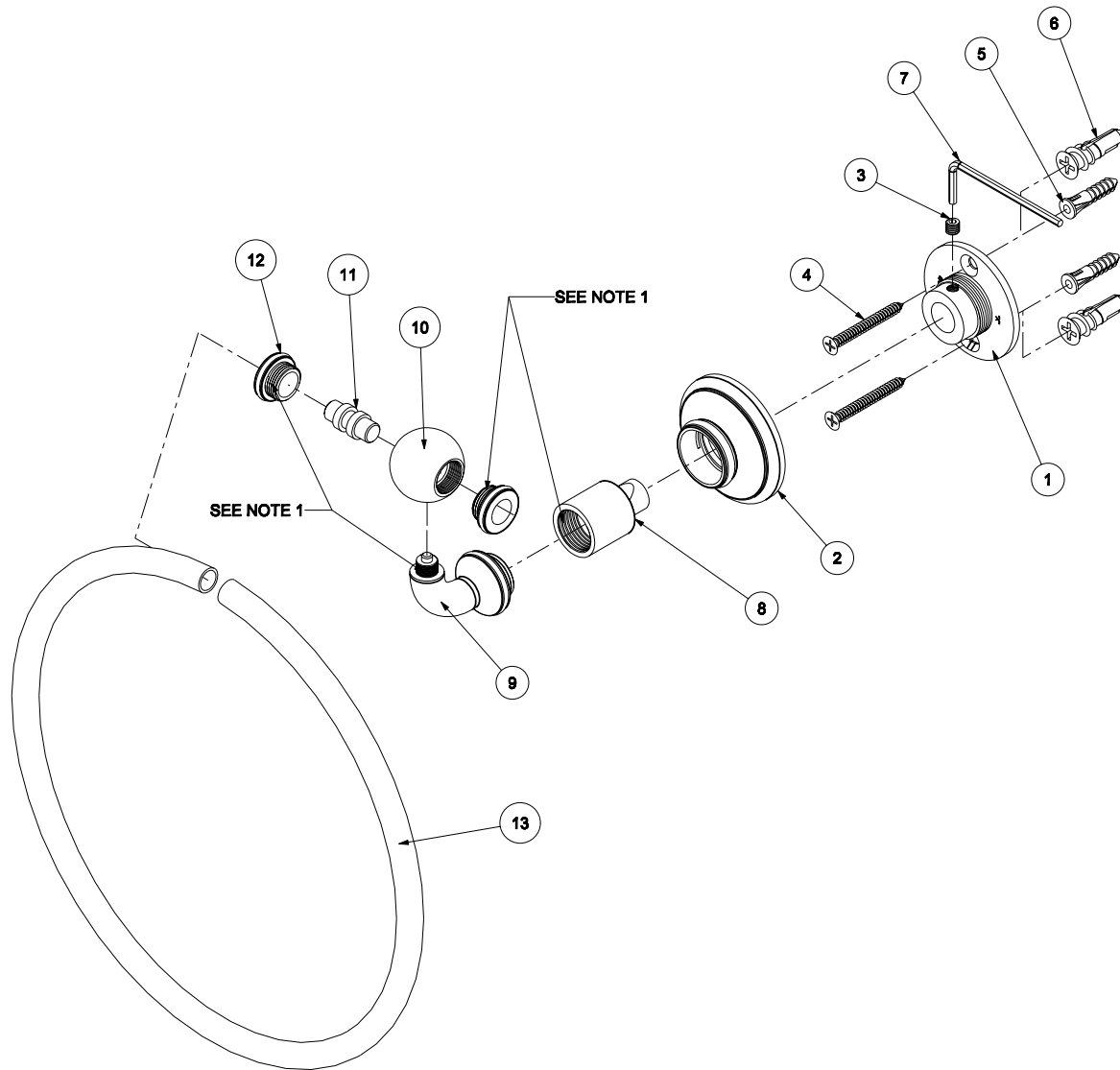


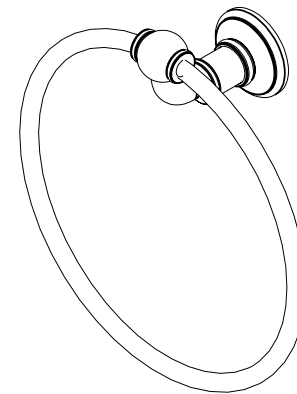
BILL OF MATERIAL

ITEM	PT/ASSY	DESCRIPTION	TYPE	QTY.	DWG.NO.
1	45XX	MOUNTING FLANGE	PART	1	45A-002
2	4500	ROSETTE	PART	1	45A-003
3	SM5-5S	M5 x5 STAINLESS STEEL SET SCREW	PART	1	-
4	8_1_5PFZ	NO.8 x 1-1/2" PHILLIPS FLAT HEAD	PART	2	-
5	GCA	NO. 8 -10 WALL ANCHOR PLASTIC	PART	2	-
6	SSPM	DRYWALL ANCHOR	PART	2	-
7	M2_5HK	2.5MM ALLOY STEEL HEX KEY	PART	1	-
8	4505P	TOWEL RING POST	PART	1	45A-025
9	4505A	TOWEL RING ARM	PART	1	45A-027
10	4505F	TOWEL RING FINIAL	PART	1	45A-026
11	XX05C	TOWEL RING COUPLER	PART	1	COM-003
12	4521FL	TOWEL RING FLANGE	PART	2	45A-022
13	XX05T-8	8" TOWEL RING	PART	1	COM-002



SEE NOTE 1

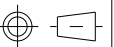
SEE NOTE 1



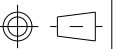
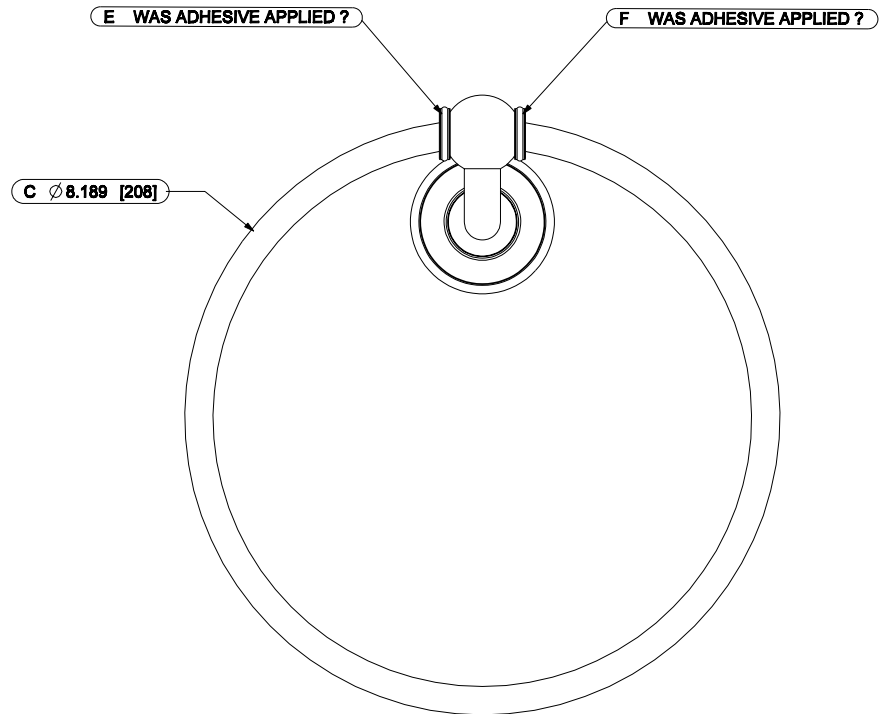
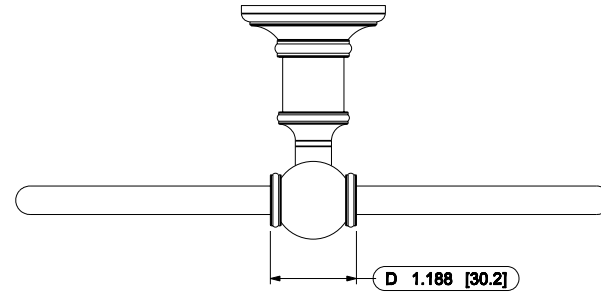
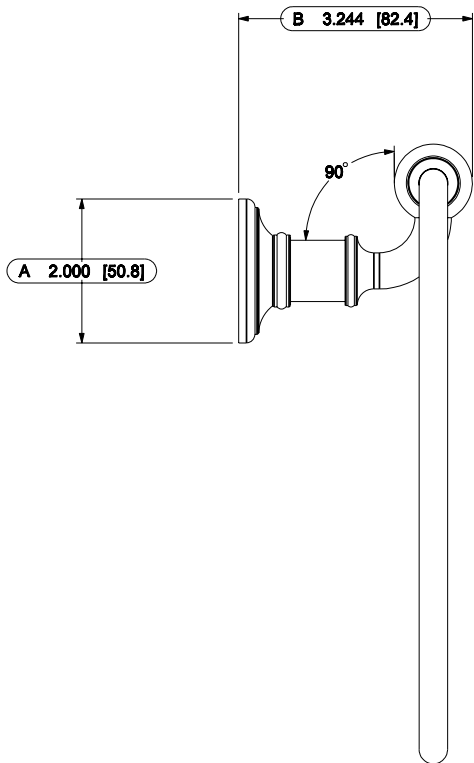
SCALE 0.250

ASSEMBLY NOTES:
1. APPLY PERMANENT THREAD LOCKER (LOCTITE 262).

FINISHES:AGD- ANTIQUE GOLD, A8- ANTIQUE SILVER 3- POLISHED BRASS, 10B- OIL RUBBED BRONZE, 14- POLISHED NICKEL, 15- SATIN NICKEL, 15A- ANTIQUE NICKEL, 26 POLISHED CHROME				
MATERIAL:STAINLESS MOUNTING HARDWARE, VARIOUS BRASSES, TEMPERED GLASS				
PART NO.	4505	8" TOWEL RING		
DATE:10.31.06	REV.DATE 6.27.07	REV. B	SCALE 3:8	COLUMNAR



GINGER
DWG.NO.
4505



FINISHES: 0- ANTIQUE GOLD, 1- ANTIQUE SILVER 3- POLISHED BRASS, 10- OIL RUBBED BRONZE, 14- POLISHED NICKEL, 15- SATIN NICKEL, 15A- ANTIQUE NICKEL, 26 POLISHED CHROME

MATERIAL: STAINLESS MOUNTING HARDWARE, VARIOUS BRASSES, TEMPERED GLASS

PART NO. 4505

8" TOWEL RING

DATE: 10.31.06

REV. DATE: 6.27.07

REV. B

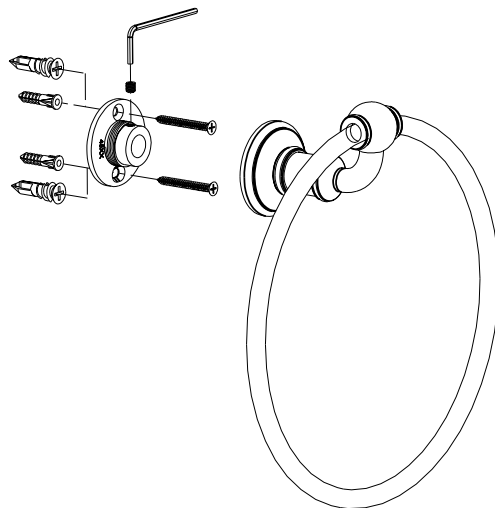
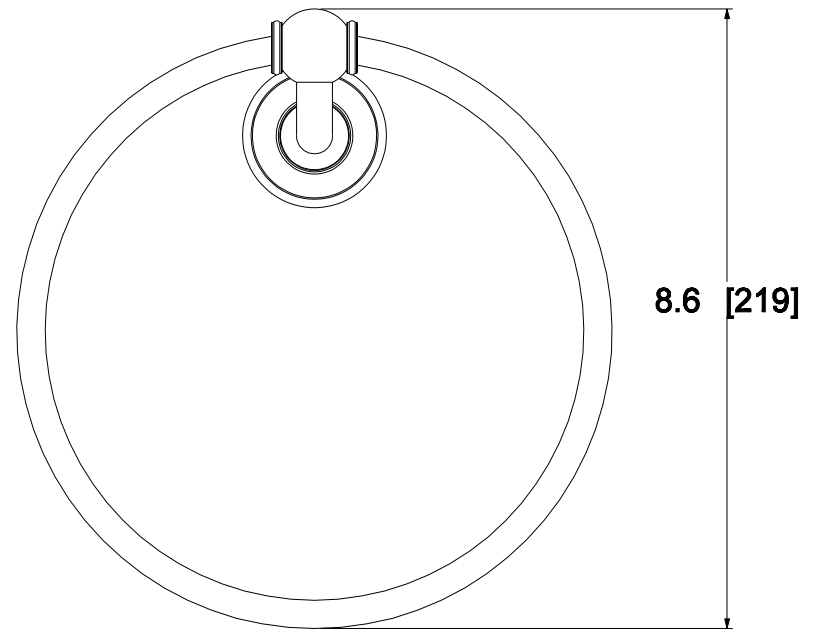
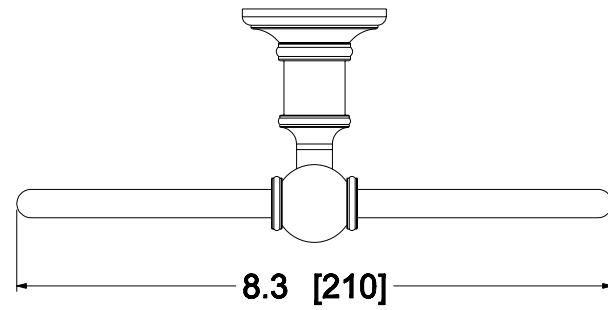
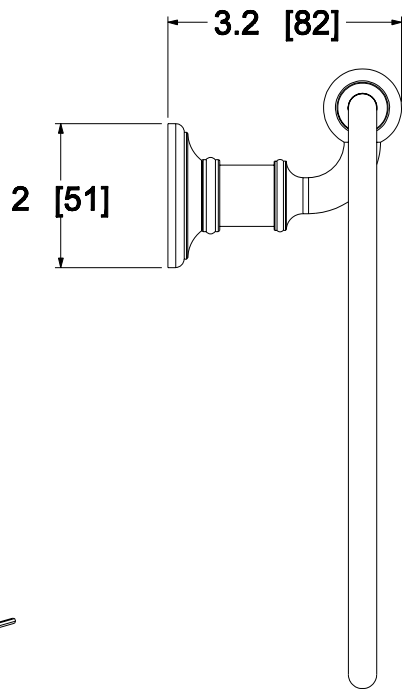
SCALE 3:8

COLUMNAR

GINGER

DWG. NO.

4505



FINISHES: 0- ANTIQUE GOLD, 1- ANTIQUE SILVER, 10- OIL RUBBED BRONZE, 14- POLISHED NICKEL, 15- SATIN NICKEL, 20- POLISHED CHROME		UNIT: INCH [MM]	GINGER
MATERIAL: VARIOUS BRASSES, STAINLESS STEEL MOUNTING HARDWARE		WEIGHT: 15 OZ. [425 G.]	
PART NO.	4505	8" TOWEL RING	
DATE: 4.12.07	REV. DATE:	SCALE 3:8	COLUMNAR
			DWG. NO. PD-4505

