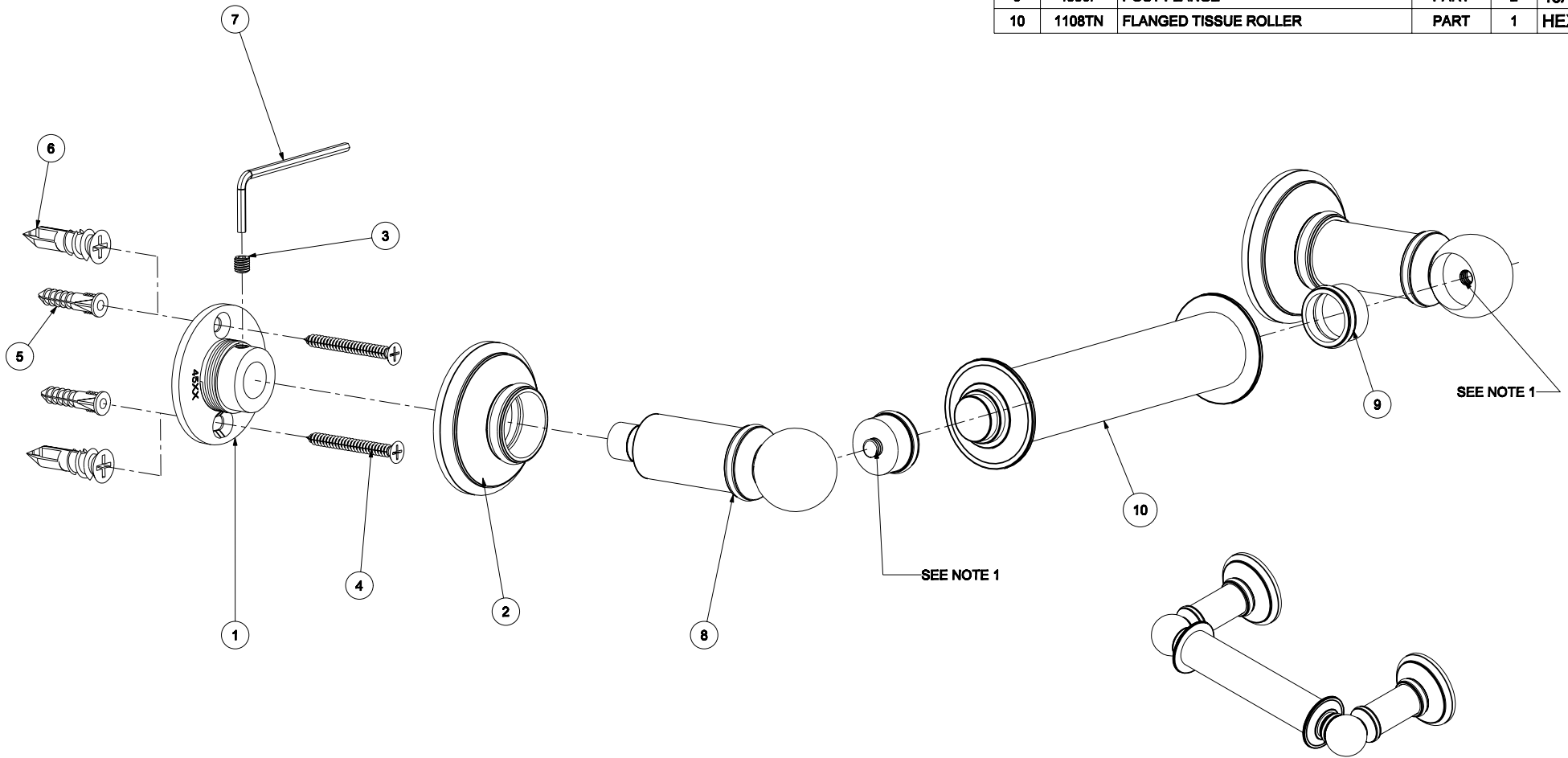


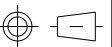
BILL OF MATERIAL

ITEM	PT/ASSY	DESCRIPTION	TYPE	QTY.	DWG.NO.
1	45XX	MOUNTING FLANGE	PART	2	45A-002
2	4500	ROSETTE	PART	2	45A-003
3	SM5-5S	M5 x5 STAINLESS STEEL SET SCREW	PART	2	-
4	8_1_5PFZ	NO.8 x 1-1/2" PHILLIPS FLAT HEAD	PART	4	-
5	GCA	NO. 8 -10 WALL ANCHOR PLASTIC	PART	4	-
6	SSPM	DRYWALL ANCHOR	PART	4	-
7	M2_5HK	2.5MM ALLOY STEEL HEX KEY	PART	1	-
8	4550P	TOWEL BAR/ TISSUE HOLDER POST	PART	2	45A-004
9	4550F	POST FLANGE	PART	2	45A-005
10	1108TN	FLANGED TISSUE ROLLER	PART	1	HEX-018

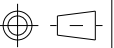
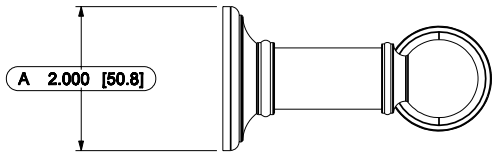
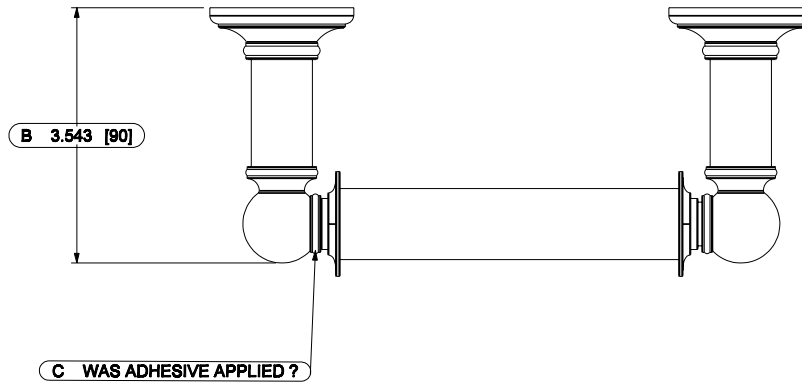


ASSEMBLY NOTES:
 1. APPLY PERMANENT THREAD LOCKER (LOCTITE 262).

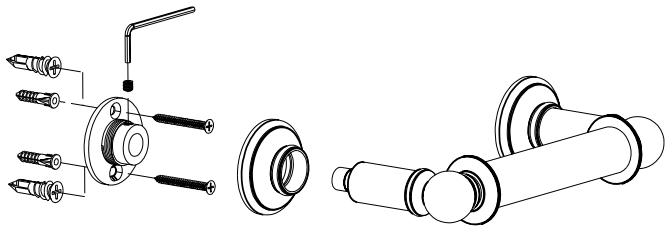
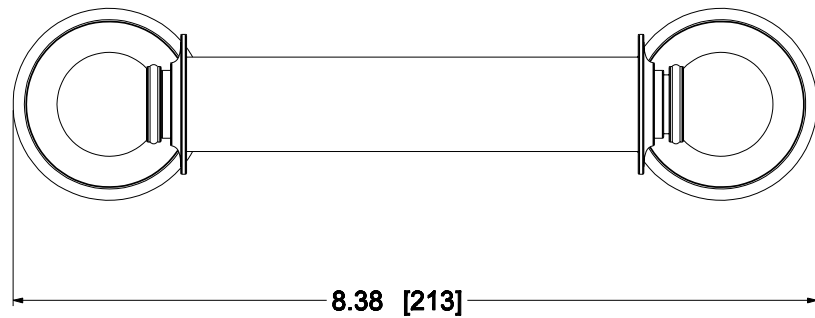
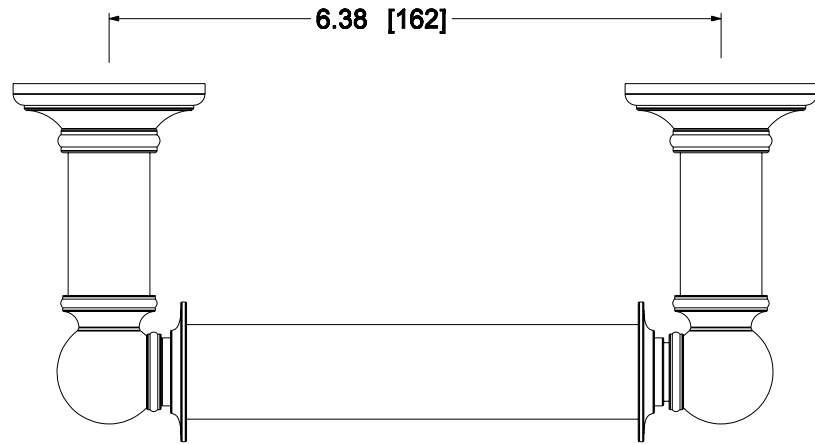
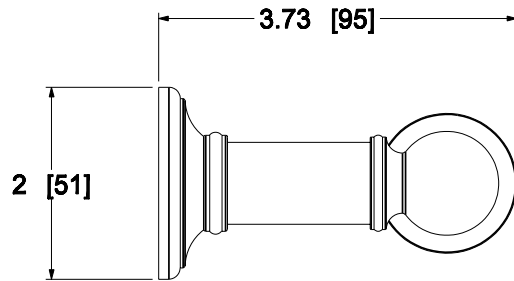
SCALE 0.250



FINISHES:AGD- ANTIQUE GOLD, AS- ANTIQUE SILVER, 10B- OIL RUBBED BRONZE,14- POLISHED NICKEL, 15- SATIN NICKEL, 26 POLISHED CHROME					GINGER
MATERIAL: STAINLESS MOUNTING HARDWARE, VARIOUS BRASSES					
PART NO.	4508N	DOUBLE POST TISSUE HOLDER			
DATE:6.28.07	REV.DATE	REV.A	SCALE 1:2	COLUMNAR	DWG.NO. 4508N



FINISHES:AGD- ANTIQUE GOLD, AS- ANTIQUE SILVER, 10B- OIL RUBBED BRONZE,14- POLISHED NICKEL, 15- SATIN NICKEL, 26 POLISHED CHROME					GINGER DWG.NO. 4508N
MATERIAL: STAINLESS MOUNTING HARDWARE, VARIOUS BRASSES					
PART NO.	4508N	DOUBLE POST TISSUE HOLDER			
DATE:6.28.07	REV.DATE	REV.A	SCALE 3:8	COLUMNAR	



FINISHES: AGD- ANTIQUE GOLD, AS- ANTIQUE SILVER, 10B- OIL RUBBED BRONZE, 14- POLISHED NICKEL, 16- SATIN NICKEL, 26 POLISHED CHROME		UNIT: INCH [MM]	GINGER
MATERIAL: STAINLESS MOUNTING HARDWARE, VARIOUS BRASSES		WEIGHT: 1 LBS 10 OZ. [728G.]	
PART NO.	4508N	DOUBLE POST TISSUE HOLDER	
DATE: 4.16.07	REV. DATE:	SCALE 1:2	COLUMNAR
			DWG. NO. PD-4508N

