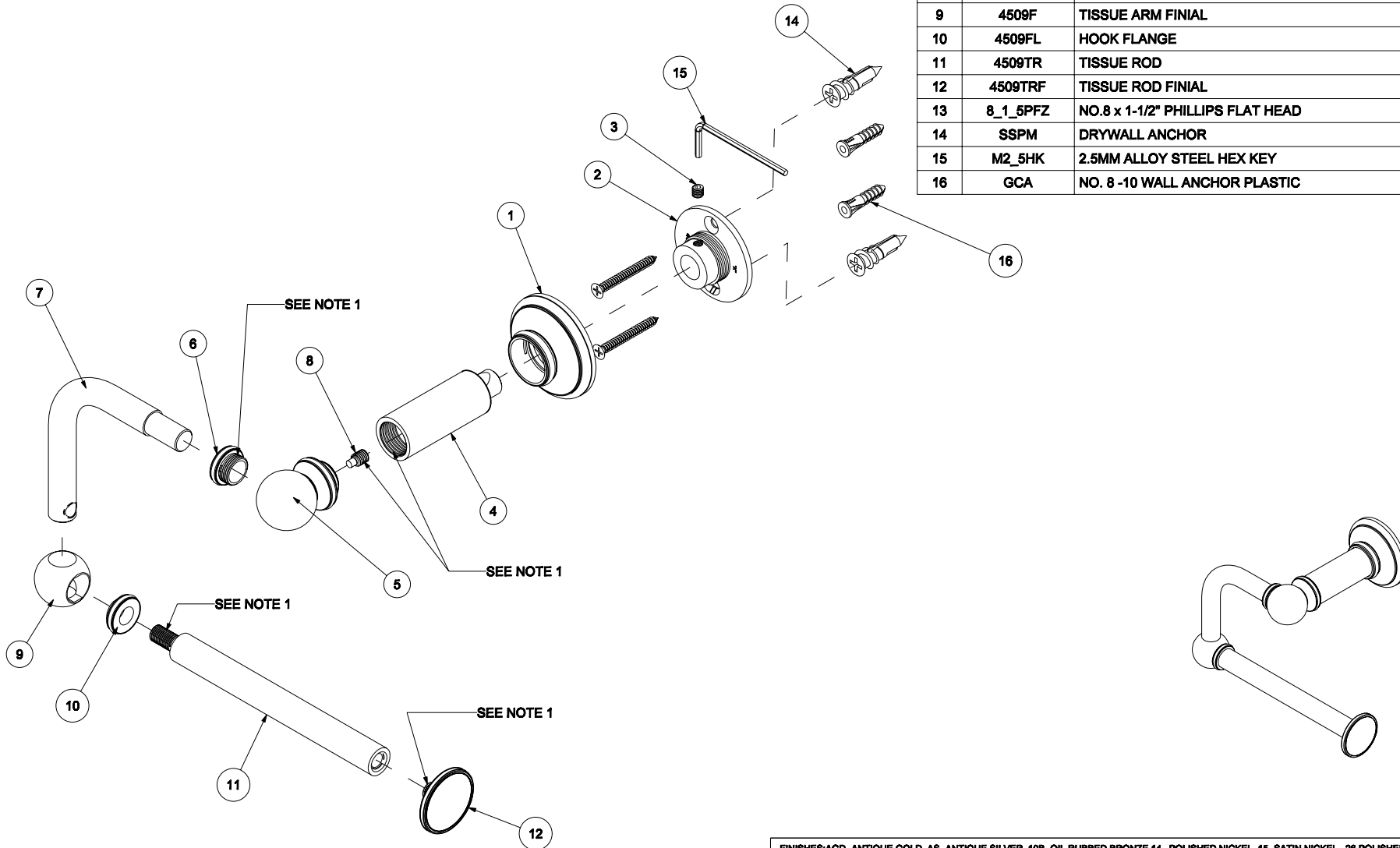


### BILL OF MATERIAL

ITEM	PT/ASSY	DESCRIPTION	QTY.	DWG.NO.
1	4500	ROSETTE	1	45A-003
2	45XX	MOUNTING FLANGE	1	45A-002
3	SM5-5S	M5 x5 STAINLESS STEEL SET SCREW	1	-
4	4509P	HANGING TOILET TISSUE HOLDER POST	1	45A-079
5	4521F	OPEN TOWEL RING FINIAL	1	45A-026
6	4511FL	HOOK FLANGE	1	45A-022
7	4509A	ARM	1	45A-078
8	SM6-10DS	M6 x 10MM DOG POINT STAINLESS STEEL SET SCREW	1	-
9	4509F	TOISSUE ARM FINIAL	1	45A-080
10	4509FL	HOOK FLANGE	1	45A-081
11	4509TR	TOISSUE ROD	1	45A-082
12	4509TRF	TOISSUE ROD FINIAL	1	45A-083
13	8_1_5PFZ	NO.8 x 1-1/2" PHILLIPS FLAT HEAD	2	-
14	SSPM	DRYWALL ANCHOR	2	-
15	M2_5HK	2.5MM ALLOY STEEL HEX KEY	1	-
16	GCA	NO. 8 -10 WALL ANCHOR PLASTIC	2	-



**ASSEMBLY NOTES:**  
 1. APPLY PERMANENT THREAD LOCKER (LOCTITE 262 OR EQUIVALENT) TO THREADS.

FINISHES:AGD- ANTIQUE GOLD, AS- ANTIQUE SILVER, 10B- OIL RUBBED BRONZE, 14- POLISHED NICKEL, 15- SATIN NICKEL, 26 POLISHED CHROME

MATERIAL: VARIOUS BRASSES AND STAINLESS STEEL HARDWARE

PART NO. 4509

**HANGING TOILET TISSUE HOLDER**

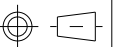
DATE:4.6.07

REV.DATE

REV.A

SCALE 3:8

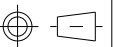
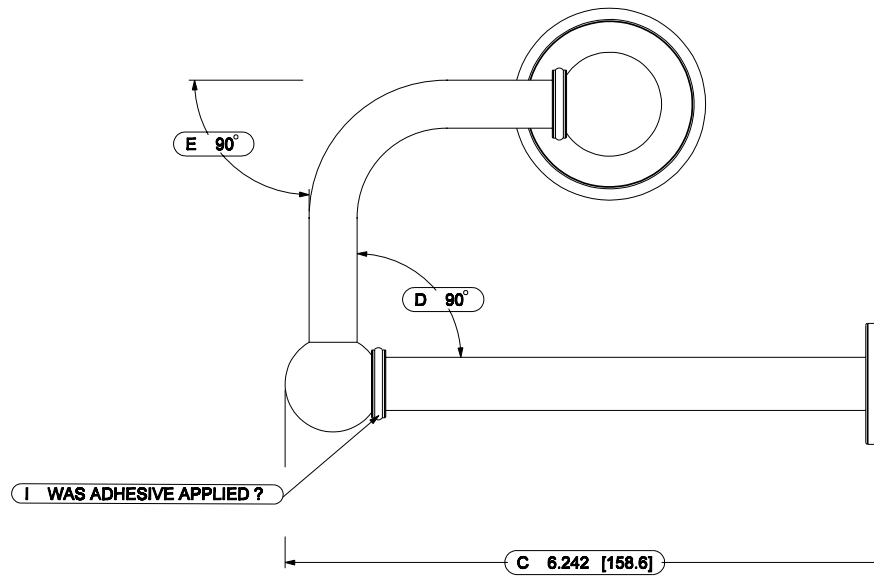
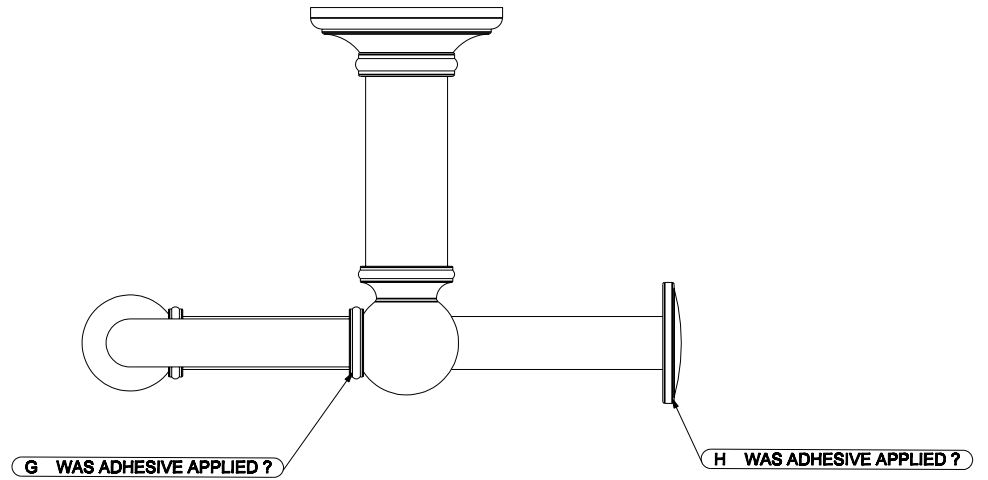
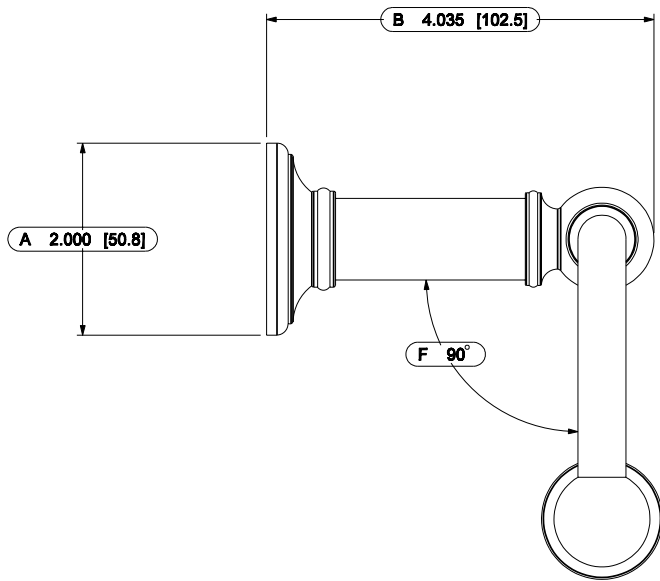
COLUMNAR



GINGER

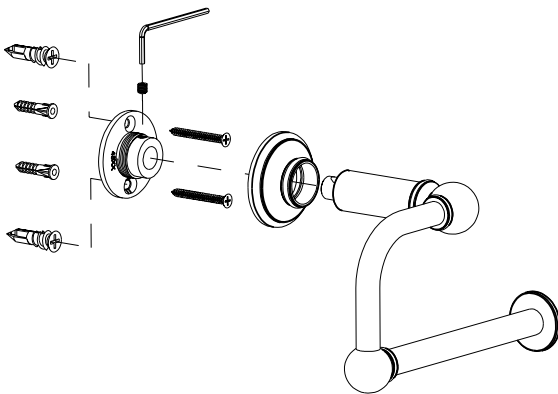
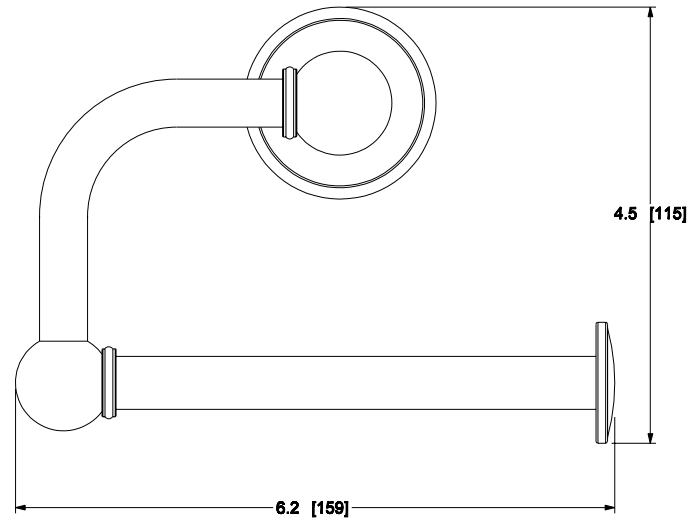
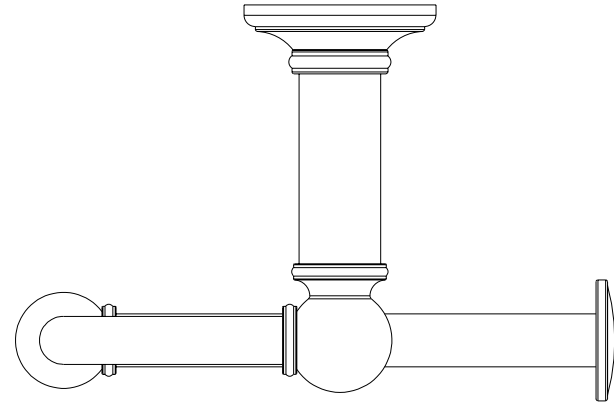
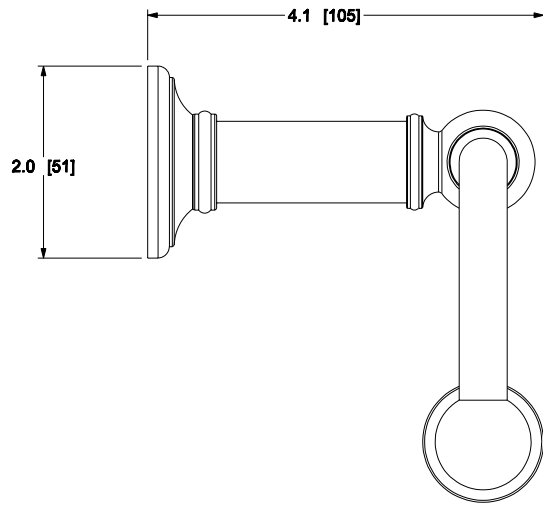
DWG.NO.

4509



FINISHES:AGD- ANTIQUE GOLD, AS- ANTIQUE SILVER, 10B- OIL RUBBED BRONZE,14- POLISHED NICKEL, 15- SATIN NICKEL, 26 POLISHED CHROME				
MATERIAL: VARIOUS BRASSES AND STAINLESS STEEL HARDWARE				
PART NO.	4509	HANGING TOILET TISSUE HOLDER		
DATE:4.6.07	REV.DATE	REV.A	SCALE 1:2	COLUMNAR

GINGER  
DWG.NO.  
4509



FINISHES:AGD- ANTIQUE GOLD, AS- ANTIQUE SILVER, 10B- OIL RUBBED BRONZE, 14- POLISHED NICKEL, 15- SATIN NICKEL, 26 POLISHED CHROME		UNIT:INCH [MM]	GINGER
MATERIAL: VARIOUS BRASSES,STAINLESS STEEL MOUNTING HARDWARE		WEIGHT:1LB.5 OZ. [680 G.]	
PART NO.	4509	HANGING TOILET TISSUE HOLDER	
DATE:4.9.07	REV.DATE:	SCALE 1:2	COLUMNAR
			DWG.NO. PD-4509

