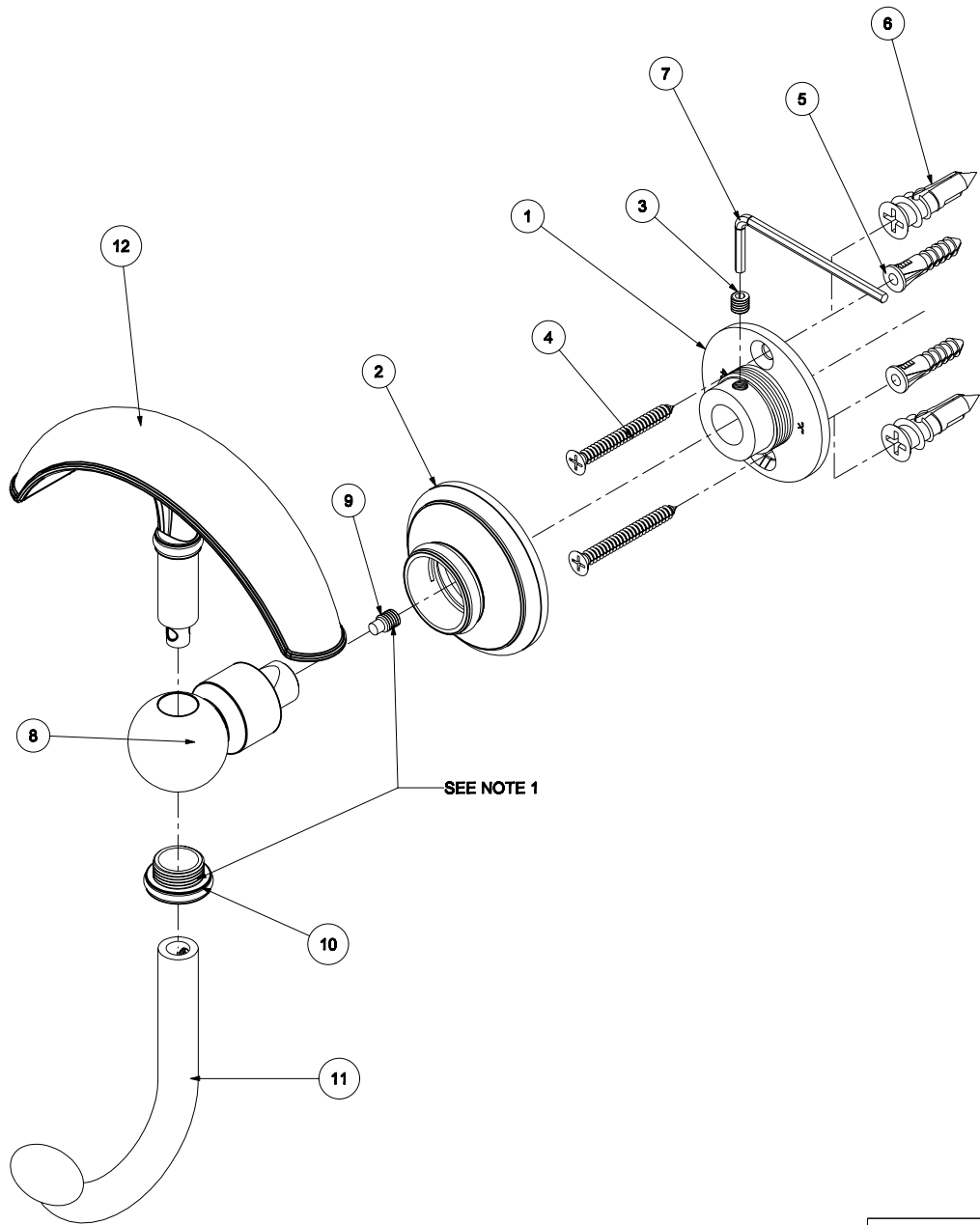
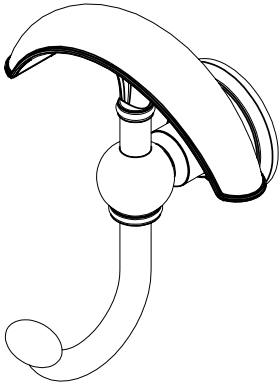


**BILL OF MATERIAL**

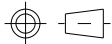
ITEM	PT/ASSY	DESCRIPTION	TYPE	QTY.	DWG.NO.
1	45XX	MOUNTING FLANGE	PART	1	45A-002
2	4500	ROSETTE	PART	1	45A-003
3	SM5-5S	M5 x5 STAINLESS STEEL SET SCREW	PART	1	-
4	8_1_5PFZ	NO.8 x 1-1/2" PHILLIPS FLAT HEAD	PART	2	-
5	GCA	NO. 8 -10 WALL ANCHOR PLASTIC	PART	2	-
6	SSPM	DRYWALL ANCHOR	PART	2	-
7	M2_5HK	2.5MM ALLOY STEEL HEX KEY	PART	1	-
8	4511P	HOOK POST	PART	1	45A-022
9	SM5-8DS	M5 x8 DOG POINT STAINLESS STEEL SET SCREW	PART	1	-
10	4511FL	HOOK FLANGE	PART	1	45A-022
11	4511A	HOOK ARM	PART	1	45A-024
12	4511T	HOOK TOP FLANGE	PART	1	45A-023



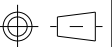
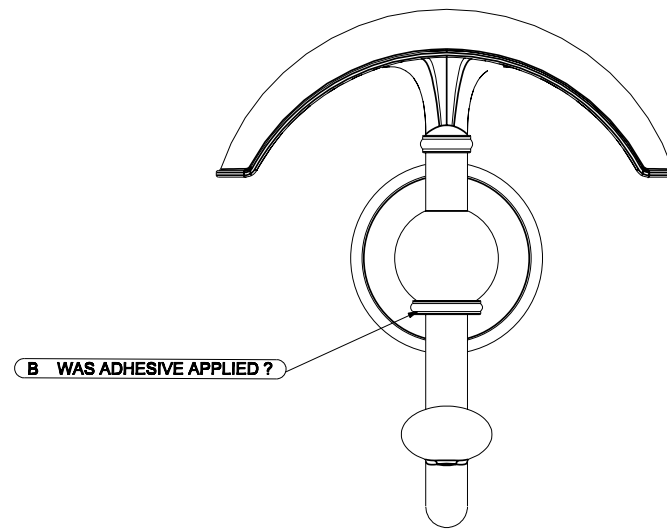
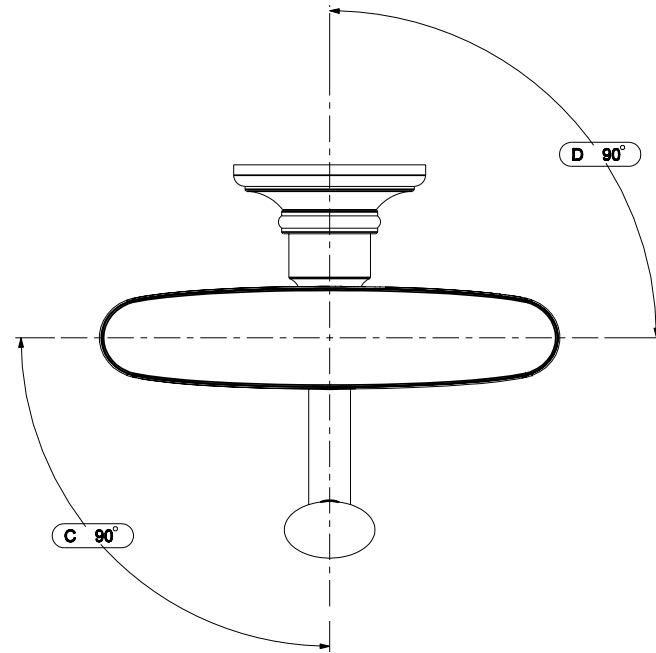
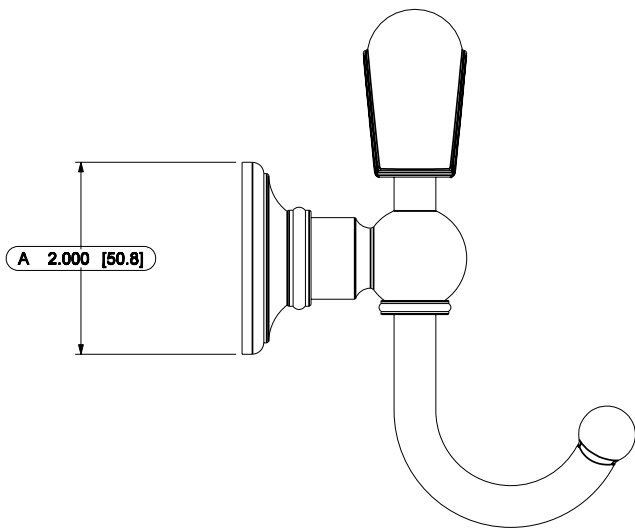
**ASSEMBLY NOTES:**  
 1. APPLY PERMANENT THREAD LOCKER (LOCTITE 262).



SCALE 0.375

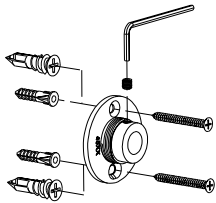
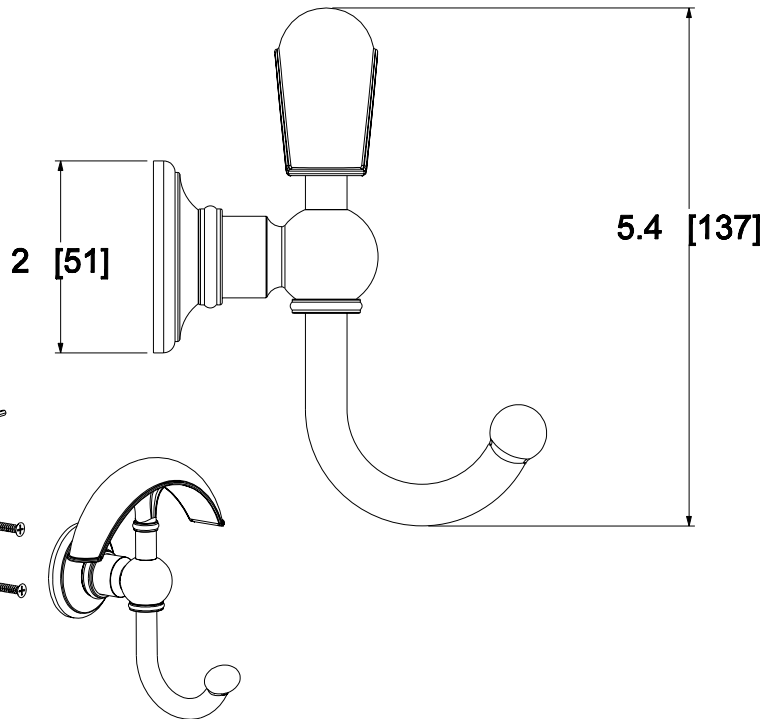
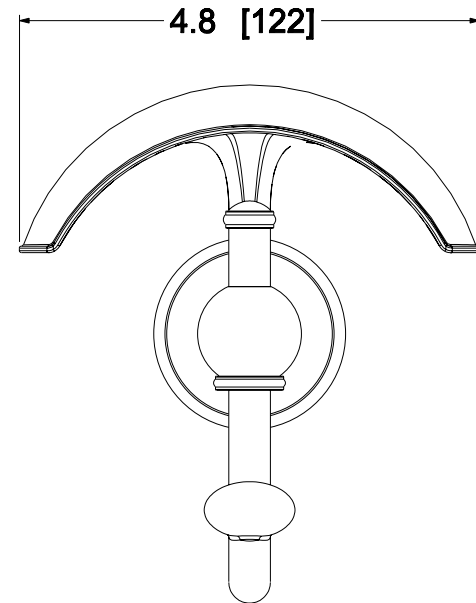
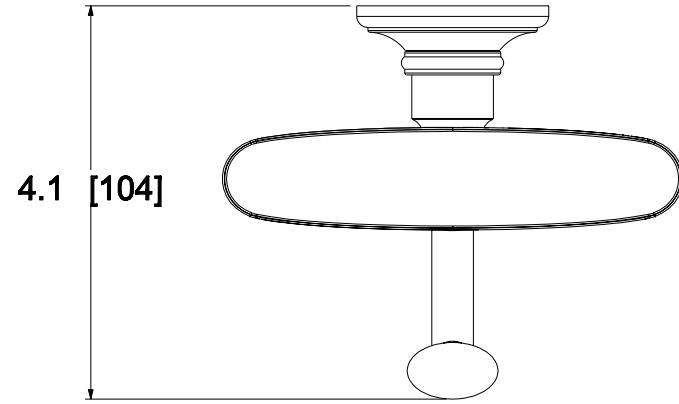


FINISHES:AGD- ANTIQUE GOLD, A8- ANTIQUE SILVER S- POLISHED BRASS, 10B- OIL RUBBED BRONZE, 14- POLISHED NICKEL, 15- SATIN NICKEL, 15A- ANTIQUE NICKEL, 26 POLISHED CHROME					
MATERIAL: STAINLESS MOUNTING HARDWARE, VARIOUS BRASSES					
PART NO.	4511	DOUBLE ROBE HOOK			GINGER DWG.NO. 4511
DATE:10.31.06	REV.DATE 6.27.07	REV. B	SCALE 1:2	COLUMNAR	



FINISHES:AGD- ANTIQUE GOLD, AS- ANTIQUE SILVER, 10B- OIL RUBBED BRONZE,14- POLISHED NICKEL, 15- SATIN NICKEL, 26 POLISHED CHROME				
MATERIAL: STAINLESS MOUNTING HARDWARE, VARIOUS BRASSES				
PART NO.	4511	DOUBLE ROBE HOOK		
DATE:10.31.06	REV.DATE: 6.27.07	REV.B	SCALE 1:2	COLUMNAR

GINGER  
DWG.NO.  
4511



FINISHES: AGD- ANTIQUE GOLD, AS- ANTIQUE SILVER, 10B- OIL RUBBED BRONZE, 14- POLISHED NICKEL, 15- SATIN NICKEL, 26 POLISHED CHROME		UNIT: INCH [MM]
MATERIAL: VARIOUS BRASSES, STAINLESS STEEL MOUNTING HARDWARE		WEIGHT: 1LBS.6 OZ. [635 G.]
PART NO.	4511	<b>DOUBLE ROBE HOOK</b>
DATE: 4.13.07	REV. DATE:	SCALE 1:2
		COLUMNAR

**GINGER**  
 DWG. NO.  
 PD-4511

