

4

3

2

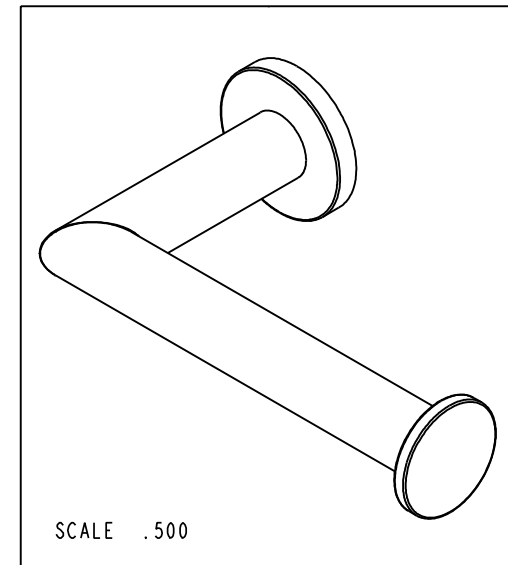
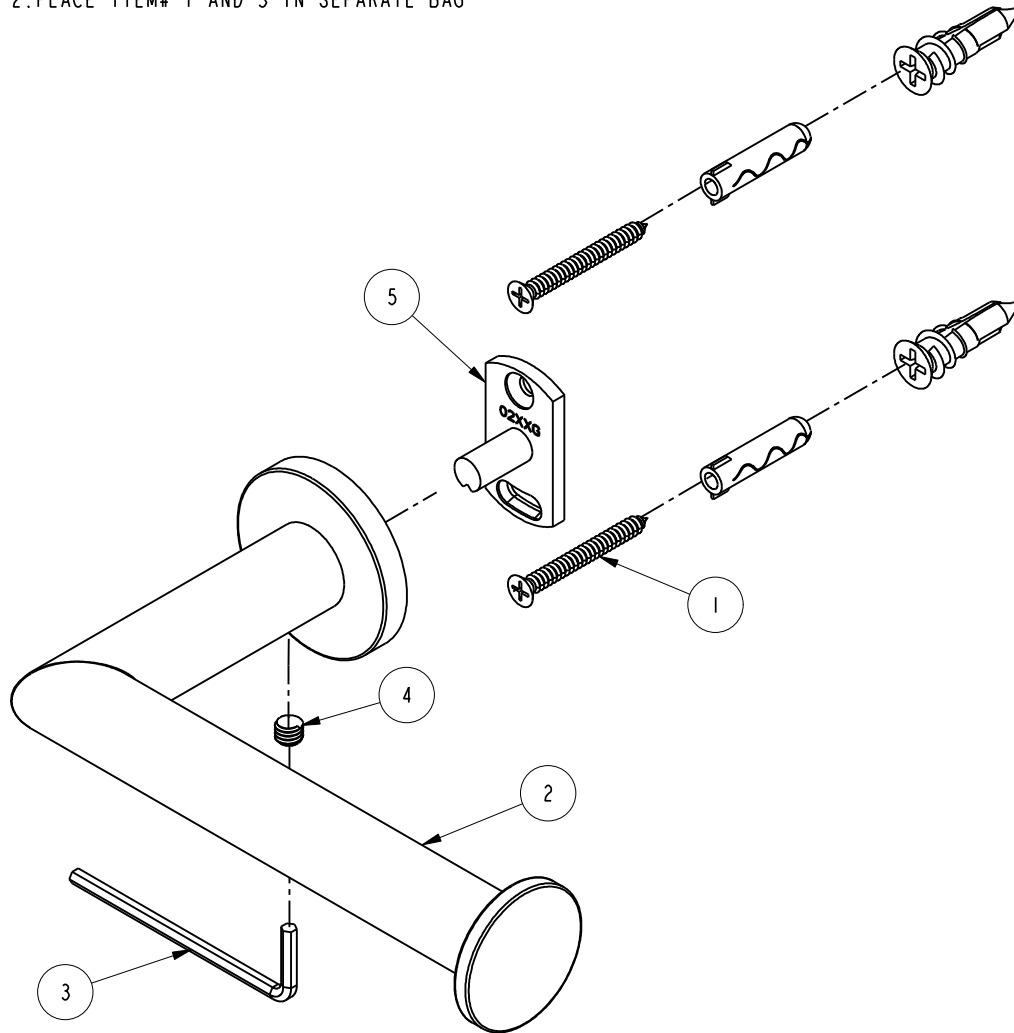
1

BILL OF MATERIAL (CURRENT LEVEL)

ITEM	PT/ASSY	DESCRIPTION	TYPE	QTY.
1	1-206	HARDWARE PACK	ASSEMBLY	1
2	7-681	OPEN TISSUE HOLDER ARM	ASSEMBLY	1
3	10615	3MM ALLOY STEEL HEX KEY	PART	1
4	92461	SCRW, M6X1X6 CONE POINT SS SET SCREW	PART	1
5	02XXG	MOUNTING BRACKET	PART	1

NOTES:

- ITEM# 2 ,4 AND 5 ARE PRE-ASSEMBLED
- PLACE ITEM# 1 AND 3 IN SEPARATE BAG



COPYRIGHT 2005 GINGER. THESE DRAWINGS AND THE DESIGNS DEPICTED HEREIN ARE THE PROPRIETARY PROPERTY OF GINGER. ANY USE OR REPRODUCTION IS SUBJECT TO THE EXPRESS APPROVAL OF GINGER. UNAUTHORIZED USE IS STRICTLY PROHIBITED. ALL RIGHTS RESERVED.

GINGER

2001 E. CARNEGIE AVE.
SANTA ANNA CA 92705
(949) 417-5207

OPEN TISSUE HOLDER

ASSY. NO.		4606			
SCALE .625		REF. -	SHEET 1 OF 2	REV	REV DESC
				EN-0995-1	11/10/10
				DATE	

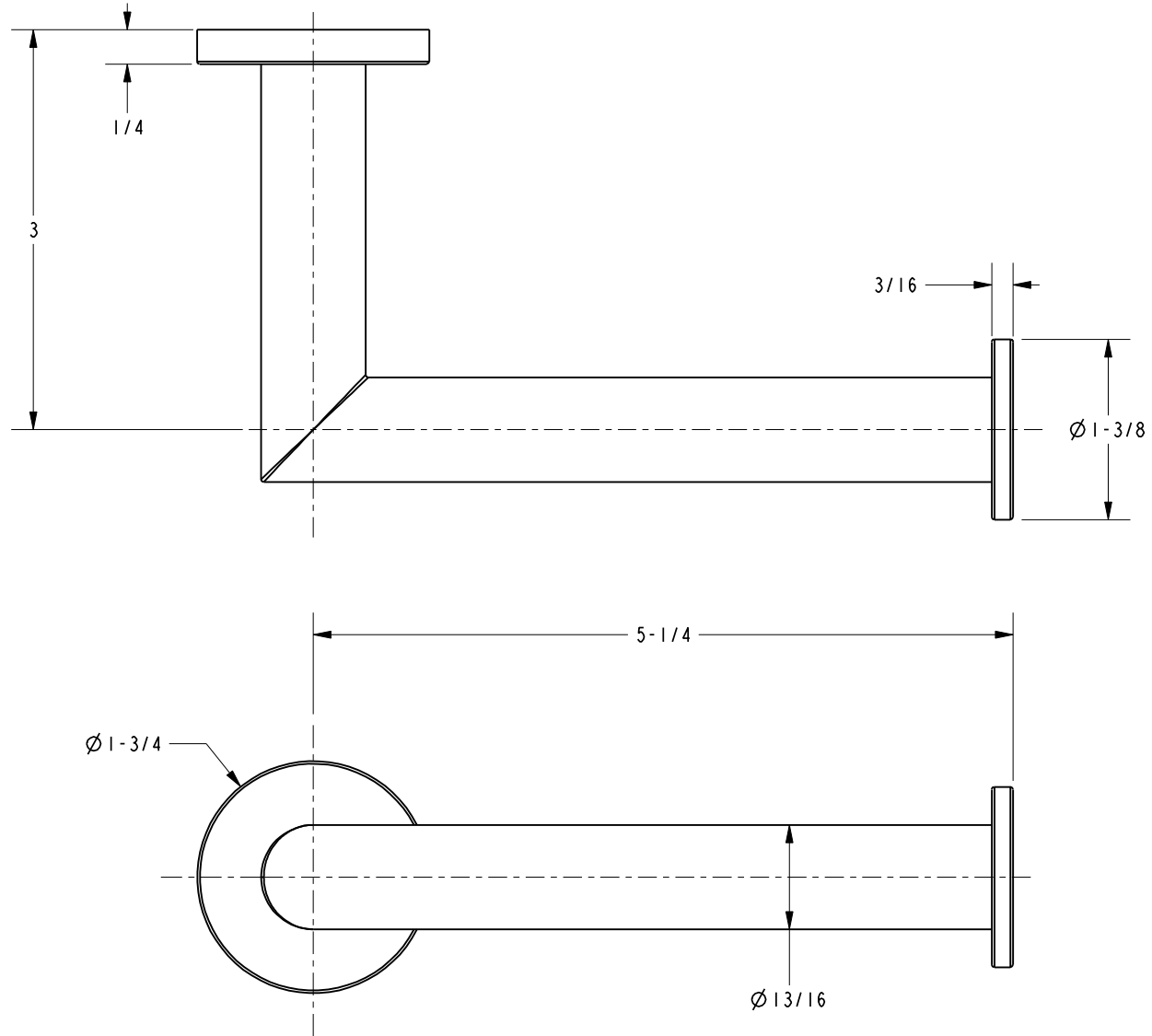
4

3

2

1

SPECIFICATION DWG



DIMENSIONS ARE IN INCHES AND AN APPROXIMATION OF A TYPICAL INSTALLATION

COPYRIGHT 2005 GINGER. THESE DRAWINGS AND THE DESIGNS DEPICTED HEREIN ARE THE PROPRIETARY PROPERTY OF GINGER. ANY USE OR REPRODUCTION IS SUBJECT TO THE EXPRESS APPROVAL OF GINGER. UNAUTHORIZED USE IS STRICTLY PROHIBITED. ALL RIGHTS RESERVED.

GINGER		2001 E. CARNEGIE AVE. SANTA ANNA, CA 92705 (949) 417-5207	
DWG NO.	4606	REV	-
SCALE	.750	REF.	-
		SHEET	2 OF 2

