

BILL OF MATERIAL (CURRENT LEVEL)				
ITEM	PT/ASSY	DESCRIPTION	TYPE	QTY.
1	1-206	HARDWARE PACK	ASSEMBLY	2
2	7-672	GLASS MOUNTING HARDWARE KIT	ASSEMBLY	2
3	7-686	12" GLASS SHELF TOWEL BAR TUBE AND POST ASSY	ASSEMBLY	1
4	2834-12TACL	12" SHELF GLASS	PART	1
5	10615	3MM ALLOY STEEL HEX KEY	PART	1
6	92461	SCRW,M6X1X6 CONE POINT SS SET SCREW	PART	2
7	02XXG	MOUNTING BRACKET	PART	2

COPYRIGHT 2005 GINGER. THESE DRAWINGS AND THE DESIGNS DEPICTED HEREIN ARE THE PROPRIETARY PROPERTY OF GINGER. ANY USE OR REPRODUCTION IS SUBJECT TO THE EXPRESS APPROVAL OF GINGER. UNAUTHORIZED USE IS STRICTLY PROHIBITED. ALL RIGHTS RESERVED.

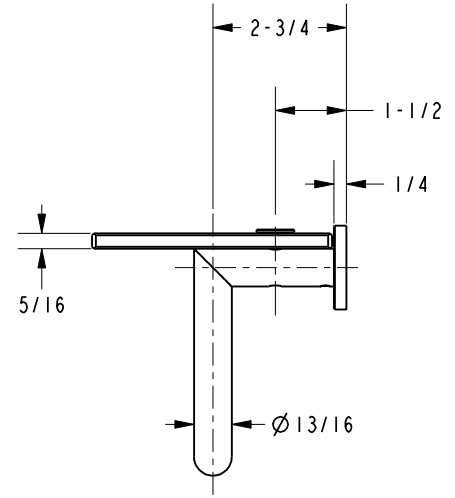
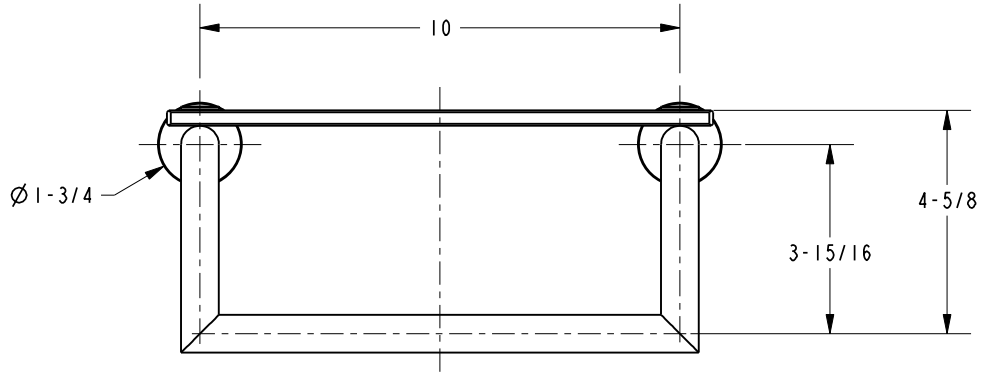
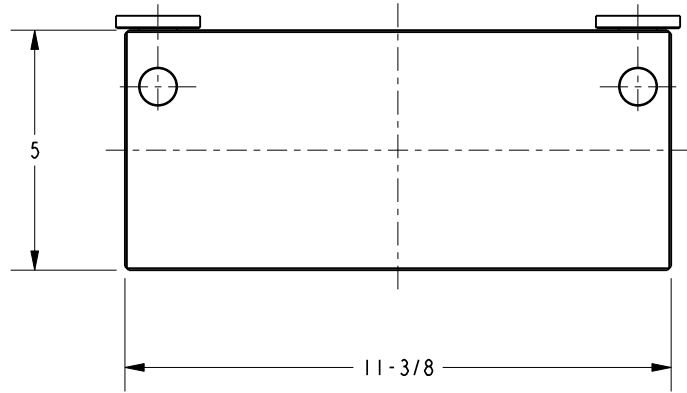
GINGER

2001 E. CARNEGIE AVE.
SANTA ANNA CA 92705
(949) 417-5207

12" GLASS SHELF TOWEL BAR

ASSY. NO.		4619T-12			
SCALE	REF.	SHEET	OF	REV	DATE
.250	-	1	2	EN-0995-1	11/10/10

SPECIFICATION DWG



DIMENSIONS ARE IN INCHES AND AN APPROXIMATION OF A TYPICAL INSTALLATION

COPYRIGHT 2005 GINGER. THESE DRAWINGS AND THE DESIGNS DEPICTED HEREIN ARE THE PROPRIETARY PROPERTY OF GINGER. ANY USE OR REPRODUCTION IS SUBJECT TO THE EXPRESS APPROVAL OF GINGER. UNAUTHORIZED USE IS STRICTLY PROHIBITED. ALL RIGHTS RESERVED.

GINGER		2001 E. CARNEGIE AVE. SANTA ANNA, CA 92705 (949) 417-5207	
DWG NO.	4619T-12	REV	-
SCALE	.250	REF.	-
		SHEET	2 OF 2

