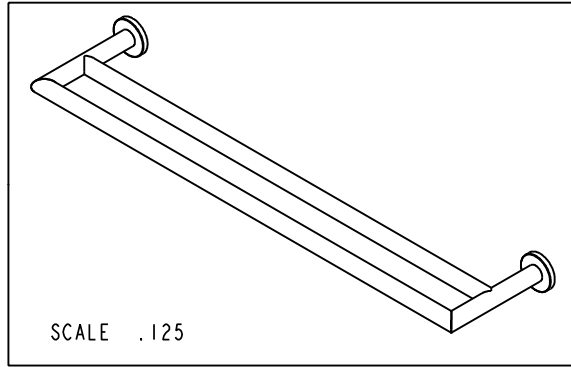
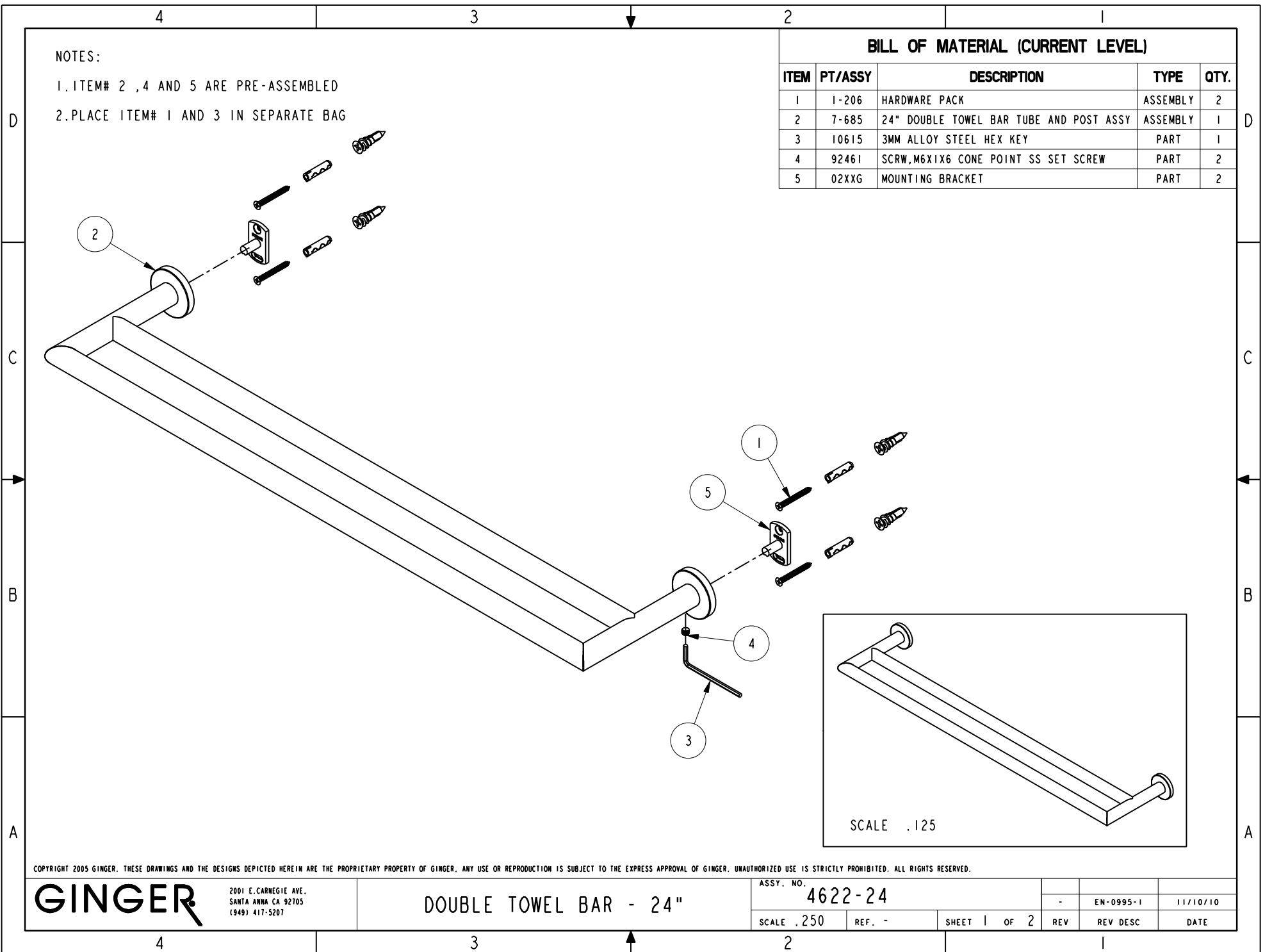


NOTES:

- 1. ITEM# 2 , 4 AND 5 ARE PRE-ASSEMBLED
- 2. PLACE ITEM# 1 AND 3 IN SEPARATE BAG

| BILL OF MATERIAL (CURRENT LEVEL) | | | | |
|----------------------------------|---------|---|----------|------|
| ITEM | PT/ASSY | DESCRIPTION | TYPE | QTY. |
| 1 | 1-206 | HARDWARE PACK | ASSEMBLY | 2 |
| 2 | 7-685 | 24" DOUBLE TOWEL BAR TUBE AND POST ASSY | ASSEMBLY | 1 |
| 3 | 10615 | 3MM ALLOY STEEL HEX KEY | PART | 1 |
| 4 | 92461 | SCRW, M6X1X6 CONE POINT SS SET SCREW | PART | 2 |
| 5 | 02XXG | MOUNTING BRACKET | PART | 2 |



COPYRIGHT 2005 GINGER. THESE DRAWINGS AND THE DESIGNS DEPICTED HEREIN ARE THE PROPRIETARY PROPERTY OF GINGER. ANY USE OR REPRODUCTION IS SUBJECT TO THE EXPRESS APPROVAL OF GINGER. UNAUTHORIZED USE IS STRICTLY PROHIBITED. ALL RIGHTS RESERVED.

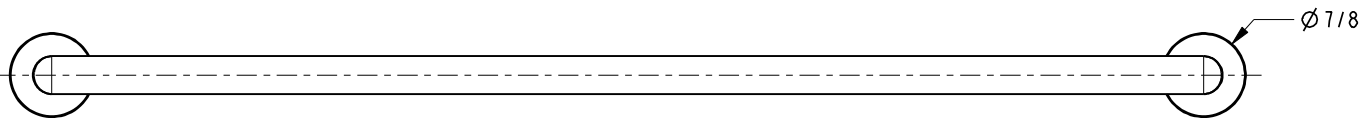
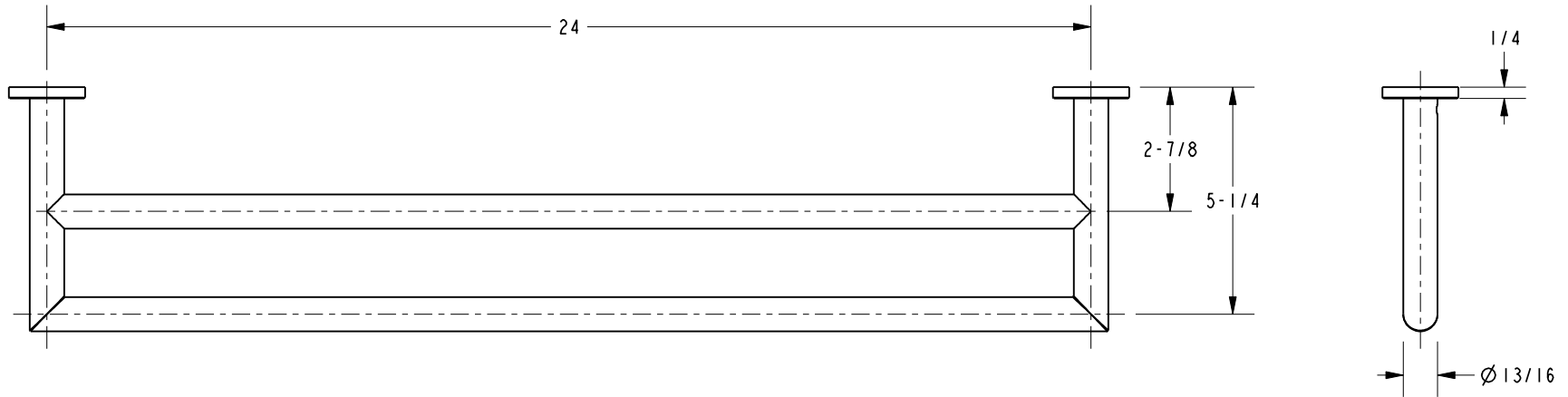
GINGER

2001 E. CARNEGIE AVE.
SANTA ANNA CA 92705
(949) 417-5207

DOUBLE TOWEL BAR - 24"

| | | | | | |
|------------|--------|--------------|-----|-----------|----------|
| ASSY. NO. | | 4622-24 | | | |
| SCALE .250 | REF. - | SHEET 1 OF 2 | REV | REV DESC | DATE |
| | | | - | EN-0995-1 | 11/10/10 |

SPECIFICATION DWG



DIMENSIONS ARE IN INCHES AND AN APPROXIMATION OF A TYPICAL INSTALLATION

COPYRIGHT 2005 GINGER. THESE DRAWINGS AND THE DESIGNS DEPICTED HEREIN ARE THE PROPRIETARY PROPERTY OF GINGER. ANY USE OR REPRODUCTION IS SUBJECT TO THE EXPRESS APPROVAL OF GINGER. UNAUTHORIZED USE IS STRICTLY PROHIBITED. ALL RIGHTS RESERVED.

| | | | |
|---------------|---------|---|--------|
| GINGER | | 2001 E. CARNEGIE AVE. SANTA ANNA, CA 92705 (949) 417-5207 | |
| DWG NO. | 4622-24 | REV | - |
| SCALE | .250 | REF. | - |
| | | SHEET | 2 OF 2 |

