

## Toilet Tissue Holder 4708N

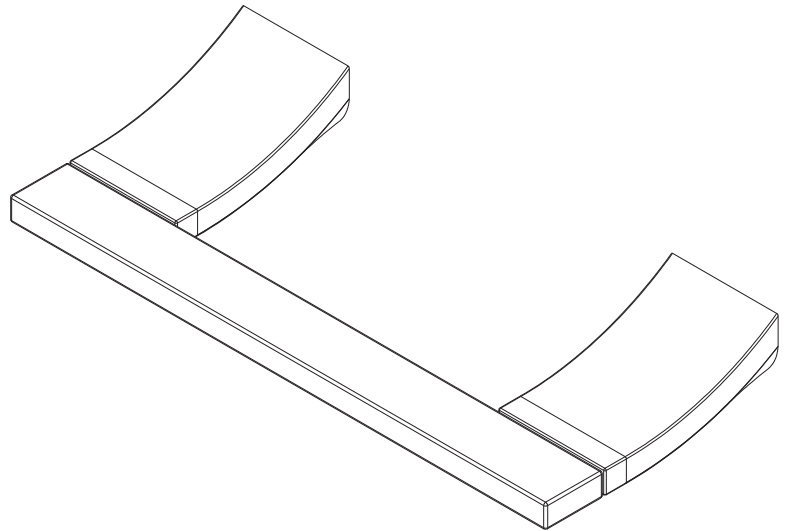
### Features

- Solid brass construction
- Double-post design with pivoting roller
- Complements Cinu product series

### Codes / Standards Compliance

Meets or exceeds the following at date of manufacture:

- All applicable US Federal and State material regulations



### Colors / Finishes

- PC: Polished Chrome
- PN: Polished Nickel
- SN: Satin Nickel

### Specified Model

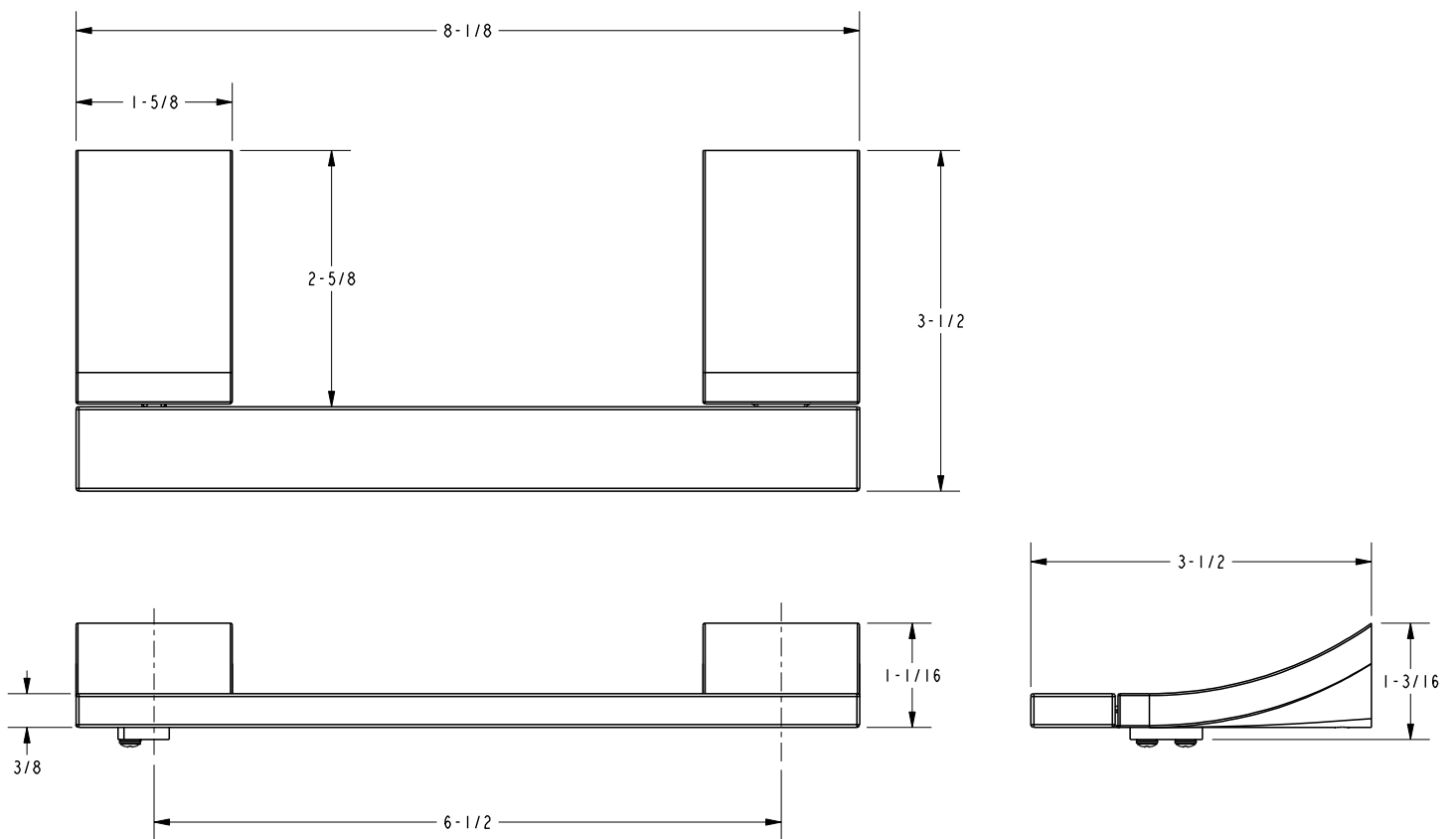
Model	Description	Colors   Finishes
4708N	Toilet Tissue Holder	<input type="checkbox"/> PC <input type="checkbox"/> PN <input type="checkbox"/> SN

### Product Specification: Add "Color / Finish" Suffix to Model Number Below.

The Toilet Tissue Holder shall be made of solid brass construction and incorporate a double-post design utilizing a pivoting roller. Toilet Tissue Holder shall complement Ginger Cinu product series. Toilet Tissue Holder shall be Ginger Model 4708N/\_\_\_\_\_.

# 4708N

**Product Dimensions** *(units are in inches)*



**Cinu Toilet Tissue Holder**  
**4708N**

page 2 of 2 spec\_4708N

**GINGER**

t: 949.417.5207 | [www.gingerco.com](http://www.gingerco.com)  
©2011 Brasstech, Inc.