

NOTES:

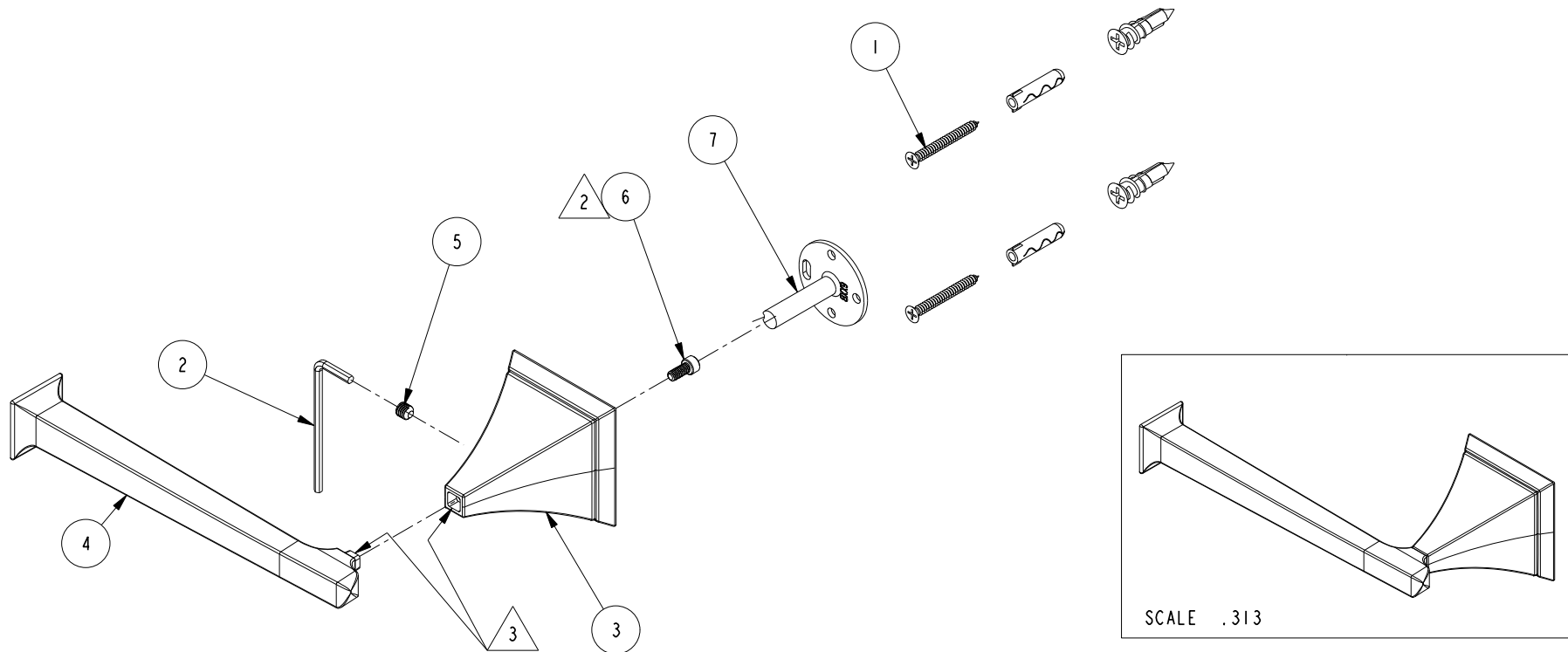
(N1) 1. FIT / FORM / FUNCTION SHALL FOLLOW PS-E.008.

(N2)  APPLY LOCTITE 680.

(N3)  APPLY LOCTITE E-00NS HYSOL EPOXY

BILL OF MATERIAL (CURRENT LEVEL)

ITEM	PT/ASSY	DESCRIPTION	TYPE	QTY.
1	1-206	HARDWARE PACK	ASSEMBLY	1
2	10615	HEX KEY, 3MM ALLOY STEEL	PART	1
3	40506	POST, TOWEL BAR	PART	1
4	40512	ARM - SINGLE POST TOILET TISSUE HOLDER	PART	1
5	92031	SCRW, M6 X 1 X 6 SKT HD CUP PT SS	PART	1
6	92527	SCRW, 8-32 X 3/8 SKT CAP HD SS	PART	1
7	6XXB	MOUNTING BRACKET	PART	1



TESTING	-	-	-
ASSEMBLY	-	-	-
PLATING	-	-	-
POLISHING	-	NEXT ASSY	USED ON
MACHINING	-	APPLICATION	
TOOLING FIXTURE #	REMOVE ALL BURRS AND SHARP EDGES		

UNITS ARE: INCHES [MM]  
 TOLERANCES ARE:  
 FRACTIONS DECIMALS ANGLES  
 $\pm 1/16"$  .X  $\pm .1$  [2.5]  $\pm 1^\circ$   
 .XX  $\pm .06$  [1.5]  
 (X.XXX) DENOTES CRITICAL DIMS.  
 ALL THREADS ARE CRITICAL

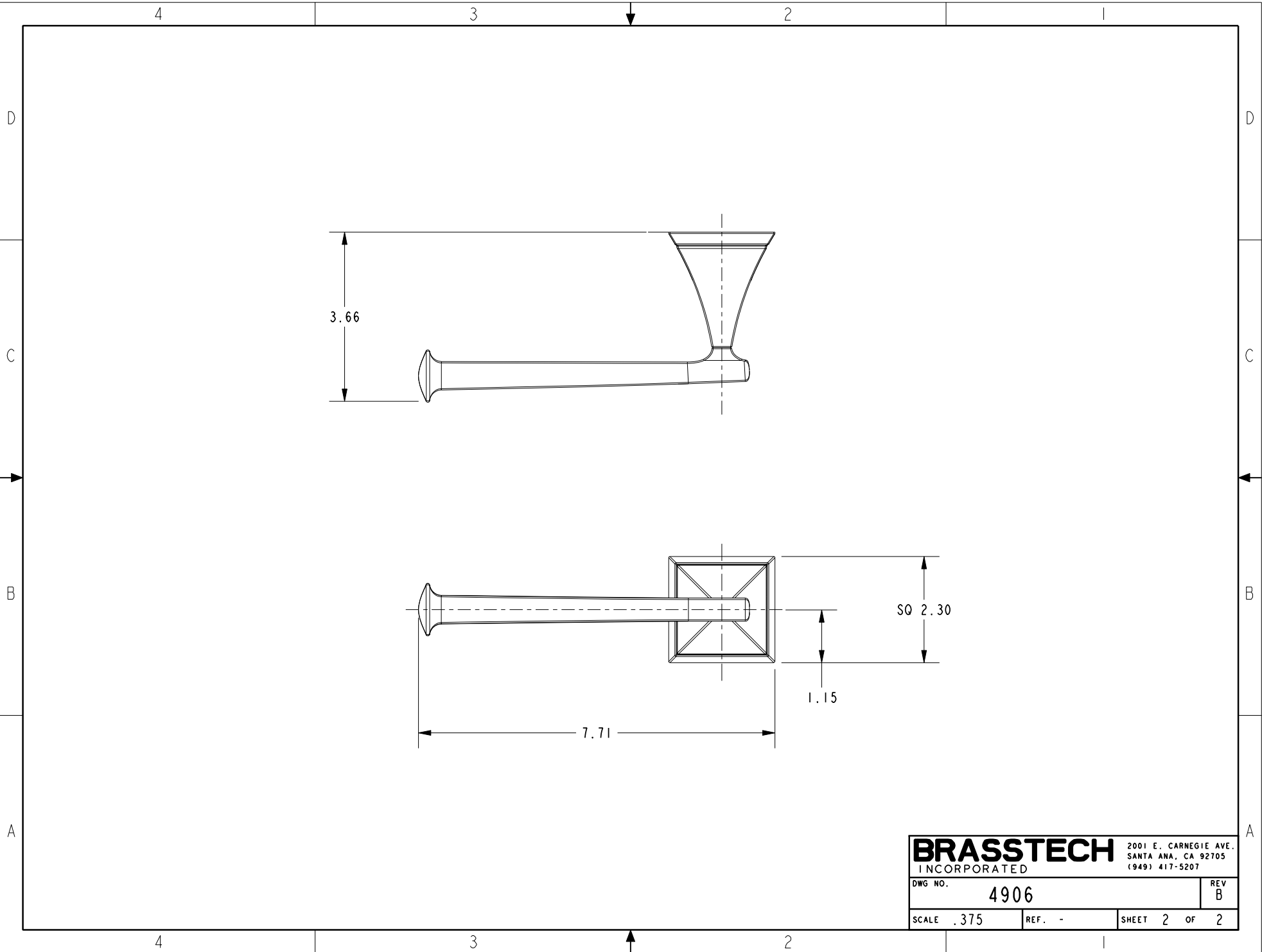
**BRASSTECH** 2001 CARNEGIE AVE.  
 INCORPORATED SANTA ANA, CA 92705  
 (949) 417-5207

**SINGLE POST TOILET TISSUE HOLDER**

DWG NO. **4906** REV B

SCALE .375 REF. - SHEET 1 OF 2

-	B	EN-2996	01/04/16	J.M.	COPYRIGHT 2005 BRASSTECH, INC. THESE DRAWINGS AND THE DESIGNS DEPICTED HEREIN ARE THE PROPRIETARY PROPERTY OF BRASSTECH. ANY USE OR REPRODUCTION IS SUBJECT TO THE EXPRESS APPROVAL OF BRASSTECH. UNAUTHORIZED USE IS STRICTLY PROHIBITED. ALL RIGHTS RESERVED.
-	A	EN-2647	11/19/13	-	
-	-	EN-2087	09/20/13	-	
ZONE	REV	DESCRIPTION	DATE	APPROVED	



<b>BRASSTECH</b>		2001 E. CARNEGIE AVE.	
INCORPORATED		SANTA ANA, CA 92705	
		(949) 417-5207	
DWG NO.	4906	REV	B
SCALE	.375	REF.	-
		SHEET	2 OF 2