

NOTES:

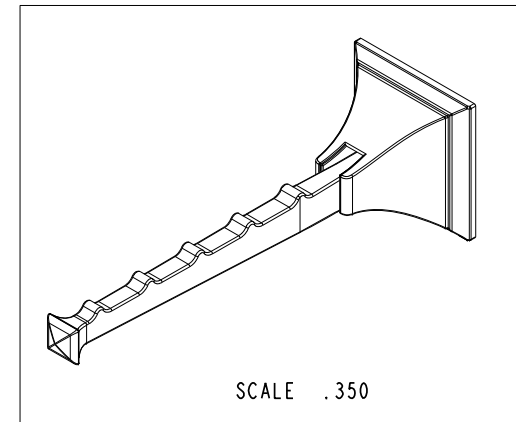
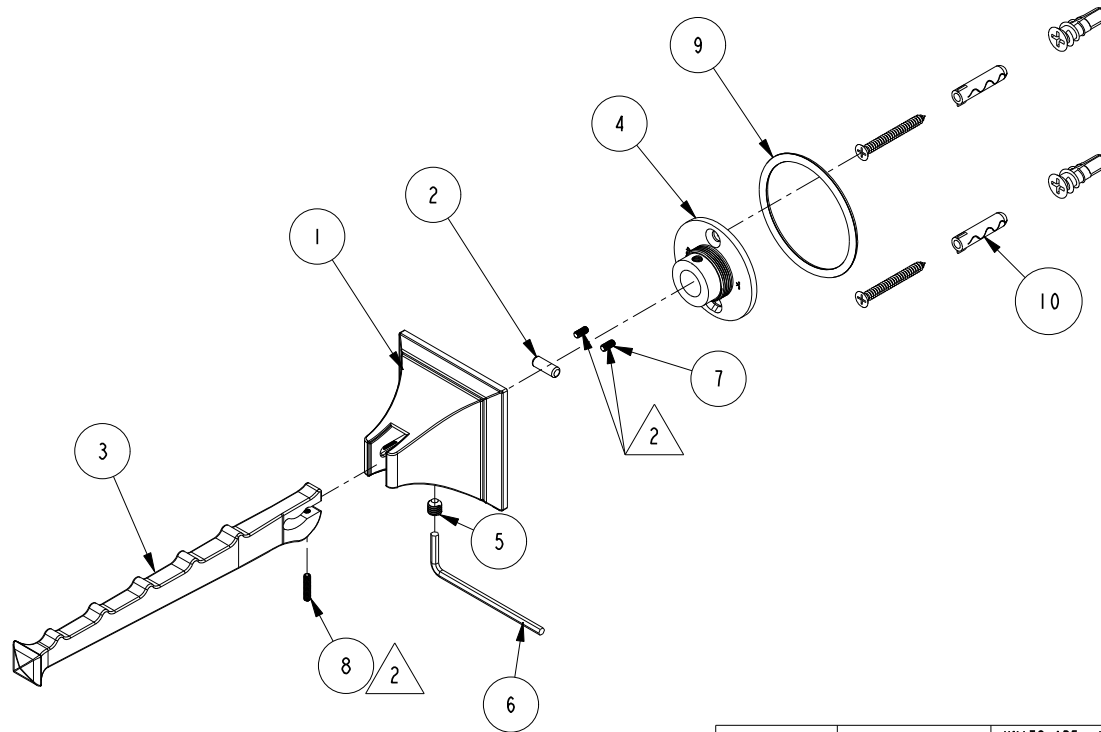
(N1) 1. FIT / FORM / FUNCTION SHALL FOLLOW PS-E.008.

(N2)  2 APPLY LOCTITE 680.

(N3) 3.PLACE ITEM# 6, 9 AND 10 IN SEPARATE BAG

BILL OF MATERIAL (CURRENT LEVEL)

ITEM	PT/ASSY	DESCRIPTION	TYPE	QTY.
1	40564	VALET HOOK ESCUTCHEON	PART	1
2	92840	PIN, 3/16 X 1/2 DOWEL SS	PART	1
3	40565	VALET HOOK	PART	1
4	45XX	MOUNTING FLANGE	PART	1
5	92031	SCRW, M6 X 1 X 6 SKT HD CUP PT SS	PART	1
6	10615	HEX KEY, 3MM ALLOY STEEL	PART	1
7	92195	SCRW, 4-40 X 1/4 SKT HD CUP POINT SS	PART	2
8	92446	SCRW, 4-40 X 1/2 SKT HD CUP POINT SS	PART	1
9	91647	O-RING, #2-226, EPDM, 65-75 DURO	PART	1
10	1-206	HARDWARE PACK	ASSEMBLY	1



TESTING	-	-	-	UNITS ARE: INCHES [MM]
ASSEMBLY	-	-	-	TOLERANCES ARE:
PLATING	-	-	-	FRACTIONS DECIMALS ANGLES
POLISHING	-	NEXT ASSY	USED ON	±1/16" .X ±.1 [2,5] ±1°
MACHINING	-	-	-	.XX ±.06 [1,5]
TOOLING FIXTURE #	-	-	-	(X.XXX) DENOTES CRITICAL DIMS.
				ALL THREADS ARE CRITICAL
				DRAWN
				CHECKED
				APPROVED
				REMOVE ALL BURRS AND SHARP EDGES

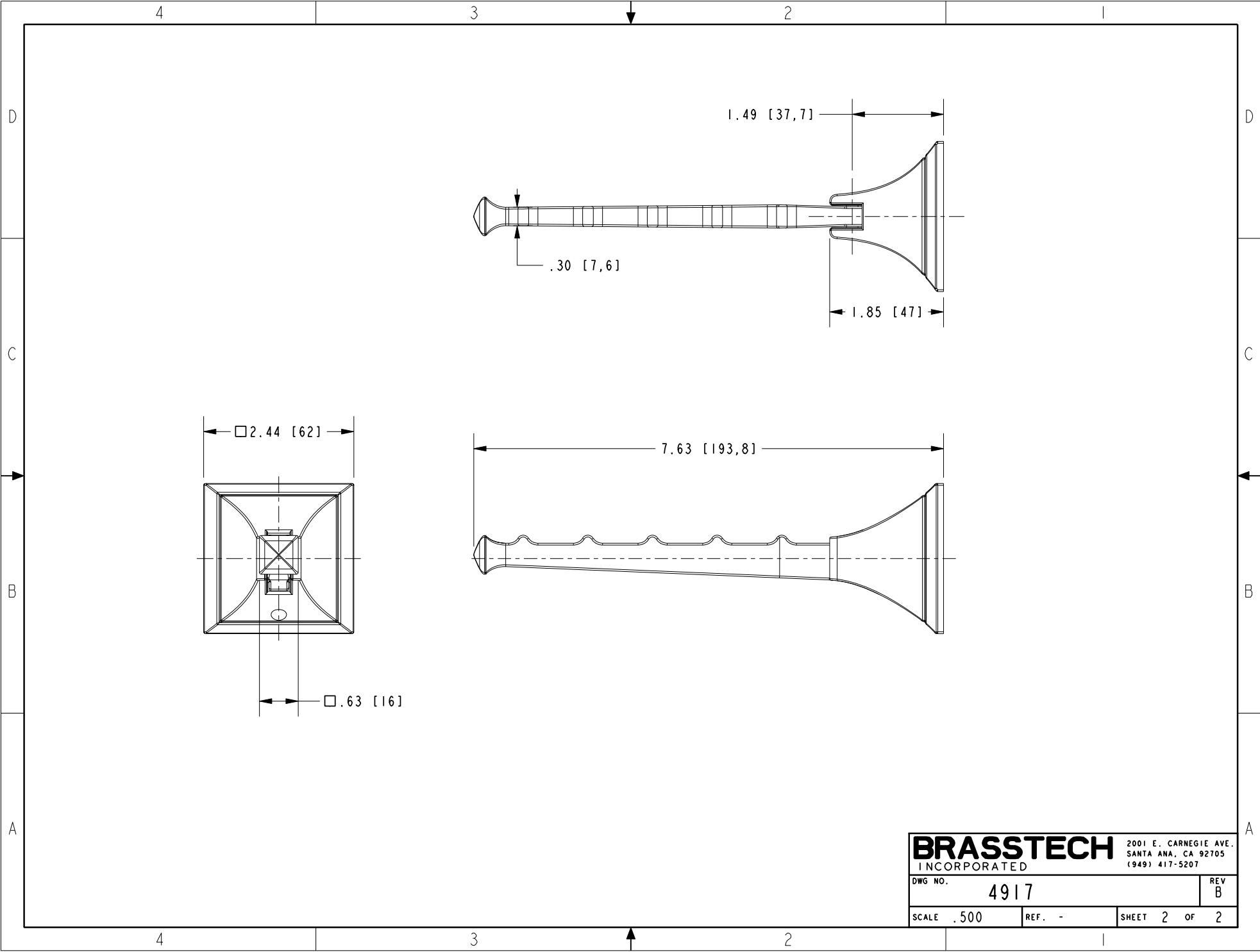
BRASSTECH 2001 CARNEGIE AVE.
INCORPORATED SANTA ANA, CA 92705
(949) 417-5207

VALET HOOK

DWG NO. 4917 REV B

SCALE .313 REF. - SHEET 1 OF 2

-	B	EN-2880	04/27/15	J.M.	COPYRIGHT 2005 BRASSTECH, INC. THESE DRAWINGS AND THE DESIGNS DEPICTED HEREIN ARE THE PROPRIETARY PROPERTY OF BRASSTECH. ANY USE OR REPRODUCTION IS SUBJECT TO THE EXPRESS APPROVAL OF BRASSTECH. UNAUTHORIZED USE IS STRICTLY PROHIBITED. ALL RIGHTS RESERVED.
-	A	EN-2647	11/19/13	-	
-	-	EN-2087	09/20/13	-	
ZONE	REV	DESCRIPTION	DATE	APPROVED	



BRASSTECH		2001 E. CARNEGIE AVE.	
INCORPORATED		SANTA ANA, CA 92705	
		(949) 417-5207	
DWG NO.	4917	REV	B
SCALE	.500	REF.	-
		SHEET	2 OF 2