

4

3

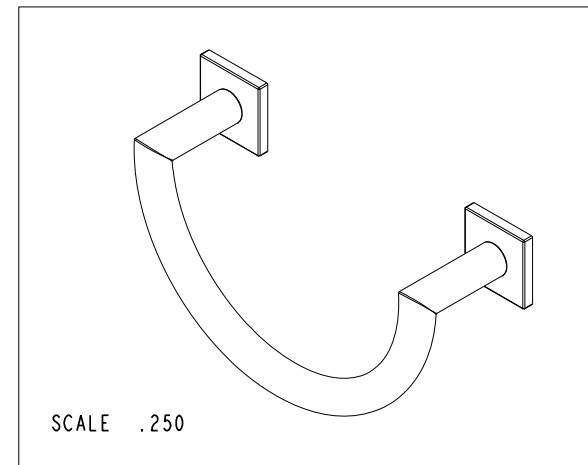
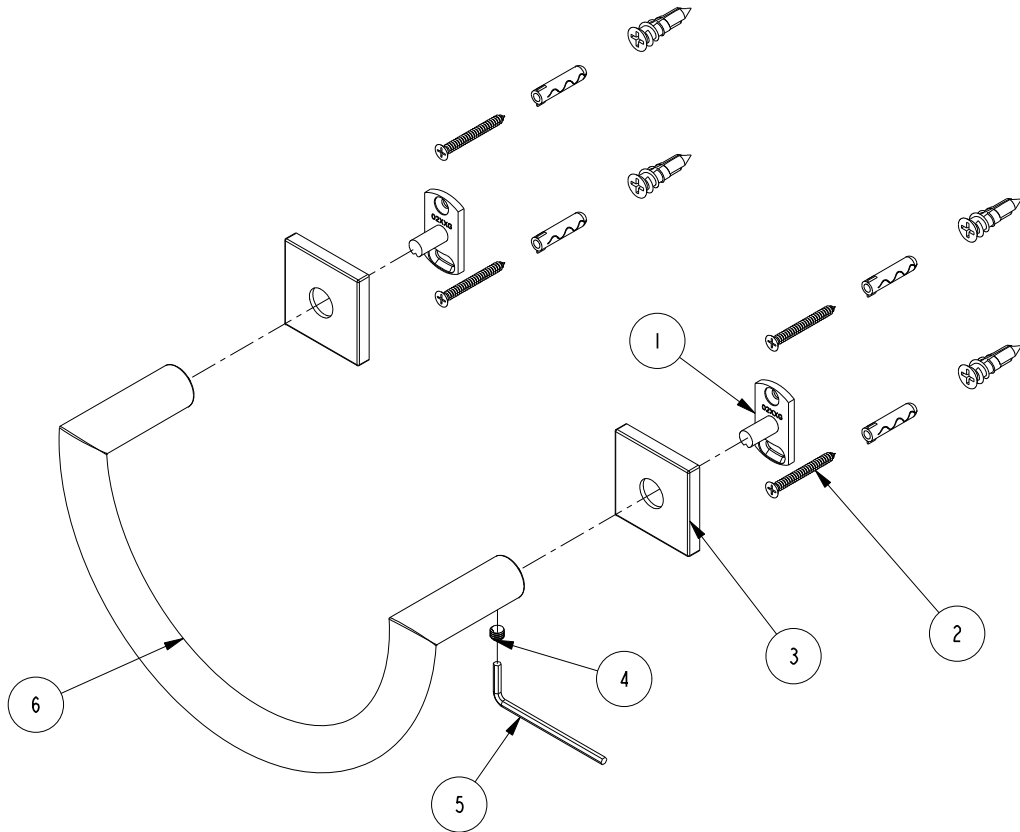
2

NOTES:

- (N1) 1. FIT / FORM / FUNCTION SHALL FOLLOW PS-E.008.
- (N2) 2. ITEMS 1,3,4 AND 6 ARE PRE-ASSEMBLED
- (N3) 3. PLACE ITEMS 2 AND 5 IN SEPARATE BAG

BILL OF MATERIAL (CURRENT LEVEL)

ITEM	PT/ASSY	DESCRIPTION	TYPE	QTY.
1	02XXG	MOUNTING BRACKET	PART	2
2	1-206	HARDWARE PACK	ASSEMBLY	2
3	40591	ROSETTE	PART	2
4	92461	SCRW, M6 X 1 X 6 SKT HD CONE PT SS	PART	2
5	10615	HEX KEY, 3MM ALLOY STEEL	PART	1
6	7-659	TOWEL RING	ASSEMBLY	1



COPYRIGHT 2005 BRASSTECH, INC.
 THESE DRAWINGS AND THE DESIGNS
 DEPICTED HEREIN ARE THE PROPRIETARY
 PROPERTY OF BRASSTECH. ANY USE
 OR REPRODUCTION IS SUBJECT TO
 THE EXPRESS APPROVAL OF BRASSTECH.
 UNAUTHORIZED USE IS STRICTLY
 PROHIBITED. ALL RIGHTS RESERVED.

TESTING	-	-	-
ASSEMBLY	-	-	-
PLATING	-	-	-
POLISHING	-	NEXT ASSY	USED ON
MACHINING	-	APPLICATION	
TOOLING	FIXTURE #	REMOVE ALL BURRS AND SHARP EDGES	

UNITS ARE: INCHES [MM]	
TOLERANCES ARE:	
FRACTIONS	DECIMALS ANGLES
±1/16"	±1°
.X ±.1 [2,5]	
.XX ±.06 [1,5]	
(X.XXX) DENOTES CRITICAL DIMS.	
ALL THREADS ARE CRITICAL	
DRAWN	R.S. 08/14/15
CHECKED	J.M. 08/14/15
APPROVED	J.M. 08/14/15

BRASSTECH 2001 CARNEGIE AVE.
 INCORPORATED SANTA ANA, CA 92705
 (949) 417-5207

TOWEL RING

DWG NO. **5305** REV -

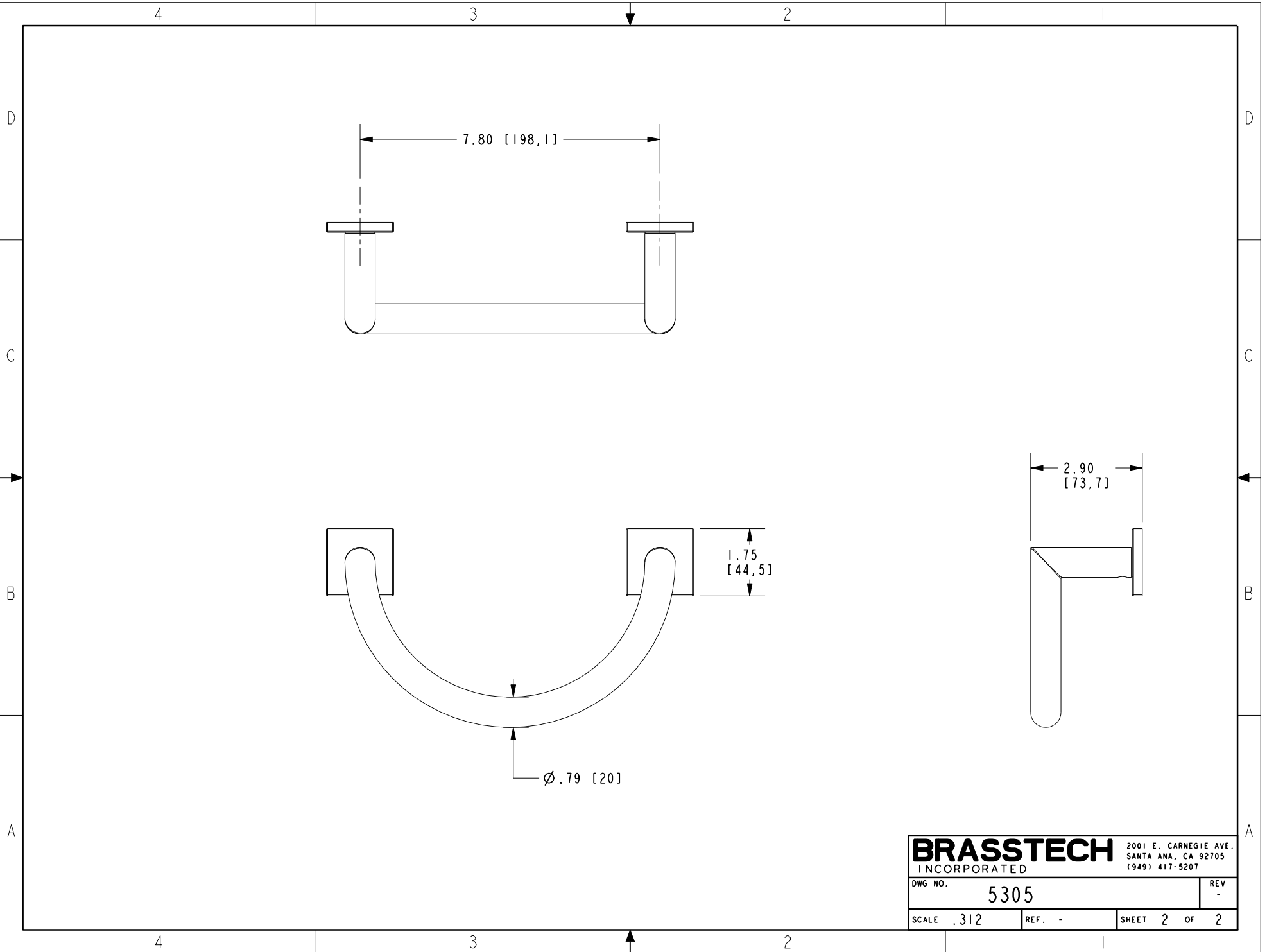
SCALE .312 REF. - SHEET 1 OF 2

-	-	EN-2927	08/14/15	J.M.
ZONE	REV	DESCRIPTION	DATE	APPROVED

4

3

2



BRASSTECH		2001 E. CARNEGIE AVE.
INCORPORATED		SANTA ANA, CA 92705
		(949) 417-5207
DWG NO.	5305	REV -
SCALE .312	REF. -	SHEET 2 OF 2