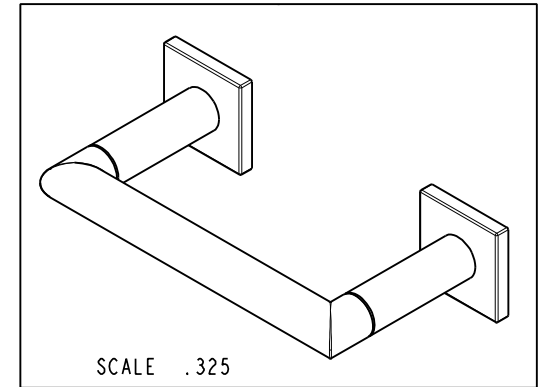
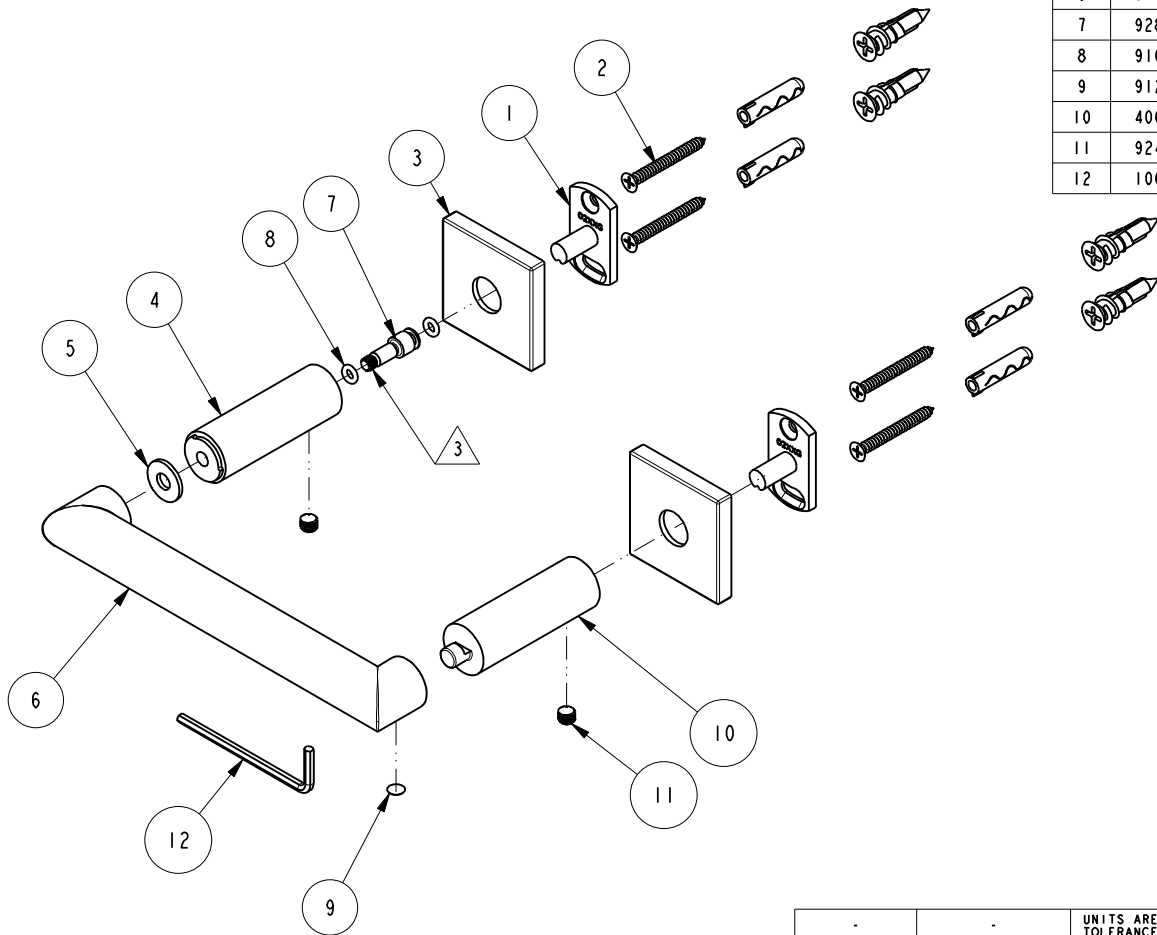


NOTES:

- (N1) 1. FIT / FORM / FUNCTION SHALL FOLLOW PS-E.008.
- 2. BAG ITEMS 1, 2 AND 12.
- 3. APPLY LOCTITE 680.
- 4. UPON ASSEMBLY 7-736 ARM TO SUSTAIN ITS OWN WEIGHT WHEN ROTATED

BILL OF MATERIAL (CURRENT LEVEL)

ITEM	PT/ASSY	DESCRIPTION	TYPE	QTY.
1	02XXG	MOUNTING BRACKET	PART	2
2	1-206	HARDWARE PACK	ASSEMBLY	2
3	40591	ROSETTE	PART	2
4	40688	PIVOTING TISSUE POST RIGHT	PART	1
5	91464	WSHR, .254 ID X .625 OD X .063 THK, FLT, ACETAL	PART	1
6	7-736	PIVOTING TISSUE ARM	PART	1
7	92893	PIVOT SCREW	PART	1
8	91098	O-RING, #2-007, EPDM, 65-75 DURO	PART	2
9	91254	POLY BUMPER PAD, DIA .250" X .062"	PART	1
10	40689	PIVOTING TISSUE POST LEFT	PART	1
11	92461	SCRW, M6 X 1 X 6 SKT HD CONE PT SS	PART	2
12	10615	HEX KEY, 3MM ALLOY STEEL	PART	1



TESTING	-	-	-
ASSEMBLY	-	-	-
PLATING	-	-	-
POLISHING	-	NEXT ASSY	USED ON
MACHINING	-	APPLICATION	
TOOLING FIXTURE #	REMOVE ALL BURRS AND SHARP EDGES		

BRASSTECH INCORPORATED
 2001 CARNEGIE AVE.
 SANTA ANA, CA 92705
 (949) 417-5207

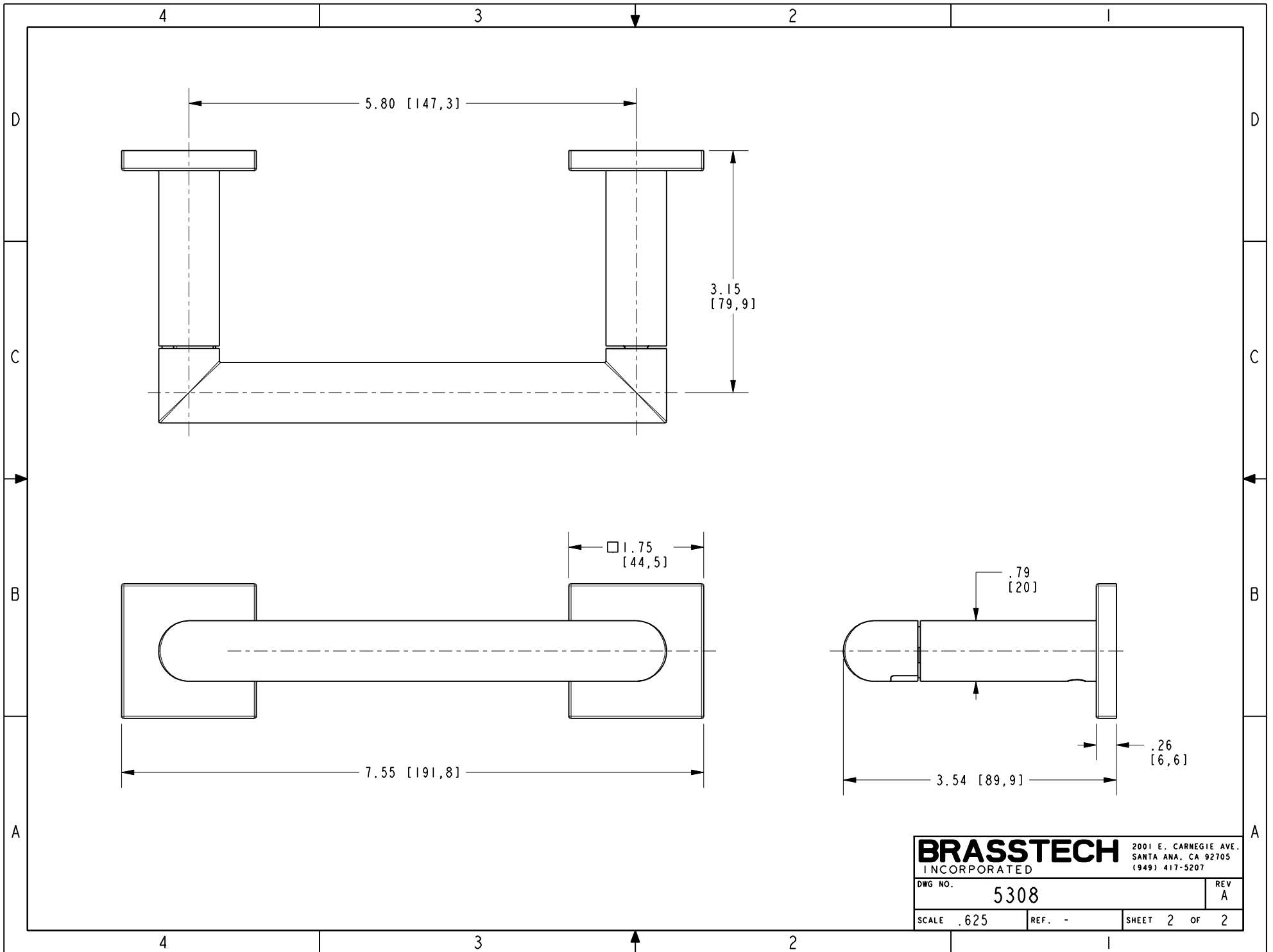
PIVOTING TISSUE HOLDER

DWG NO. **5308** REV **A**

SCALE .375 REF. - SHEET 1 OF 2

ZONE	REV	DESCRIPTION	DATE	APPROVED
-	A	EN-3735	06/19/19	J.M.
-	-	EN-2927	08/14/15	J.M.

COPYRIGHT 2005 BRASSTECH, INC. THESE DRAWINGS AND THE DESIGNS DEPICTED HEREIN ARE THE PROPRIETARY PROPERTY OF BRASSTECH. ANY USE OR REPRODUCTION IS SUBJECT TO THE EXPRESS APPROVAL OF BRASSTECH. UNAUTHORIZED USE IS STRICTLY PROHIBITED. ALL RIGHTS RESERVED.



BRASSTECH		2001 E. CARNEGIE AVE. SANTA ANA, CA 92705 (949) 417-5207
DWG NO.	5308	REV A
SCALE .625	REF. -	SHEET 2 OF 2