
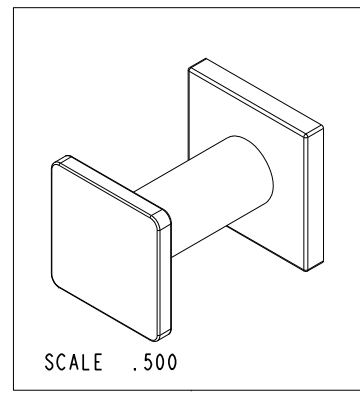
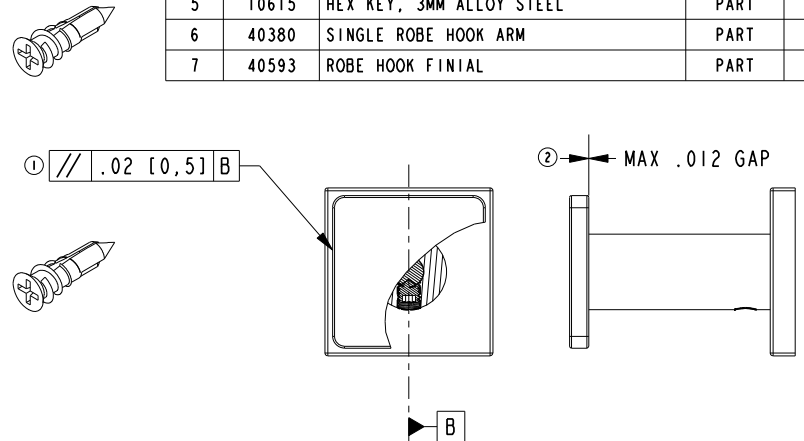
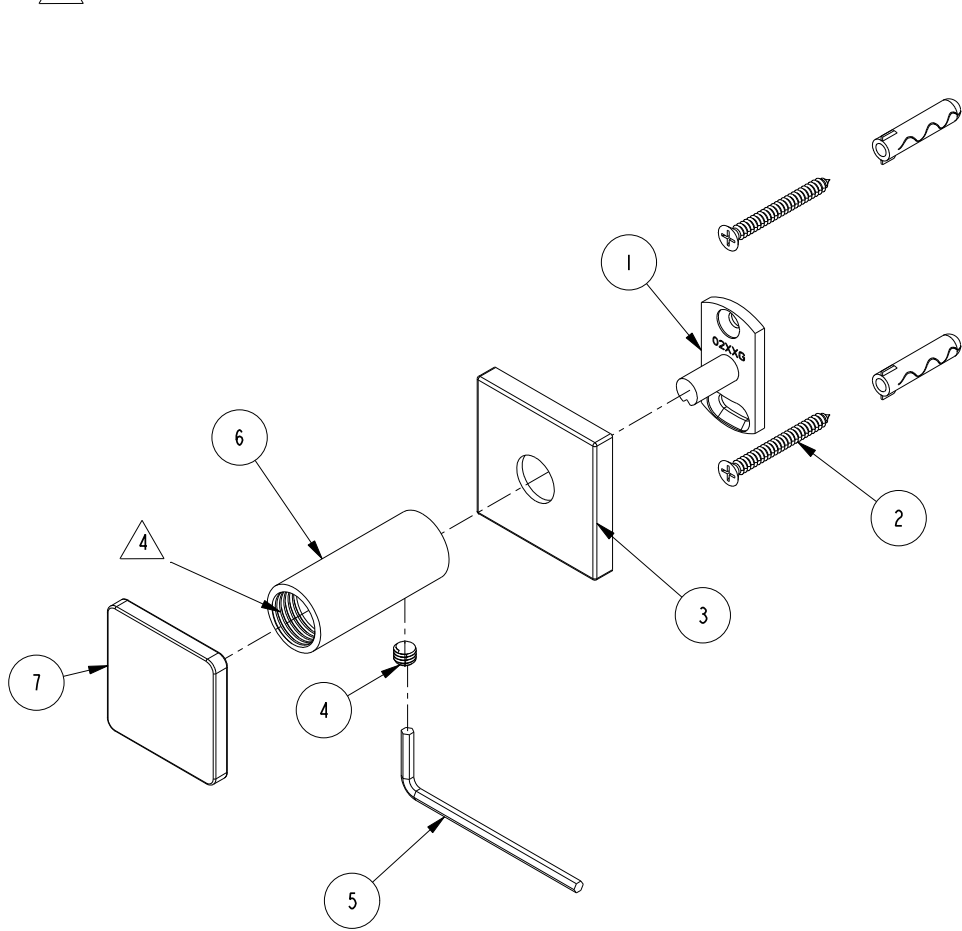


NOTES:

- (N1) 1. FIT / FORM / FUNCTION SHALL FOLLOW PS-E.008.
- (N2) 2. ITEMS 1,3,4,6 AND 7 ARE PRE-ASSEMBLED
- (N3) 3. PLACE ITEMS 2 AND 5 IN SEPARATE BAG
- (N4)  4. APPLY PERMANENT THREAD LOCKER (LOCTITE 680)

BILL OF MATERIAL (CURRENT LEVEL)

ITEM	PT/ASSY	DESCRIPTION	TYPE	QTY.
1	02XXG	MOUNTING BRACKET	PART	1
2	1-206	HARDWARE PACK	ASSEMBLY	1
3	40591	ROSETTE	PART	1
4	92461	SCRW, M6 X 1 X 6 SKT HD CONE PT SS	PART	1
5	10615	HEX KEY, 3MM ALLOY STEEL	PART	1
6	40380	SINGLE ROBE HOOK ARM	PART	1
7	40593	ROBE HOOK FINIAL	PART	1



ZONE	REV	DESCRIPTION	DATE	APPROVED
-	-	EN-2927	08/14/15	J.M.

COPYRIGHT 2005 BRASSTECH, INC. THESE DRAWINGS AND THE DESIGNS DEPICTED HEREIN ARE THE PROPRIETARY PROPERTY OF BRASSTECH. ANY USE OR REPRODUCTION IS SUBJECT TO THE EXPRESS APPROVAL OF BRASSTECH. UNAUTHORIZED USE IS STRICTLY PROHIBITED. ALL RIGHTS RESERVED.

TESTING	ASSEMBLY	PLATING	POLISHING	MACHINING	TOOLING	FIXTURE #	APPLICATION
-	-	-	-	-	-	-	REMOVE ALL BURRS AND SHARP EDGES

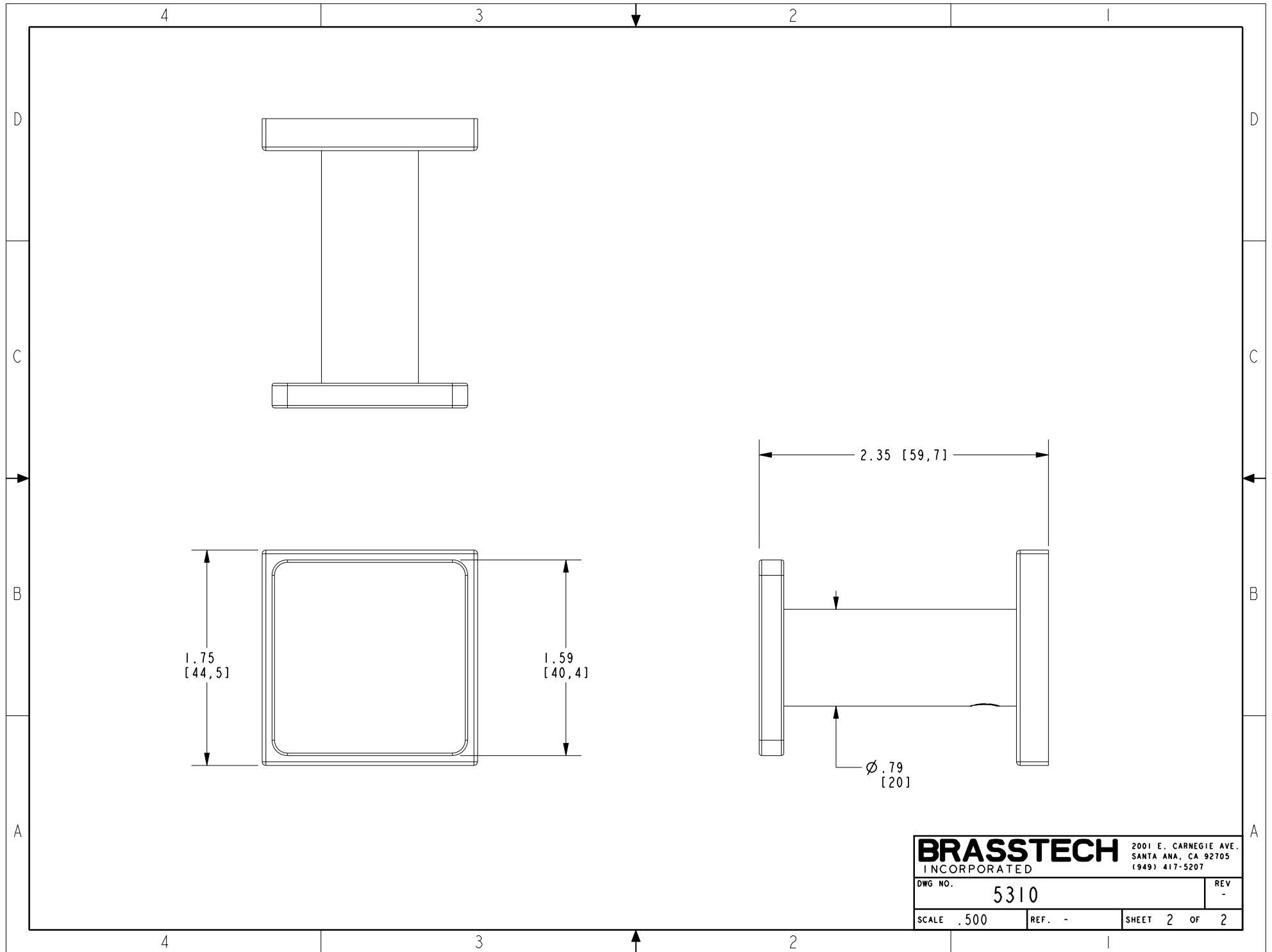
UNITS ARE:	TOLERANCES ARE:
INCHES [MM]	FRACTIONS DECIMALS ANGLES
	$\pm 1/16"$ $.X \pm .1$ [2,5] $\pm 1^\circ$
	$.XX \pm .06$ [1,3]
(X.XXX) DENOTES CRITICAL DIMS.	ALL THREADS ARE CRITICAL
DRAWN	R.S. 08/14/15
CHECKED	J.M. 08/14/15
APPROVED	J.M. 08/14/15

BRASSTECH 2001 CARNEGIE AVE. SANTA ANA, CA 92705 (949) 417-5207
INCORPORATED

SINGLE ROBE HOOK

DWG NO. 5310

SCALE .500 REF. - SHEET 1 OF 2



BRASSTECH		2001 E. CARNEGIE AVE.	
INCORPORATED		SANTA ANA, CA 92705	
DWG NO. 5310		REV -	
SCALE .500	REF. -	SHEET 2 OF 2	