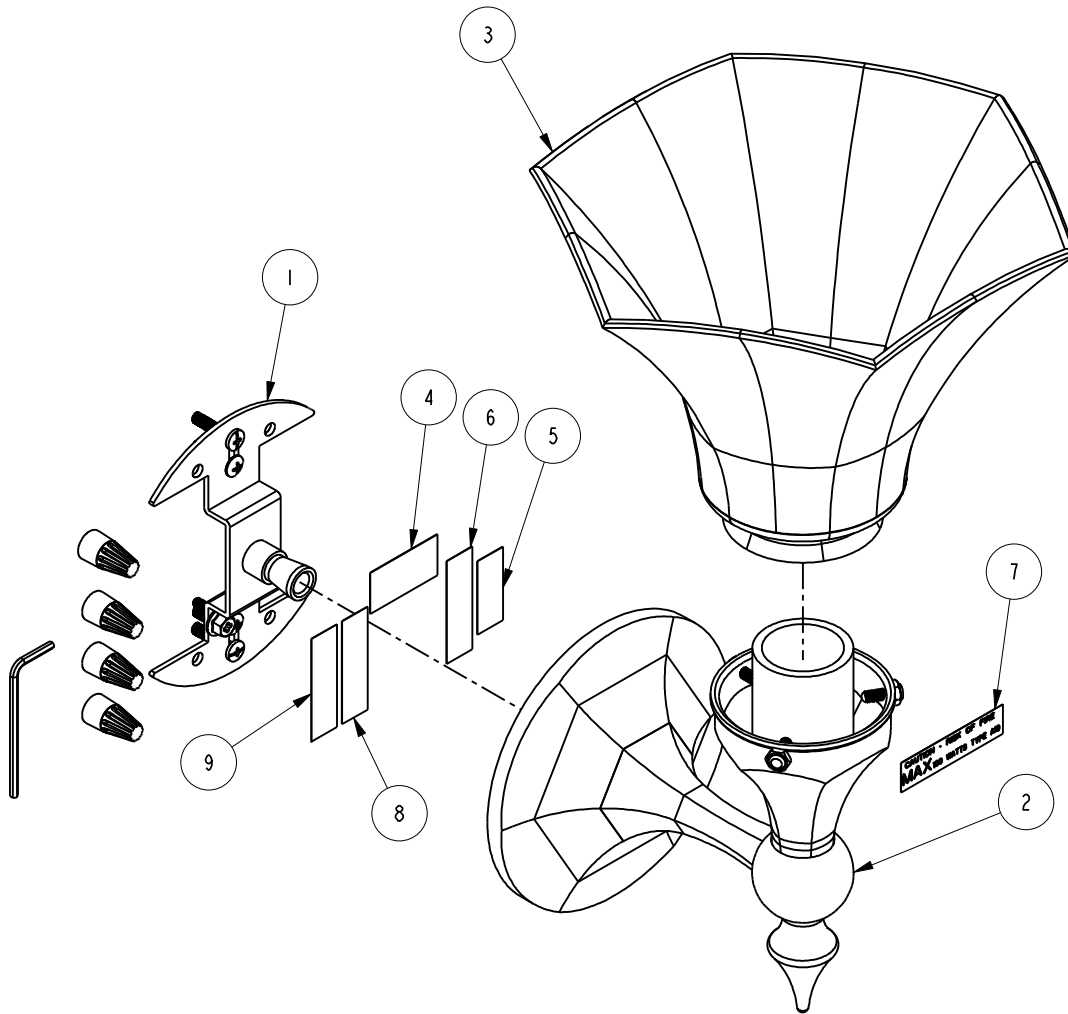


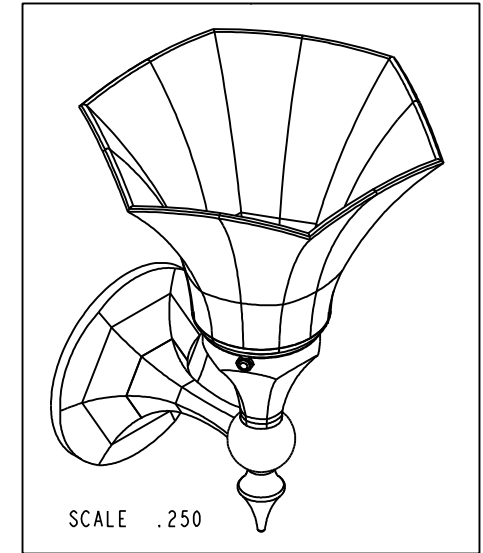
NOTES:

(N1) 1. FIT / FORM / FUNCTION SHALL FOLLOW PS-E.008.



BILL OF MATERIAL (CURRENT LEVEL)

ITEM	PT/ASSY	DESCRIPTION	TYPE	QTY.
1	CB-002	LIGHT MOUNTING PACK	ASSEMBLY	1
2	682-BAW	LIGHT BODY WIRED	ASSEMBLY	1
3	682-G-SO	SATIN OPAL GLASS SHADE	PART	1
4	98006	LABEL, UL LISTED	PART	1
5	98079	LABEL, MONTH YEAR E222146	PART	1
6	98012	LABEL, WALL MOUNT ONLY	PART	1
7	98101	LABEL, 100 WATTS MAX	PART	1
8	98113	LABEL,PNXXX INCANDESCENT FOR DAMP LOCATIONS	PART	1
9	98088	LABEL, MIN 75 C SUPPLY CONDUCTORS	PART	1



ZONE	REV	DESCRIPTION	DATE	APPROVED
-	B	EN-3127	08/29/16	R.S.
-	A	EN-1413	12/08/09	-

COPYRIGHT 2005 BRASSTECH, INC. THESE DRAWINGS AND THE DESIGNS DEPICTED HEREIN ARE THE PROPRIETARY PROPERTY OF BRASSTECH. ANY USE OR REPRODUCTION IS SUBJECT TO THE EXPRESS APPROVAL OF BRASSTECH. UNAUTHORIZED USE IS STRICTLY PROHIBITED. ALL RIGHTS RESERVED.

TESTING	ASSEMBLY	PLATING	POLISHING	MACHINING	TOOLING	FIXTURE #	APPLICATION
-	-	-	-	-	-	-	REMOVE ALL BURRS AND SHARP EDGES

UNITS ARE: INCHES [MM]
 TOLERANCES ARE:
 FRACTIONS DECIMALS ANGLES
 $\pm 1/16"$ $.X \pm .1$ [2,5] $\pm 1^\circ$
 $.XX \pm .06$ [1,5]

(X.XXX) DENOTES CRITICAL DIMS.
 ALL THREADS ARE CRITICAL

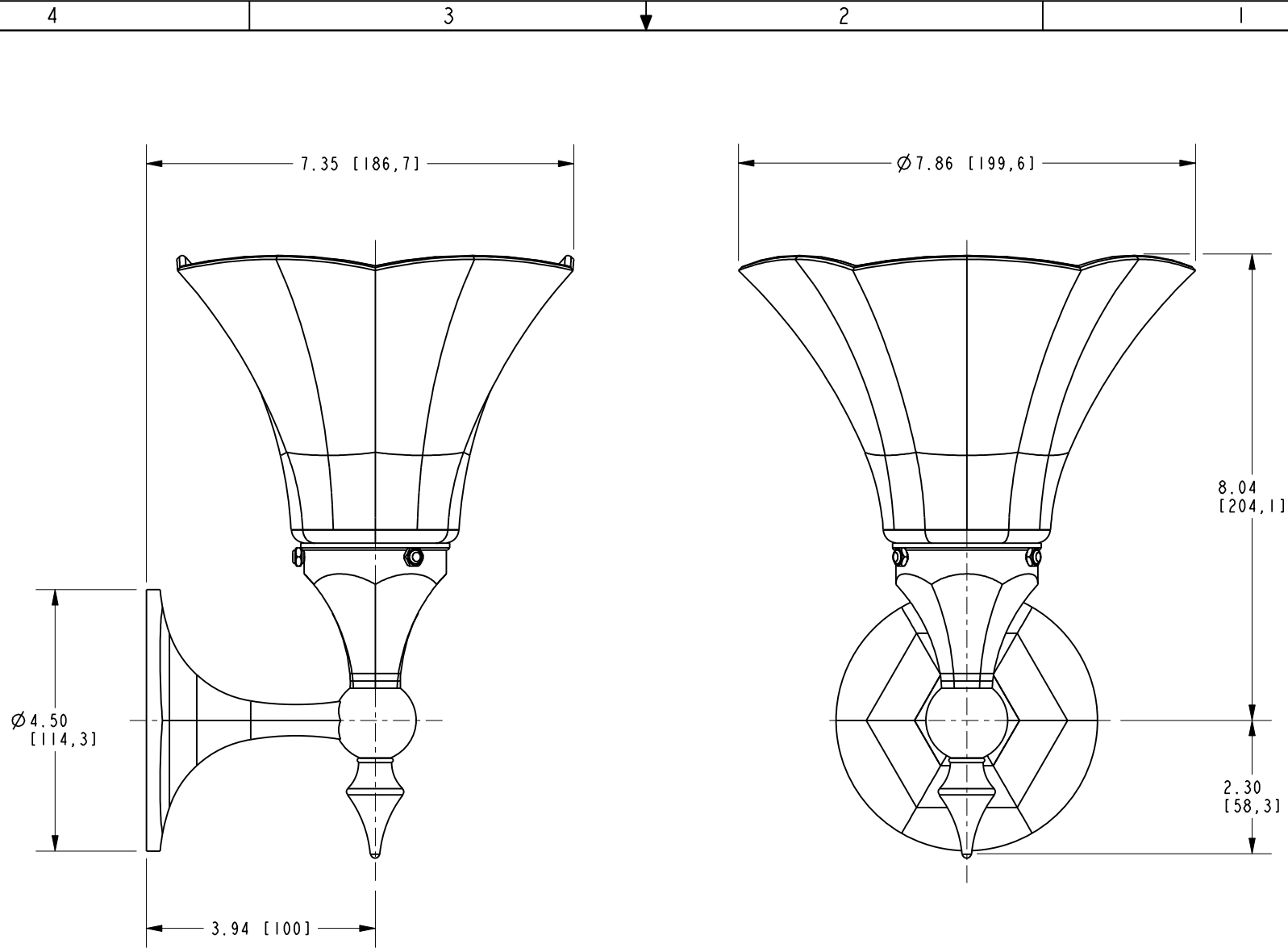
DRAWN	VINAY	08/29/16
CHECKED	RAVINDRA	08/29/16
APPROVED	R.S.	08/29/16

BRASSTECH 2001 CARNEGIE AVE. SANTA ANA, CA 92705 (949) 417-5207
 INCORPORATED

LIGHT W/SATIN OPAL GLASS

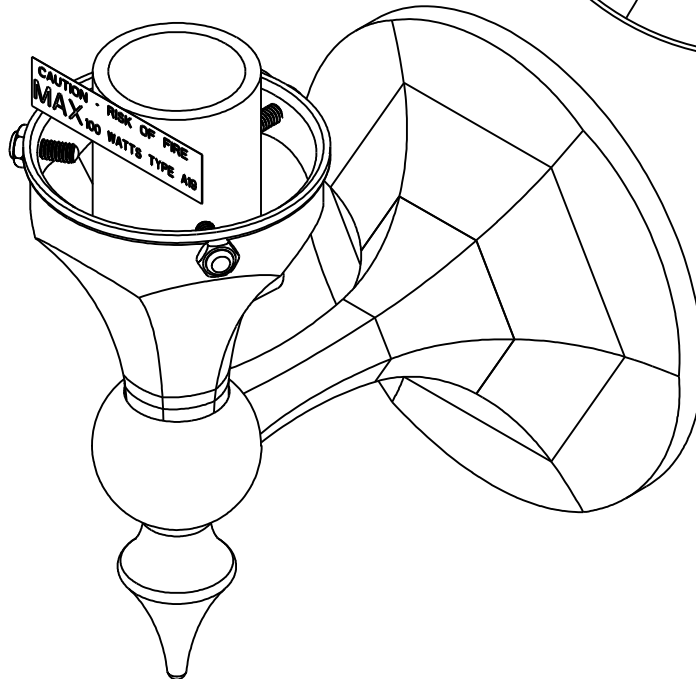
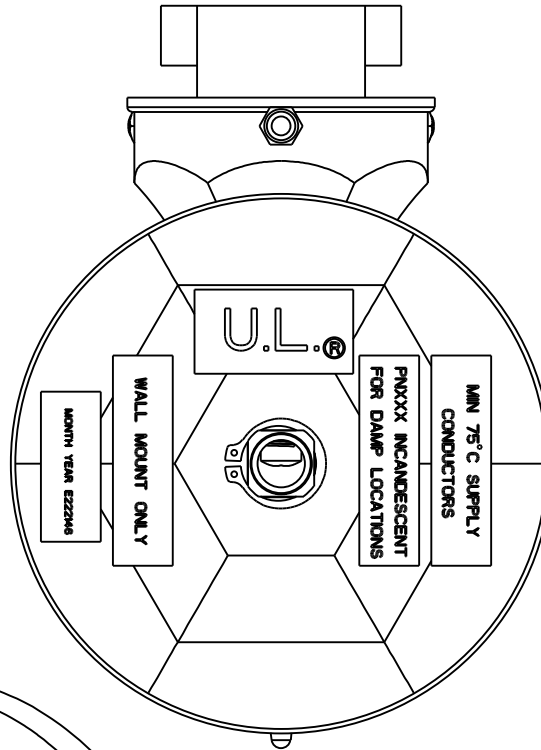
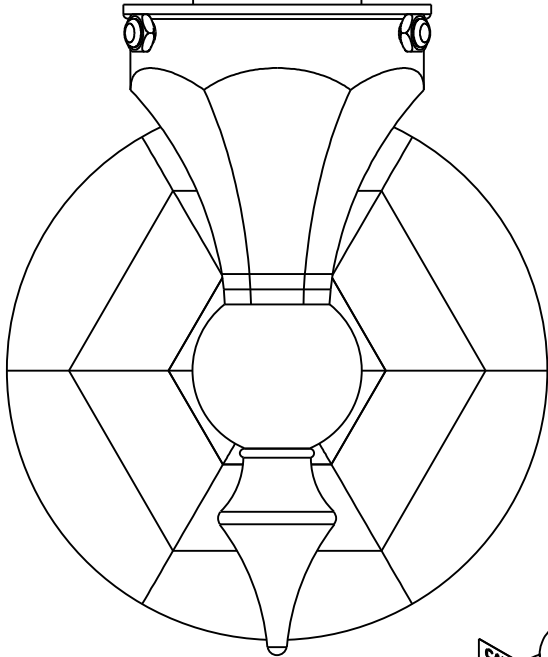
DWG NO. 682SO

SCALE .375 REF. - SHEET 1 OF 3



BRASSTECH		2001 E. CARNEGIE AVE.
INCORPORATED		SANTA ANA, CA 92705
		(949) 417-5207
DWG NO.	682S0	REV B
SCALE .375	REF. -	SHEET 2 OF 3

CAUTION - RISK OF FIRE
MAX 100 WATTS TYPE A19



BRASSTECH 2001 E. CARNEGIE AVE.
INCORPORATED SANTA ANA, CA 92705
(949) 417-5207

DWG NO. 682S0 REV B

SCALE .625 REF. - SHEET 3 OF 3