
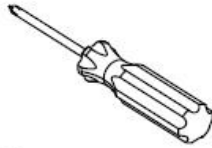



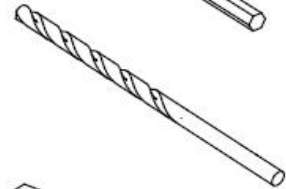

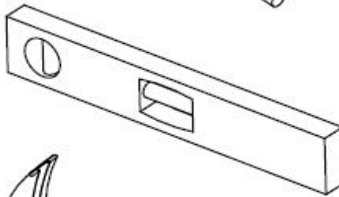

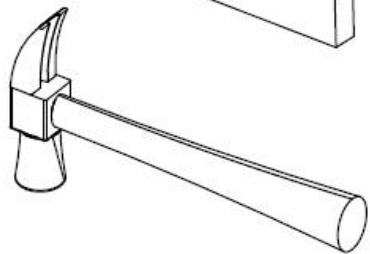

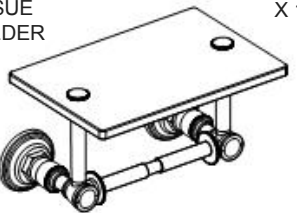


ITEMS INCLUDED		TOOLS REQUIRED	
DRY WALL ANCHOR	 X 4	PHILLIPS SCREW DRIVER	
TILE ANCHOR	 X 4	PEN / PENCIL	
#8 SCREW	 X 4	1/4" (6 mm) DRILL	
MOUNTING BRACKET	 X 2	LEVEL SET	
M6 X 1 SET SCREW	 X 2	HAMMER	
3MM ALLOY STEEL HEX KEY	 X 1		
TISSUE HOLDER	 X 1		

GNG-4827
EN-2086
REV -

EAVON

INSTALLATION INSTRUCTIONS

4827

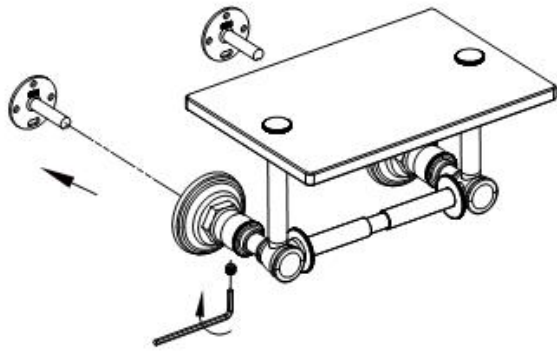
TISSUE HOLDER
W/ GLASS COVER

GINGER

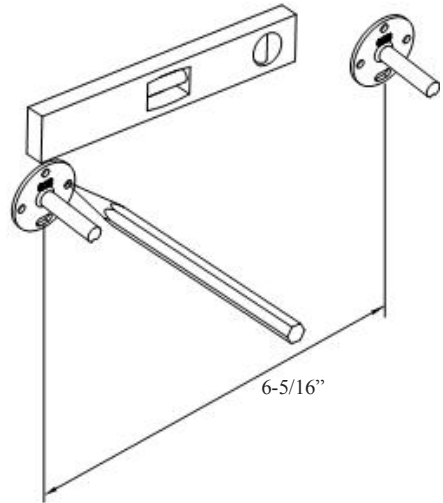
Luxury For Your Lifestyle™

2001 CARNEGIE AVE, SANTA ANA CA 92705
(949) 417-5207
WWW.GINGERCO.COM

① REMOVE MOUNTING BRACKET



② ALIGN MOUNTING BRACKET AND MOUNT LOCATION



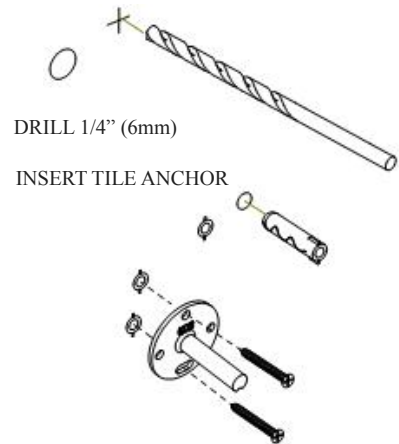
③ DRY WALL INSTALLATION

DO NOT DRILL



④ TILE OR SOLID WALL INSTALLATION

USE MARKS MADE IN STEP 2



⑤ INSTALL PRODUCT ONTO BRACKET

