
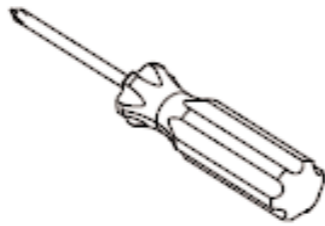

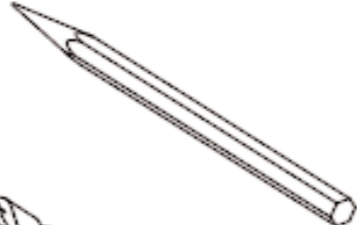



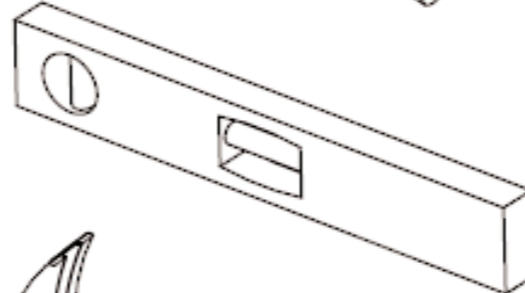

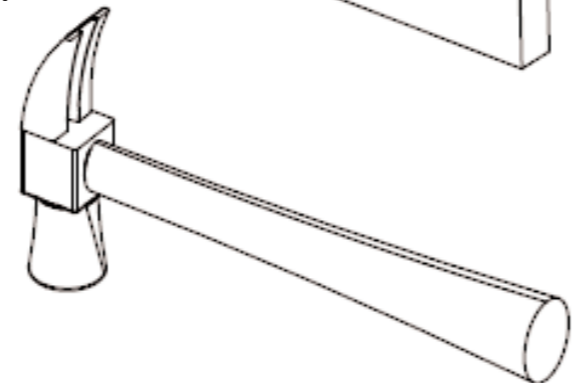

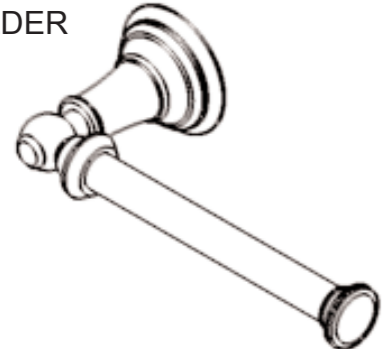


ITEMS INCLUDED		TOOLS REQUIRED	
DRY WALL ANCHOR	 X 2	PHILLIPS SCREW DRIVER	
TILE ANCHOR	 X 2	PEN / PENCIL	
#8 SCREW	 X 2	1/4"(6 mm) DRILL	
MOUNTING BRACKET	 X 1	LEVEL SET	
M6 X 6 SET SCREW	 X 1	HAMMER	
3 MM HEX KEY	 X 1		
TOILET TISSUE HOLDER	 X 1		

## INSTALLATION INSTRUCTIONS

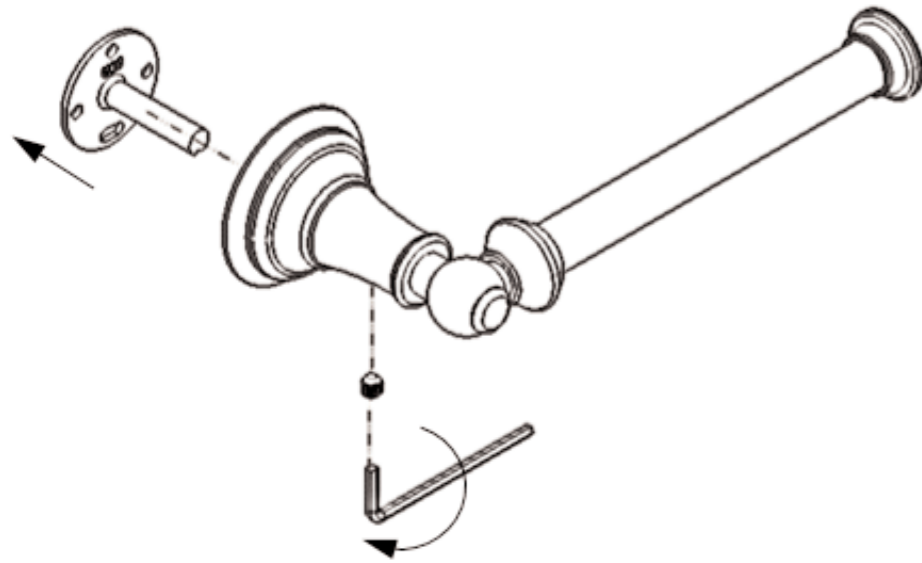
### TOILET TISSUE HOLDER



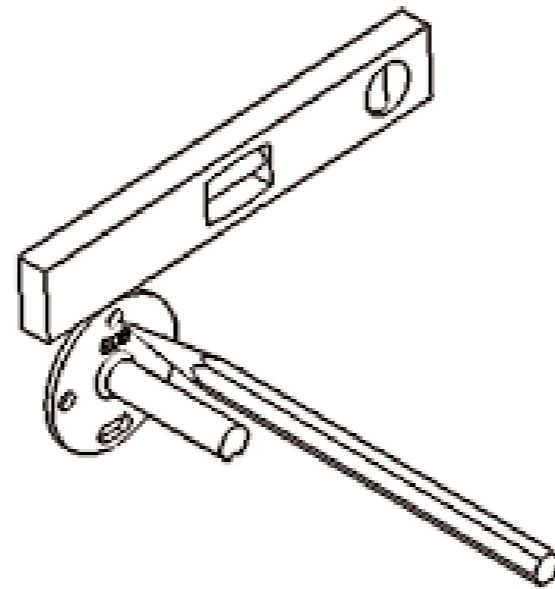
2001 CARNEGIE AVE, SANTA ANA CA 92705  
 (949) 417-5207  
 WWW.NEWPORTBRASS.COM

REV -

① REMOVE MOUNTING BRACKET



② ALIGN MOUNTING BRACKET AND MARK LOCATION



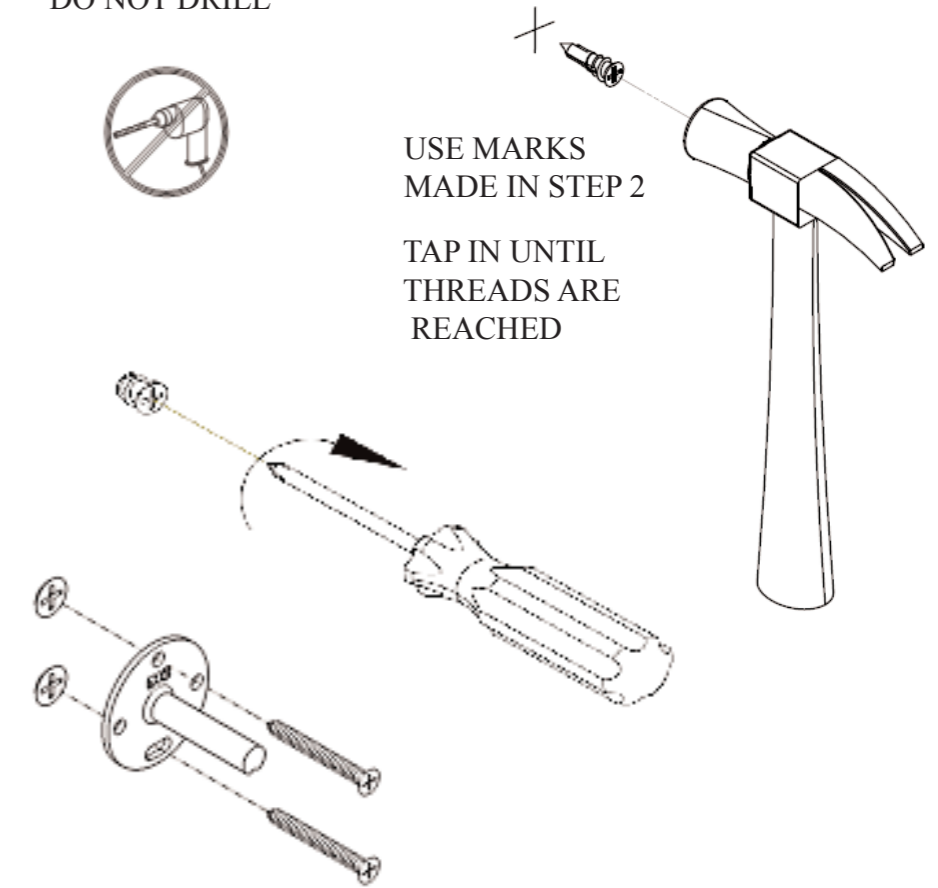
③ DRY WALL INSTALLATION

DO NOT DRILL



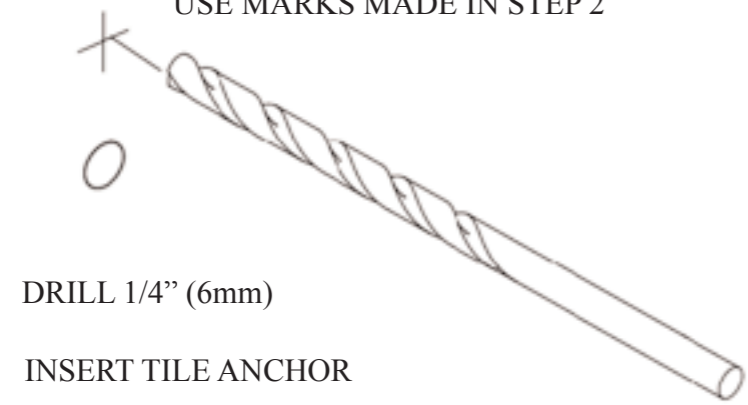
USE MARKS  
MADE IN STEP 2

TAP IN UNTIL  
THREADS ARE  
REACHED



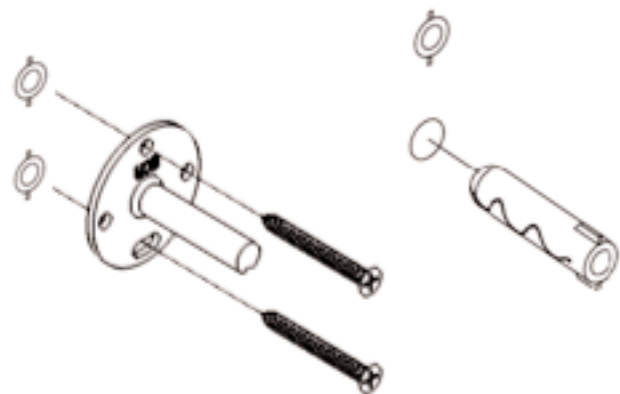
④ TILE OR SOLID WALL INSTALLATION

USE MARKS MADE IN STEP 2

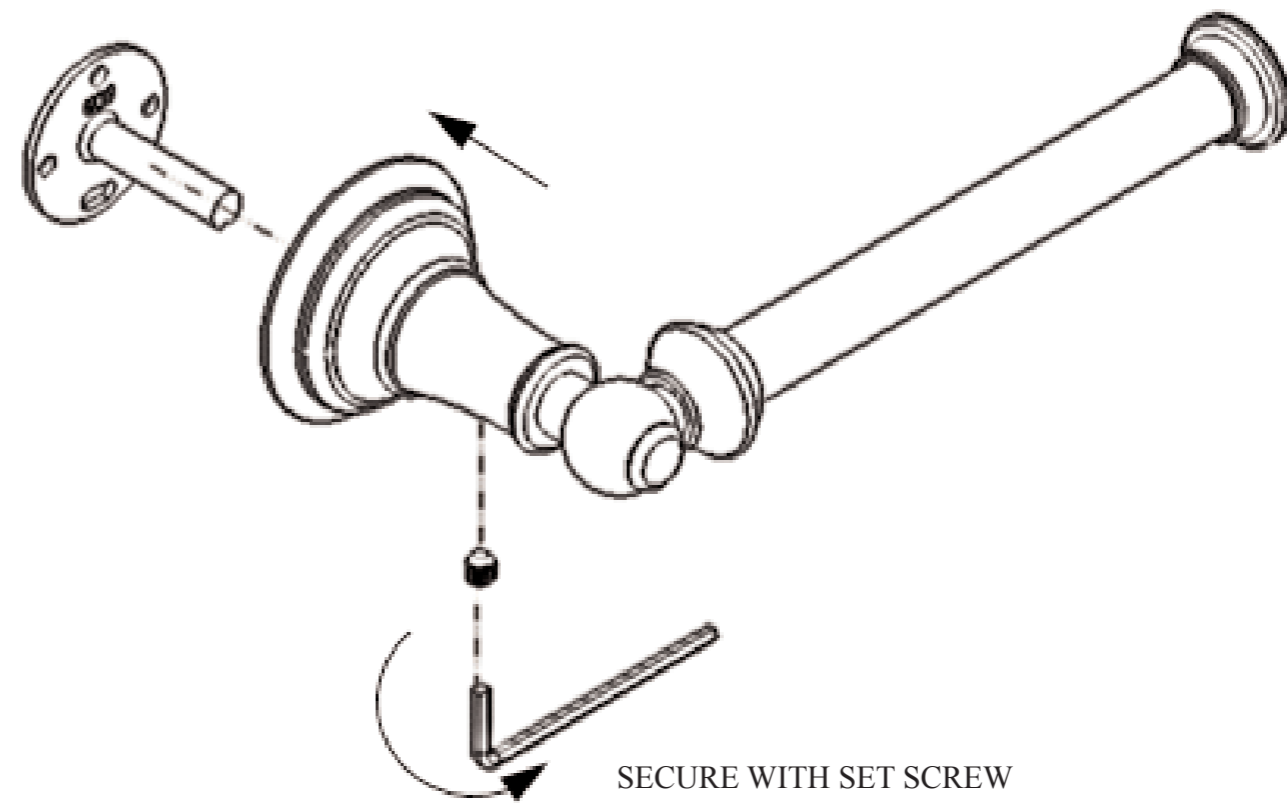


DRILL 1/4" (6mm)

INSERT TILE ANCHOR



⑤ INSTALL PRODUCT ONTO BRACKET



SECURE WITH SET SCREW