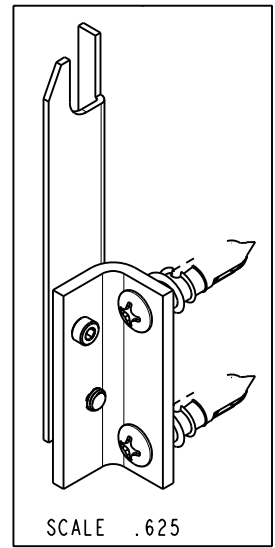
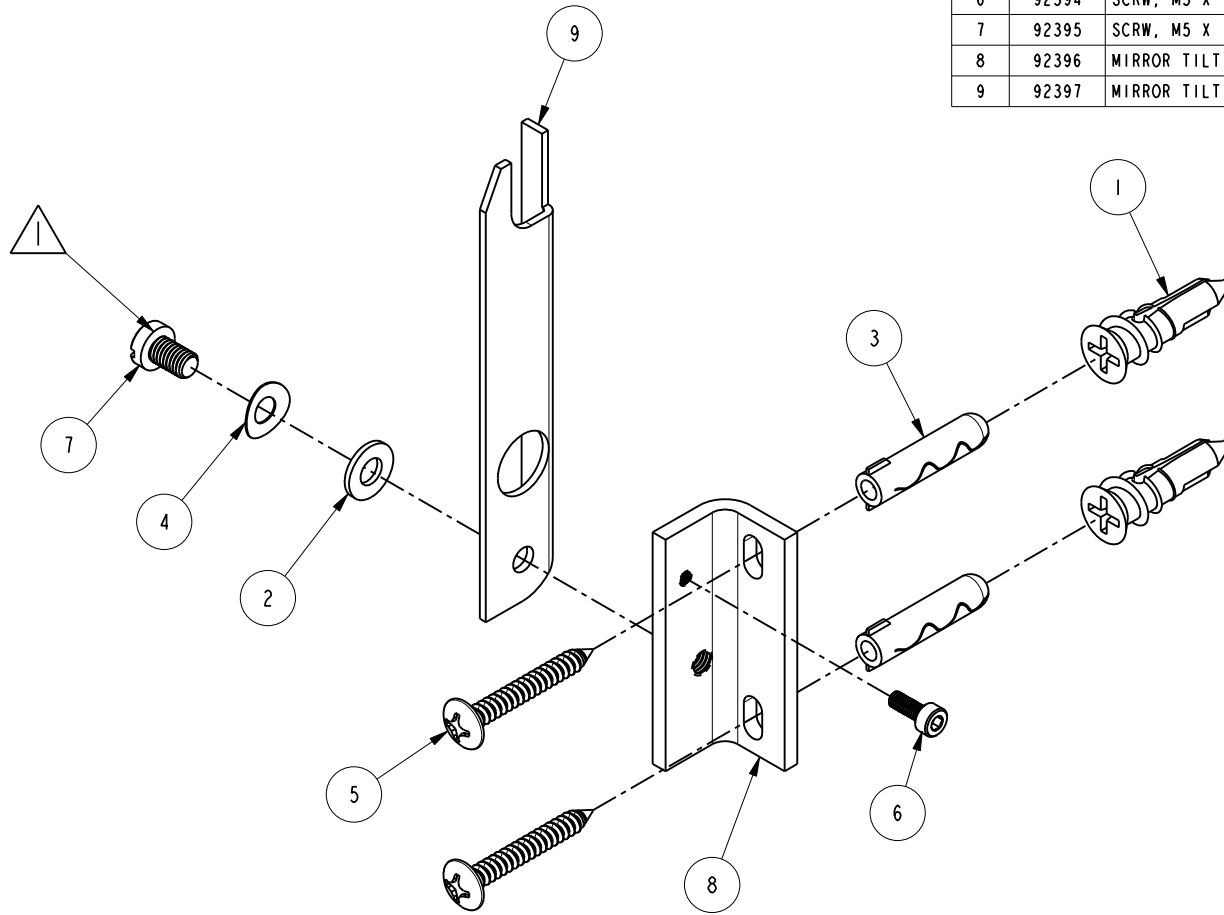
 TORQUE 4.5 ±.5 IN LBS.



BILL OF MATERIAL (CURRENT LEVEL)				
ITEM	PT/ASSY	DESCRIPTION	TYPE	QTY.
1	91460	DRYWALL ANCHOR (TOGGLER.COM SNAP SKRU SPM)	PART	2
2	91466	WSHR, 5.3 ID X 11 OD X 1.13 MM THK, FLT, NYLON	PART	1
3	91479	FLUSH MOUNT WALL ANCHOR (TOGGLER.COM # A6)	PART	2
4	92212	WSHR, 5.2 ID X 10 OD X .5 MM THK BELLEVILLE DISC HC STL	PART	1
5	92361	SCRW, #8 x 1-1/4 PHIL TRUSS HD SS	PART	2
6	92394	SCRW, M3 X .5 X 8 CLASS 12.9 SKT HD CAP ALOY STL	PART	1
7	92395	SCRW, M5 X .8 X 8 CHEESE HD SLT SS	PART	1
8	92396	MIRROR TILT BRACKET BASE	PART	1
9	92397	MIRROR TILT BRACKET ARM	PART	1

COPYRIGHT 2005 GINGER. THESE DRAWINGS AND THE DESIGNS DEPICTED HEREIN ARE THE PROPRIETARY PROPERTY OF GINGER. ANY USE OR REPRODUCTION IS SUBJECT TO THE EXPRESS APPROVAL OF GINGER. UNAUTHORIZED USE IS STRICTLY PROHIBITED. ALL RIGHTS RESERVED.

GINGER

2001 E. CARNEGIE AVE.
SANTA ANNA CA 92705
(949) 417-5207

TILT ASSEMBLY

ASSY. NO. **MTM-009**

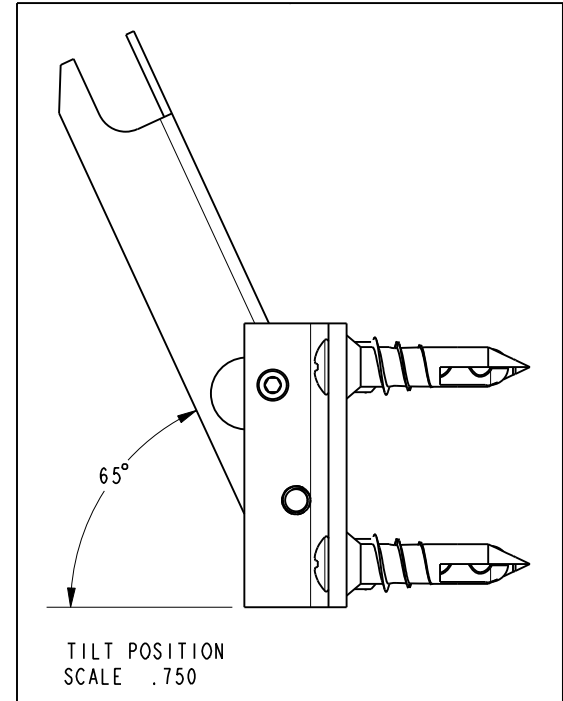
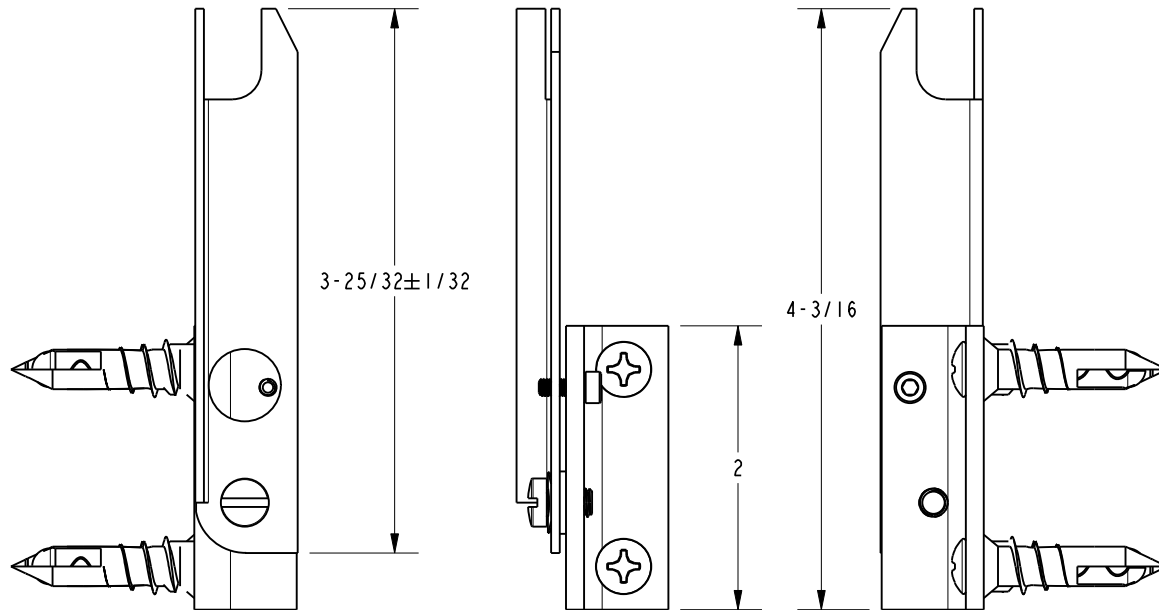
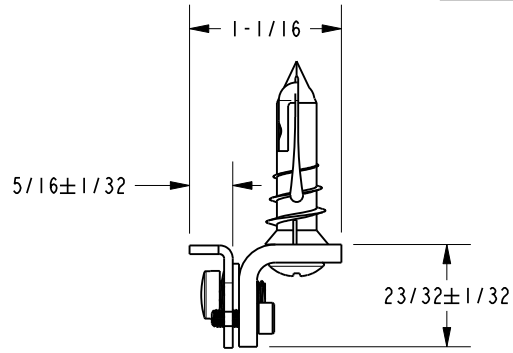
SCALE .750

REF.

SHEET 1 OF 2

C	EN-2508	04/19/13
B	EN-2417	01/14/13
A	EN-1453	01/28/10
REV	REV DESC	DATE

SPECIFICATION DWG



DIMENSIONS ARE IN INCHES AND AN APPROXIMATION OF A TYPICAL INSTALLATION

COPYRIGHT 2005 GINGER. THESE DRAWINGS AND THE DESIGNS DEPICTED HEREIN ARE THE PROPRIETARY PROPERTY OF GINGER. ANY USE OR REPRODUCTION IS SUBJECT TO THE EXPRESS APPROVAL OF GINGER. UNAUTHORIZED USE IS STRICTLY PROHIBITED. ALL RIGHTS RESERVED.

GINGER		2001 CARNEGIE AVE. SANTA ANA, CA 92705 (949) 417-5207	
DWG NO.	MTM-009	REV C	
SCALE .750	REF.	SHEET 2 OF 2	