

Toilet Tissue Holder 4609

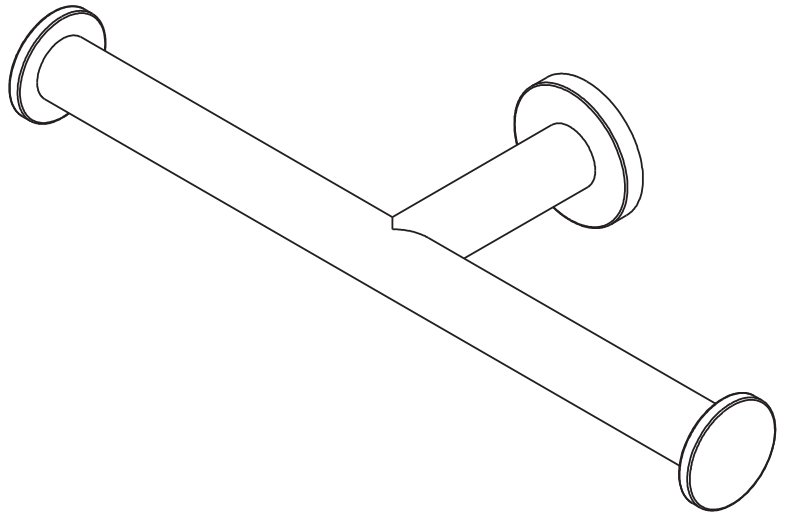
Features

- Solid brass construction
- Single-post design with two open rollers
- Complements Kubic product series

Codes / Standards Compliance

Meets or exceeds the following at date of manufacture:

- All applicable US Federal and State material regulations



Colors / Finishes

- PC: Polished Chrome
- PN: Polished Nickel
- SN: Satin Nickel

Specified Model

Model	Description	Colors Finishes
4609	Double Toilet Tissue Holder	<input type="checkbox"/> PC <input type="checkbox"/> PN <input type="checkbox"/> SN

Product Specification: Add "Color / Finish" Suffix to Model Number Below.

The Toilet Tissue Holder shall be made of solid brass construction and incorporate a single-post design utilizing two open rollers. Toilet Tissue Holder shall complement Ginger Kubic product series. Toilet Tissue Holder shall be Ginger Model 4609/_____.

4609

Product Dimensions (units are in inches)

