

HANDLING & ASSEMBLY OF D.S./ DSHO SHOE

Both D.S./DSHO shoes must be “handed” to match door before mounting. See Figure 1.

For Left arm doors: All shoes are shipped assembled for left hand doors. Insert 5/16” (8mm) Hex wrench into arm stop and turn counter-clockwise to seat stop as tightly as possible.

For Right arm doors: (See illustration) Push filler plug out of shoe. Using a 5/16” (8mm) Hex wrench, turn arm stop clockwise to remove from shoe. Thread arm stop in hold marked “R”. Turn wrench counter-clockwise seating stop as tightly as possible. Insert filler plug into other hole.

CAUTION

IMPROPER INSTALLATION OR REGULATION MAY RESULT IN PERSONAL INJURY OR PROPERTY DAMAGE

FOLLOW ALL INSTRUCTIONS CAREFULLY FOR QUESTIONS CONTACT DEALER.

CAUTION

DO NOT BACK VALVES OUT OF CLOSER OR LEAK WILL RESULT

SPRING POWER TO DOOR WIDTH CHART

MAXIMUM DOOR WIDTH		FULL TURNS REQUIRED
EXTERIOR DOORS	INTERIOR DOORS	
	5LB - f °	5 TURNS C.C.W
8.5LB - f °	34"	2 TURNS C.C.W
30"	38"	0 TURNS
36"	48"	5 TURNS C.W
42"	54"	10 TURNS C.W
48"	60"	15 TURNS C.W

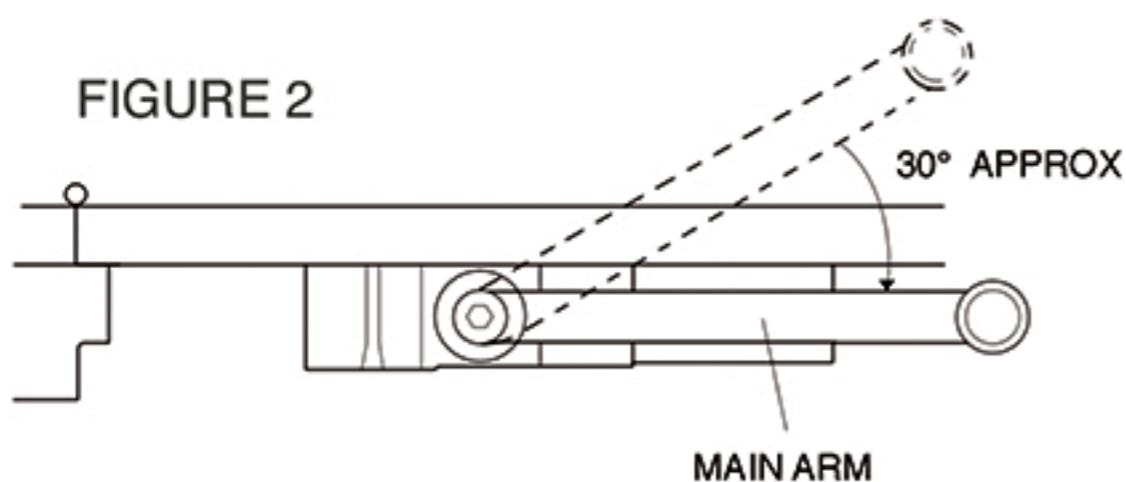
REGULATION: The BA series closer has been regulated prior to shipment if adjustments re necessary, carefully follow instructions.

CLOSING SPEED: See Closer Control diagram on previous page. To adjust main speed, turn regulation screw clockwise to decrease or counter-clockwise to increase. To adjust latch speed, turn regulation screw clockwise to decrease or counter-clockwise to increase. Regulation screws locations are shown next page.

BACKCHECK: Is essential for proper operation of Cush-Stop. Use enough backcheck to prevent arm from striking arm stop with impact. To decrease resistance, turn regulation screw clockwise.

- DO NOT USE ABRUPT BACKCHECK! -

FIGURE 2

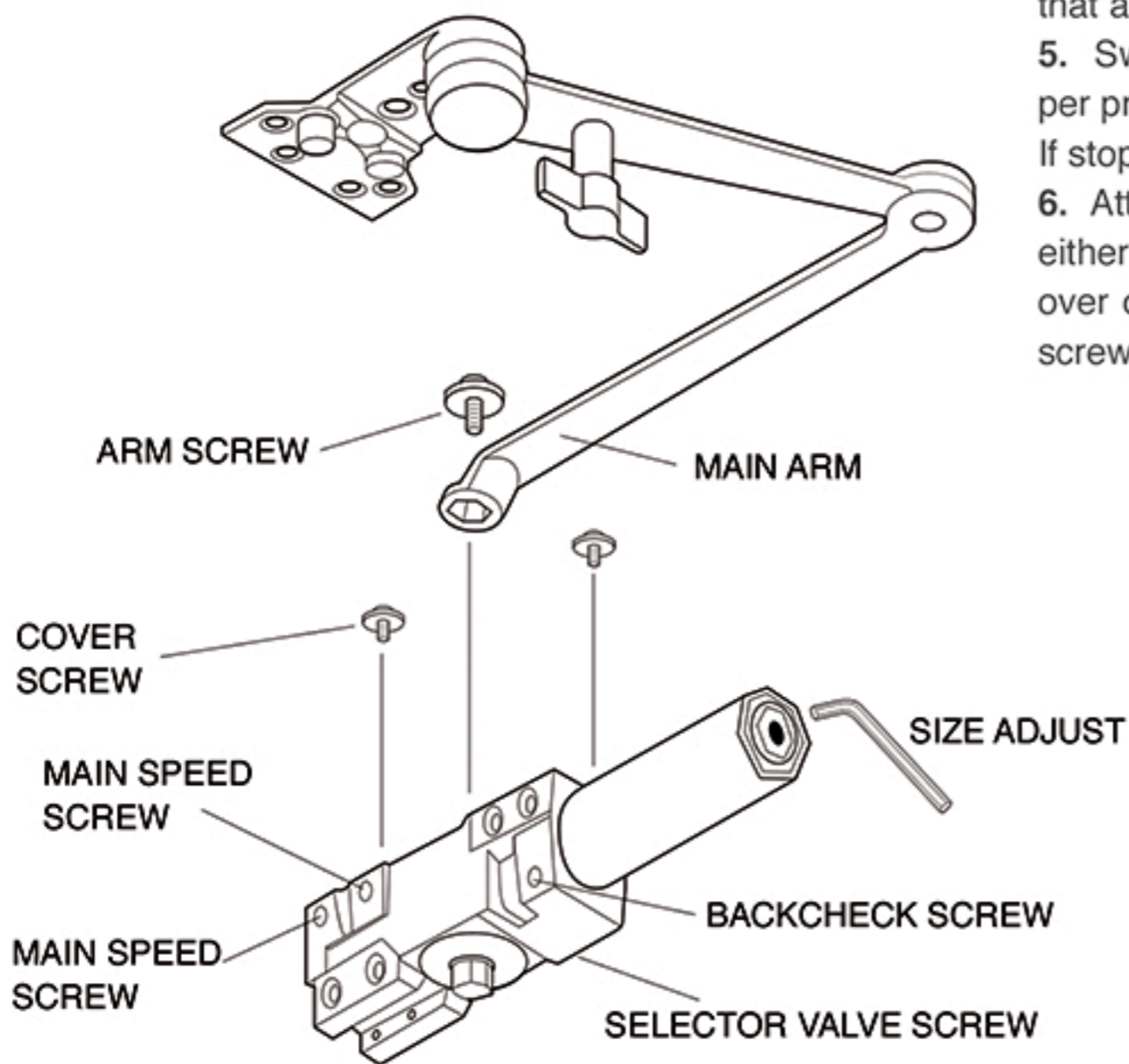


INSTALLATION & ADJUSTMENT INSTRUCTIONS

(Left hand shown - Right hand opposite)

Before installing the arm turn Backcheck Selector Valve (on the back of closer) all the way in.

1. Adjust Spring power to match door width as indicated by chart on the left page.
2. Select proper templating on opposite page, based on degree of opening/dead stop. The closer and arm holes must be located for same degree of opening/dead stop. Drill and/or tap mounting holes in door and head jamb.
3. Attach complete arm to closer as shown at left. Arm will be about a 30° angle to closer body. Fasten with arm shaft screw. The arm will appear to be in an incorrect position, this is to accommodate the pre-load required for parallel arm mounted door closers. See figure 2.
4. Mount closer on door using provided fasteners. Note that arm will provide some resistance.
5. Swing door open about 45°. Mount shoe to frame stop per proper templating. Be sure to install the 5th screw. If stop is not wide enough, use provided spacer block.
6. Attach Cover: Place cover inserts into proper slots for either Right Hand door or Left Hand door, Place cover over closer and hold against door while tightening cover screws firmly.



REMOVABLE INSERTS TO CONVERT TO OPPOSITE HAND COVER

OPTIONAL DROP PLATE

