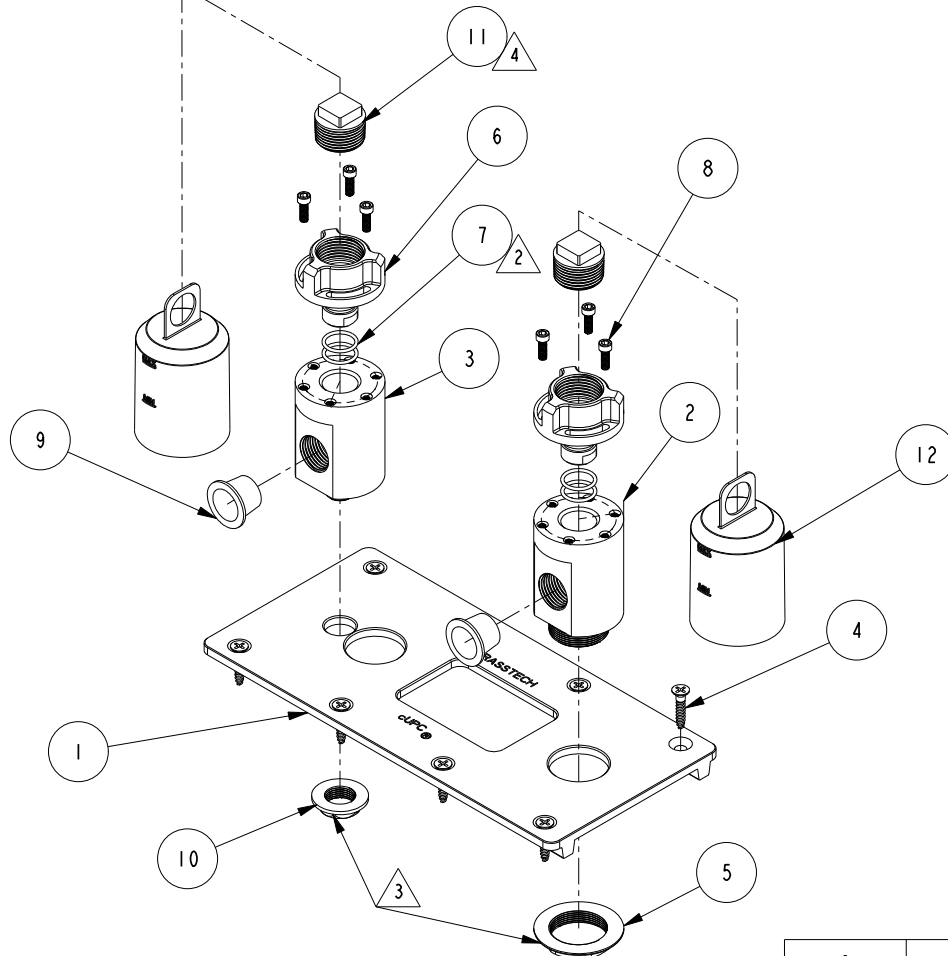


NOTES:

1. TO INSPECT ASSEMBLY, FOLLOW FIRST ARTICLE AND IN PROCESS INSPECTION SHEET.

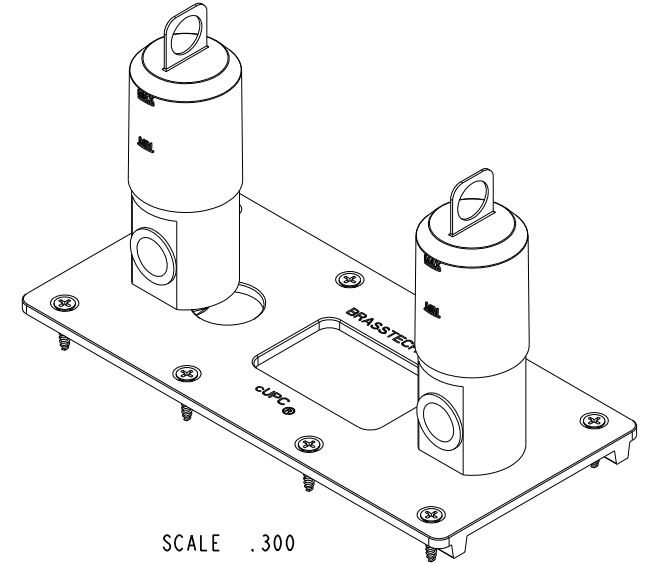
- 2 APPLY LIGHT FILM OF DOW CORNING 111 SILICONE COMPOUND.
- 3 APPLY TORQUE 30 LB-FT.
- 4 PUT THESE ITEMS IN SEPARATE PLASTIC BAGS.



SCALE .250

BILL OF MATERIAL (CURRENT LEVEL)

ITEM	PT/ASSY	DESCRIPTION	TYPE	QTY.
1	12785	Support Plate 6" & 7" Center Holes	PART	1
2	12786	ADAPTER	PART	1
3	12788	ADAPTER	PART	1
4	92832	SCREW, #10 X 1 PHL FLT HD SS	PART	8
5	10174	NUT, QUICK CONNECT	PART	1
6	12787	QUICK CONNECT ADAPTER	PART	2
7	91020	O-RING, #2-016, EPDM, 65-75 DURO, NSF 6	PART	4
8	92835	SCRW, 8-32 X 1/2" HEX SKT HD CAP SS	PART	6
9	91720	PLASTIC PUSH-ON TAPERED CAPS	PART	2
10	10607	HEX NUT	PART	1
11	91741	3/4 NPT PLUG	PART	2
12	91732	Muguard	PART	2



SCALE .300

UNITS ARE: INCHES [MM]  
TOLERANCES ARE:  
FRACTIONS DECIMALS ANGLES  
±1/16" .X ±.1 [2.5] ±1°  
.XX ±.06 [1.5]  
(X.XXX) DENOTES CRITICAL DIMS.  
ALL THREADS ARE CRITICAL

DRAWN G.B. 01/10/20  
CHECKED J.M. 01/10/20  
APPROVED J.M. 01/10/20

**BRASSTECH** 2001 CARNEGIE AVE.  
INCORPORATED SANTA ANA, CA 92705  
(949) 417-5207

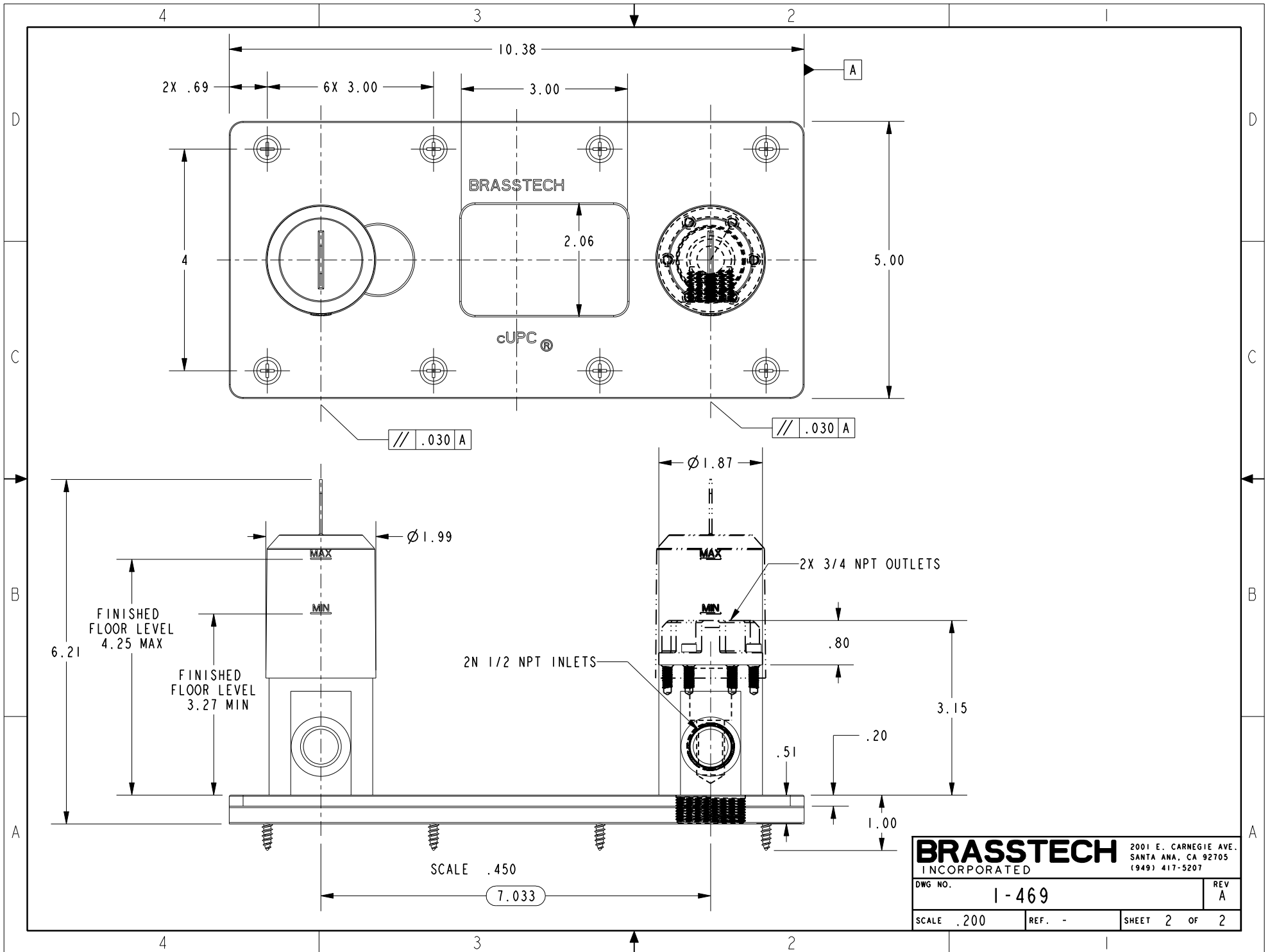
Rough Kit For Floor Mount  
Tub Filler

DWG NO. 1-469 REV A  
SCALE .200 REF. - SHEET 1 OF 2

ZONE	REV	DESCRIPTION	DATE	APPROVED
-	A	EN-4437	12/20/21	J.M.
-	-	EN-4279	01/10/20	J.M.

COPYRIGHT 2005 BRASSTECH, INC.  
THESE DRAWINGS AND THE DESIGNS  
DEPICTED HEREIN ARE THE PROPRIETARY  
PROPERTY OF BRASSTECH. ANY USE  
OR REPRODUCTION IS SUBJECT TO  
THE EXPRESS APPROVAL OF BRASSTECH.  
UNAUTHORIZED USE IS STRICTLY  
PROHIBITED. ALL RIGHTS RESERVED.

TESTING	-	-	-
ASSEMBLY	-	-	-
PLATING	-	-	1500-4262
POLISHING	-	NEXT ASSY	USED ON
MACHINING	-	APPLICATION	
TOOLING FIXTURE #	REMOVE ALL BURRS AND SHARP EDGES		



Surface texture symbol:  $\text{///} \ .030 \ A$

Surface texture symbol:  $\text{///} \ .030 \ A$

SCALE .450

7.033

<b>BRASSTECH</b>		2001 E. CARNEGIE AVE. SANTA ANA, CA 92705 (949) 417-5207	
DWG NO.	1-469	REV	A
SCALE .200	REF. -	SHEET 2 OF 2	