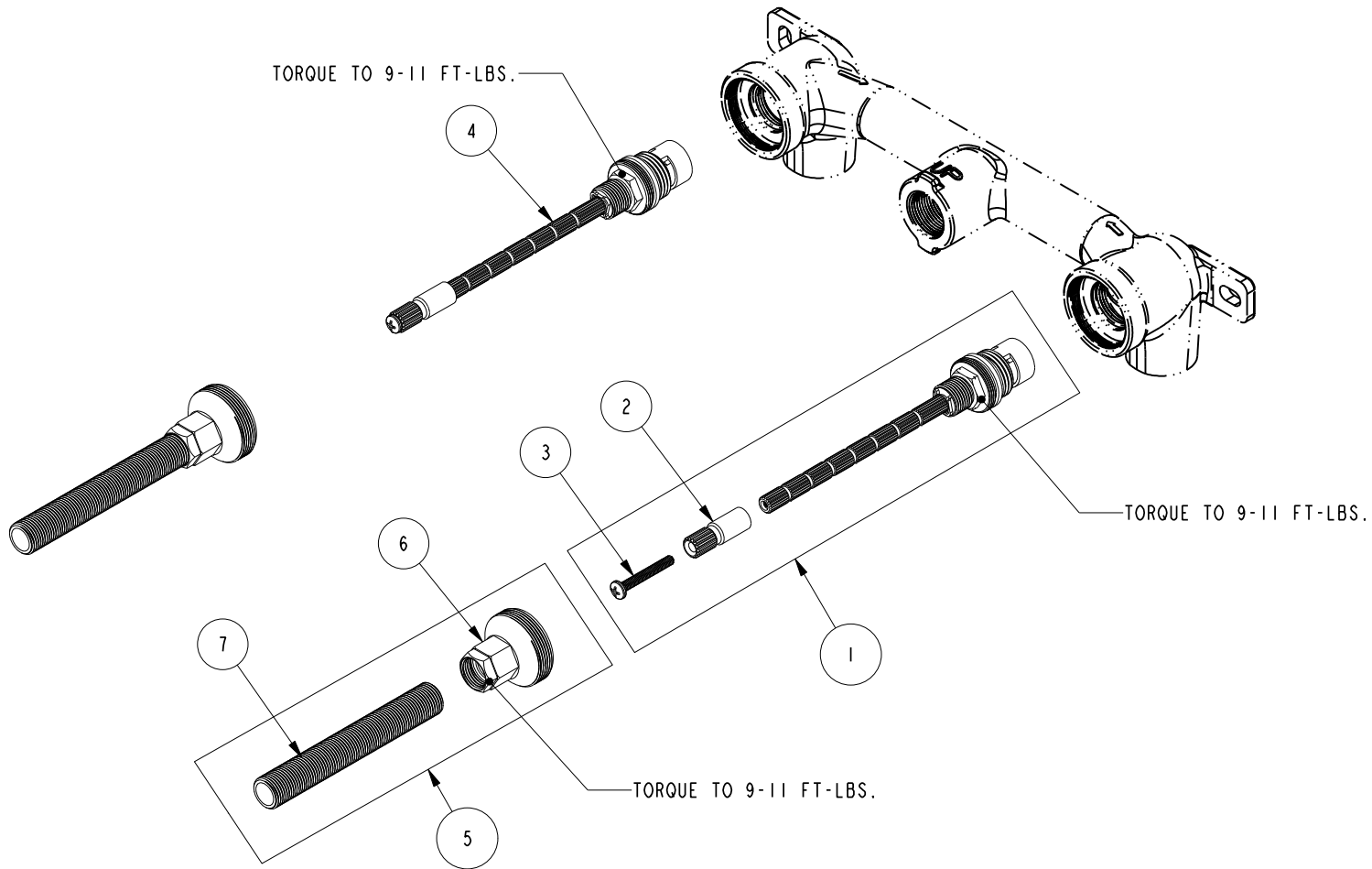


REPLACEMENT PARTS

ITEM	PT/ASSY	SPECIFY FINISH	DESCRIPTION
1	1-452		T/S CARTRIDGE-COLD
2	12790		1.20" ADAPTER- 20-T X 16-T
3	92850		M4 X .7 X 30 MM PHIL PAN HD SS
4	1-453		T/S CARTRIDGE-HOT
5	1-455		NIPPLE ASM
6	13308		NUT
7	10631		NIPPLE 9/16-20



TUB - VALVE ROUGH
1-500U

REV B EN-4702 09/05/23 APPROVED RS

NEWPORT BRASS.

t: 949.417.5207 | www.newportbrass.com