

4

3

2

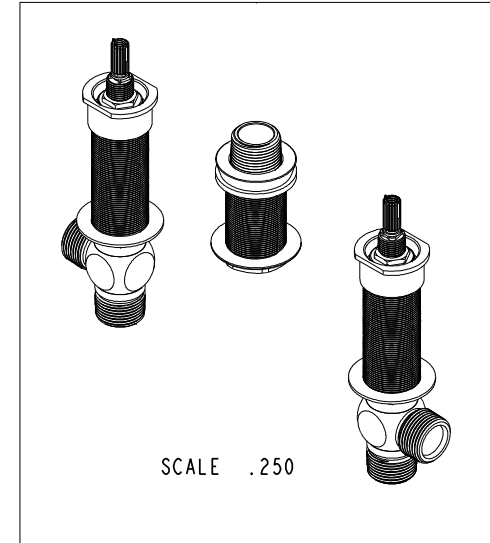
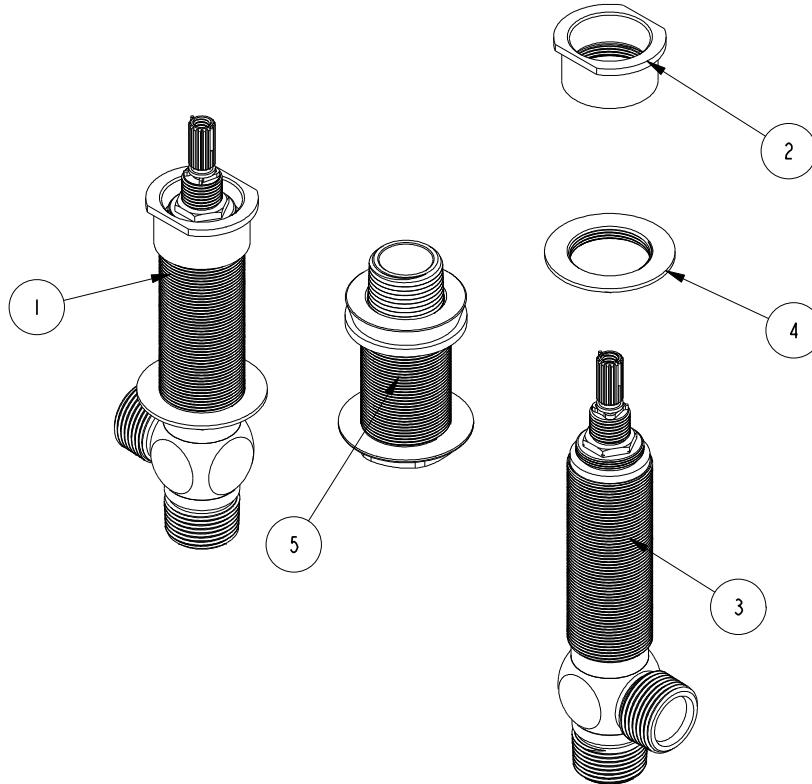
1

NOTES:

1. TO INSPECT ASSEMBLY, FOLLOW FIRST ARTICLE AND IN PROCESS INSPECTION SHEET.

BILL OF MATERIAL (CURRENT LEVEL)

ITEM	PT/ASSY	DESCRIPTION	TYPE	QTY.
1	1-552	R/T CART / VALVE ASSY - HOT	ASSEMBLY	1
2	12280	R/T-INVERT_FLANGE NUT	PART	2
3	1-553	R/T CARTR / VALVE ASSY - COLD	ASSEMBLY	1
4	10529	MOUNTING NUT	PART	2
5	1-016	ROMAN TUB QUICK DISCONNECT	ASSEMBLY	1



ZONE	REV	DESCRIPTION	DATE	APPROVED
-	C	EN-4300kk	03/23/21	R. S.
-	B	EN-4162	05/04/20	J. M.
-	A	EN-2541-1	09/05/14	J. M.
-	-	EN-1265	10/12/09	-

COPYRIGHT 2005 BRASSTECH, INC.
THESE DRAWINGS AND THE DESIGNS
DEPICTED HEREIN ARE THE PROPRIETARY
PROPERTY OF BRASSTECH. ANY USE
OR REPRODUCTION IS SUBJECT TO
THE EXPRESS APPROVAL OF BRASSTECH.
UNAUTHORIZED USE IS STRICTLY
PROHIBITED. ALL RIGHTS RESERVED.

TESTING			
ASSEMBLY	-	-	-
PLATING	-	-	-
POLISHING	-	NEXT ASSY	USED ON
MACHINING	-	APPLICATION	
TOOLING FIXTURE #	REMOVE ALL BURRS AND SHARP EDGES		

UNITS ARE: INCHES [MM]
TOLERANCES ARE:
FRACTIONS DECIMALS ANGLES
 $\pm 1/16"$.X \pm .1 [2.5] $\pm 1^\circ$
.XX \pm .06 [1.5]

(X.XXX) DENOTES CRITICAL DIMS.
ALL THREADS ARE CRITICAL

DRAWN - -
CHECKED - -
APPROVED - -

BRASSTECH
INCORPORATED

2001 CARNEGIE AVE.
SANTA ANA, CA 92705
(949) 417-5207

ROMAN TUB VALVE ROUGH

DWG NO.

1-665

REV
C

SCALE .375

REF. -

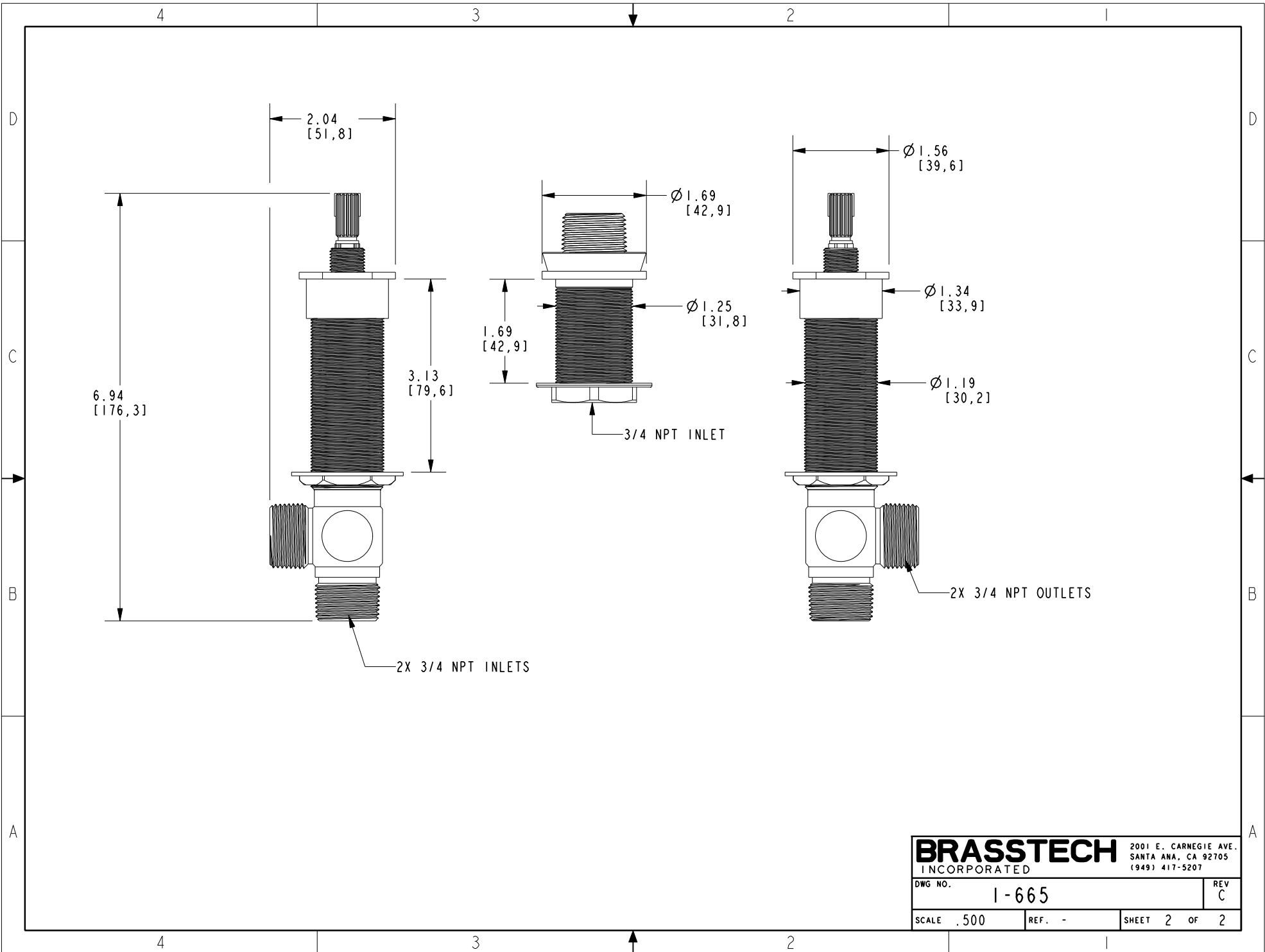
SHEET 1 OF 2

4

3

2

1



BRASSTECH		2001 E. CARNEGIE AVE. SANTA ANA, CA 92705 (949) 417-5207	
DWG NO.	1-665	REV	C
SCALE	.500	REF.	-
		SHEET	2 OF 2