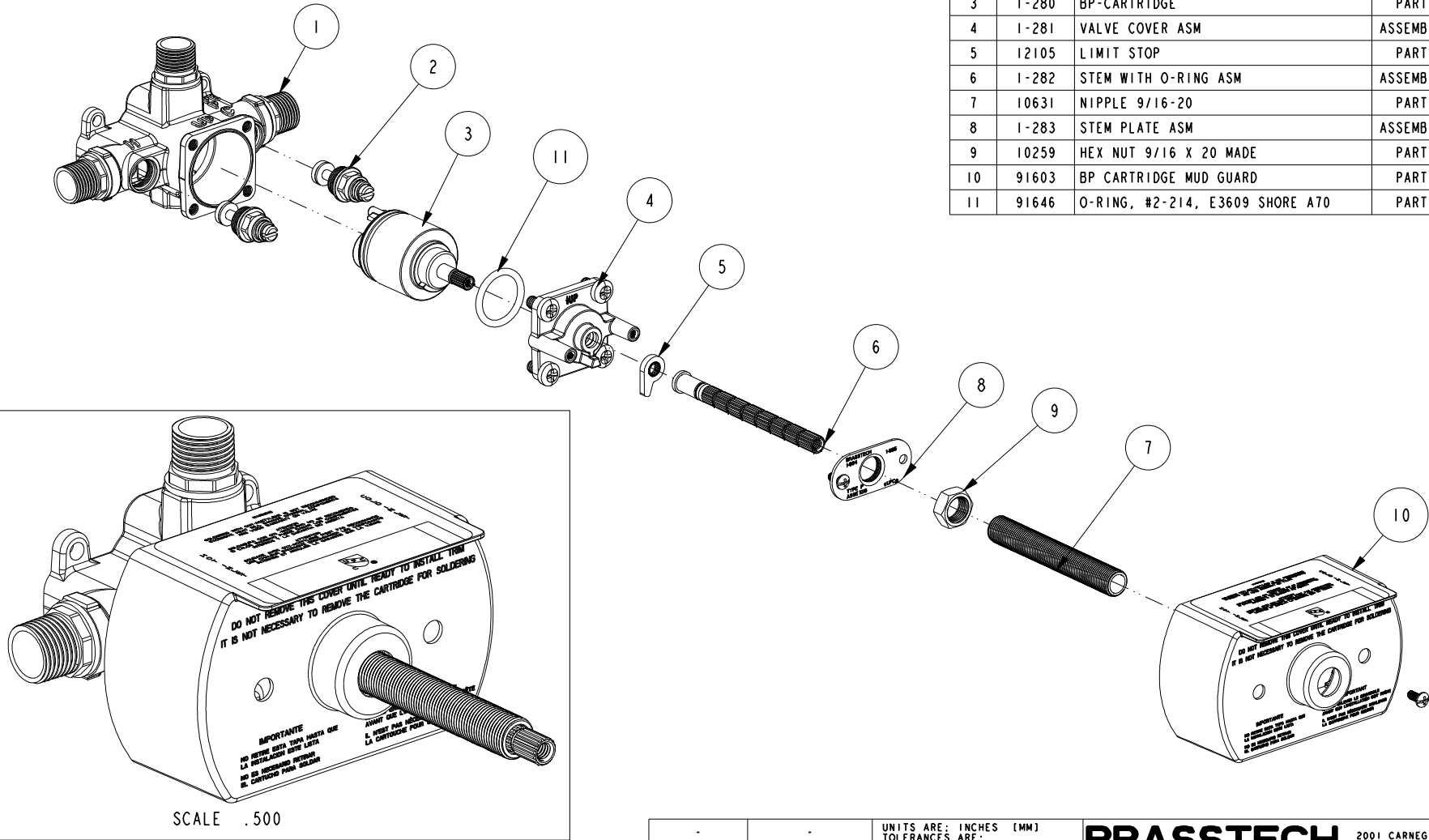


NOTES:

1. TO INSPECT ASSEMBLY, FOLLOW FIRST ARTICLE AND IN PROCESS INSPECTION SHEET.

BILL OF MATERIAL (CURRENT LEVEL)

ITEM	PT/ASSY	DESCRIPTION	TYPE	QTY.
1	1-284	BP VALVE BODY W/ ADAPTERS	ASSEMBLY	1
2	1-278	BP CARTRIDGE - STOP	ASSEMBLY	2
3	1-280	BP-CARTRIDGE	PART	1
4	1-281	VALVE COVER ASM	ASSEMBLY	1
5	12105	LIMIT STOP	PART	1
6	1-282	STEM WITH O-RING ASM	ASSEMBLY	1
7	10631	NIPPLE 9/16-20	PART	1
8	1-283	STEM PLATE ASM	ASSEMBLY	1
9	10259	HEX NUT 9/16 X 20 MADE	PART	1
10	91603	BP CARTRIDGE MUD GUARD	PART	1
11	91646	O-RING, #2-214, E3609 SHORE A70	PART	1



TESTING	-	-	-
ASSEMBLY	-	-	-
PLATING	-	-	-
POLISHING	-	NEXT ASSY	USED ON
MACHINING	-	APPLICATION	
TOOLING FIXTURE #	REMOVE ALL BURRS AND SHARP EDGES		

UNITS ARE: INCHES [MM]
 FRACTIONS DECIMALS ANGLES
 ±1/16" .X ±.1 [2.5] ±°
 .XX ±.06 [1.5]

(X.XXX) DENOTES CRITICAL DIMS.
 ALL THREADS ARE CRITICAL

DRAWN	R.S.	10/03/12
CHECKED	J.M.	10/03/12
APPROVED	J.M.	10/03/12

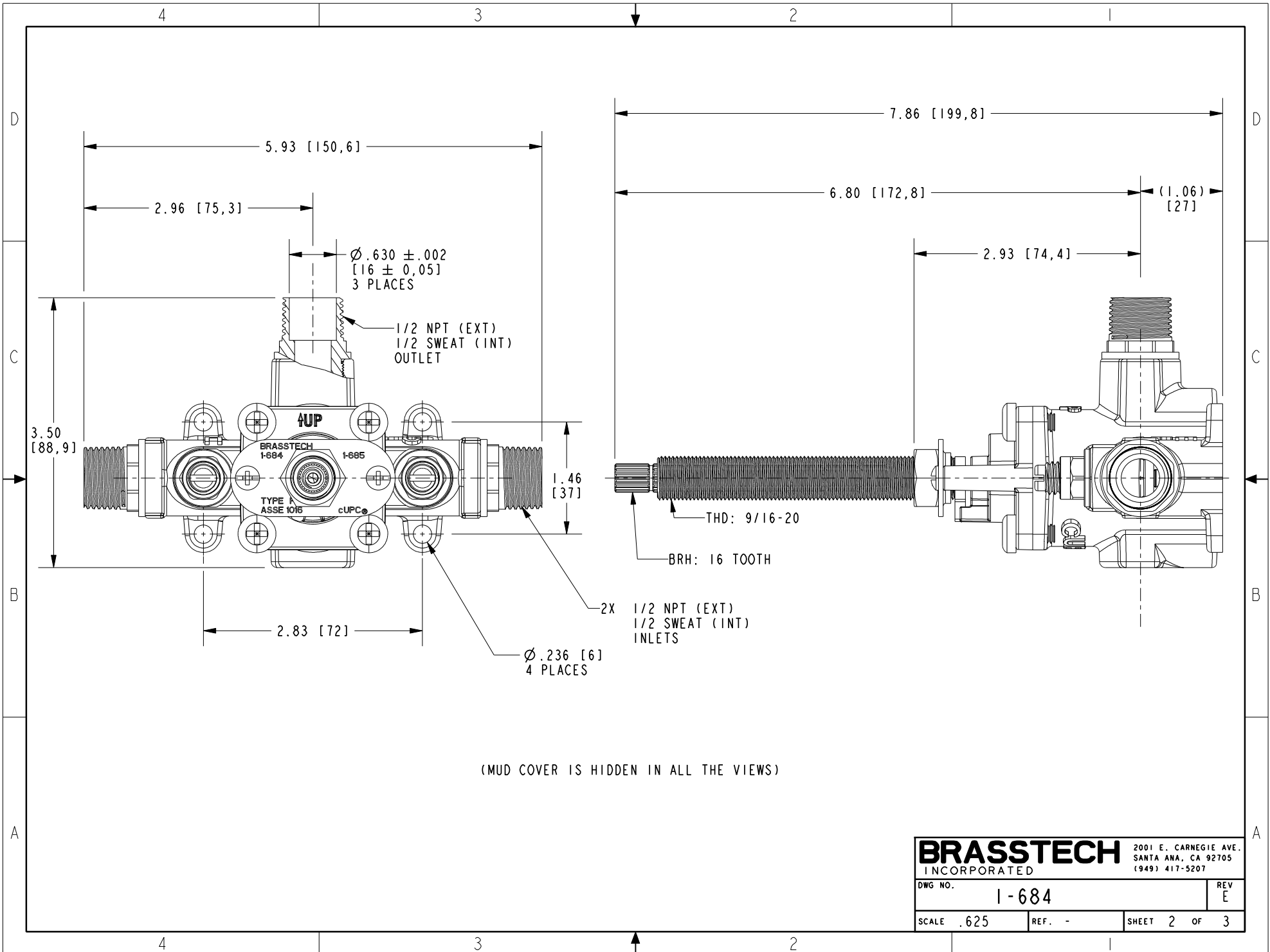
BRASSTECH 2001 CARNEGIE AVE.
 INCORPORATED SANTA ANA, CA 92705
 (949) 417-5207

BP VALVE ASM

DWG NO.	1-684	REV	E
SCALE	.312	REF.	-
SHEET	1	OF	3

COPYRIGHT 2005 BRASSTECH, INC.
 THESE DRAWINGS AND THE DESIGNS
 DEPICTED HEREIN ARE THE PROPRIETARY
 PROPERTY OF BRASSTECH. ANY USE
 OR REPRODUCTION IS SUBJECT TO
 THE EXPRESS APPROVAL OF BRASSTECH.
 UNAUTHORIZED USE IS STRICTLY
 PROHIBITED. ALL RIGHTS RESERVED.

ZONE	REV	DESCRIPTION	DATE	APPROVED
-	E	EN-4300kk	03/24/21	R.S.



BRASSTECH		2001 E. CARNEGIE AVE. SANTA ANA, CA 92705 (949) 417-5207	
DWG NO.	1-684	REV	E
SCALE	.625	REF.	-
SHEET 2		OF 3	

4

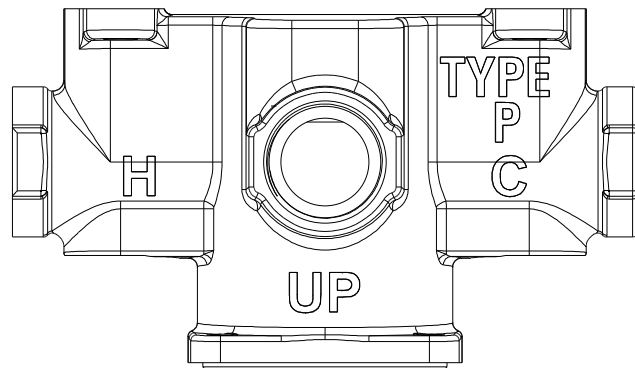
3

2

1

D

D



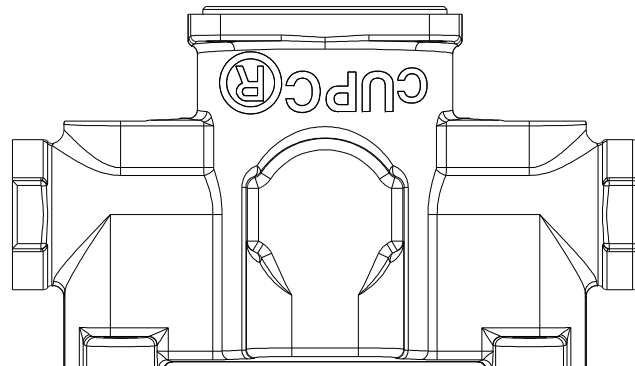
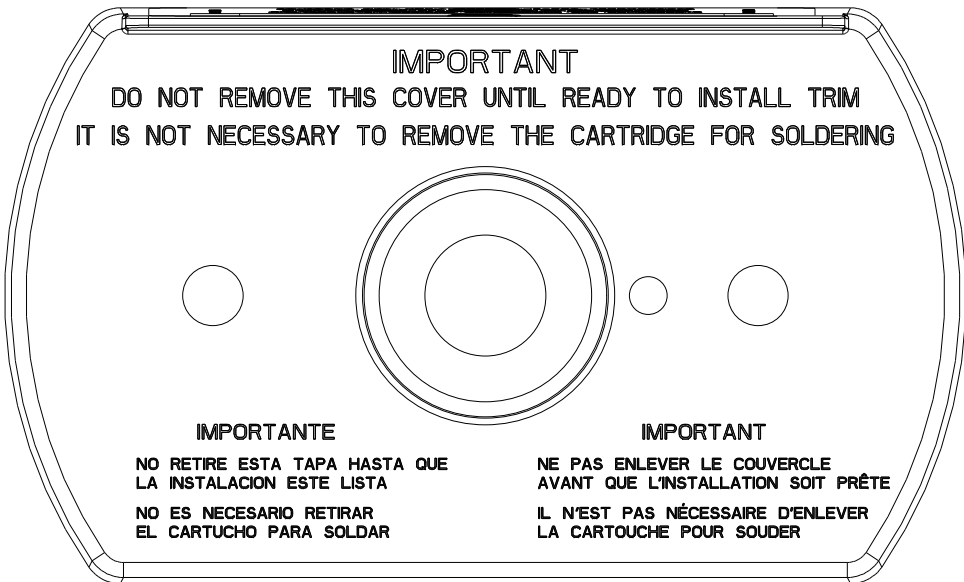
SCALE .750

C

C

B

B



SCALE .750

A

A

4

3

2

1

BRASSTECH		2001 E. CARNEGIE AVE. SANTA ANA, CA 92705 (949) 417-5207	
DWG NO.	1-684	REV	E
SCALE .500	REF. -	SHEET 3	OF 3