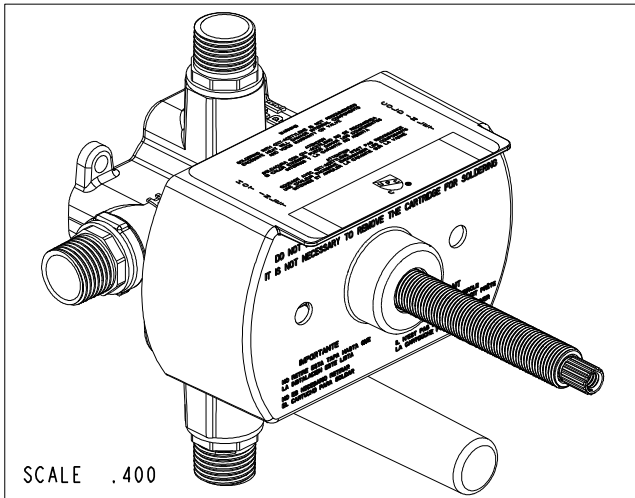
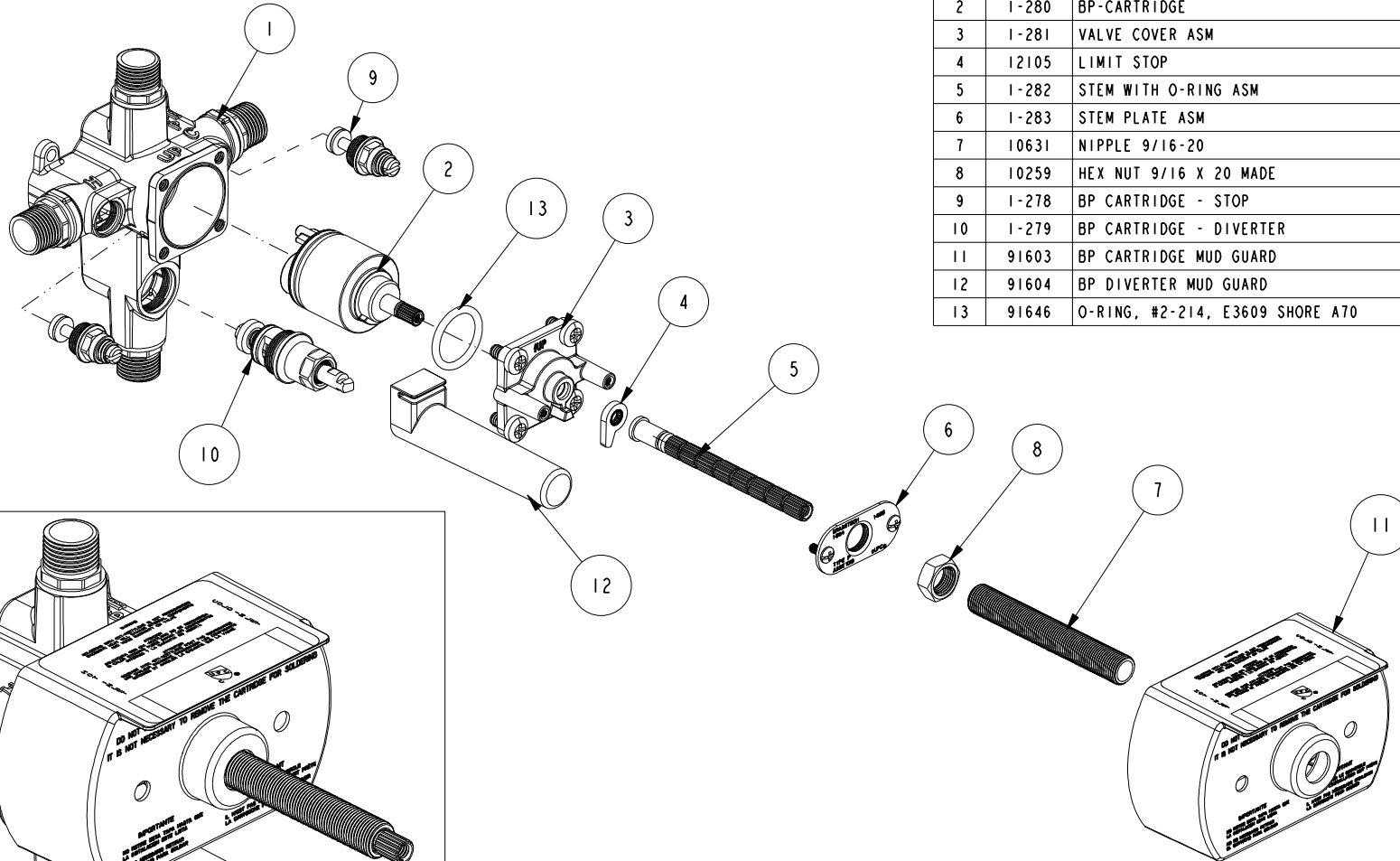


NOTES:

1. TO INSPECT ASSEMBLY, FOLLOW FIRST ARTICLE AND IN PROCESS INSPECTION SHEET.

BILL OF MATERIAL (CURRENT LEVEL)

| ITEM | PT/ASSY | DESCRIPTION | TYPE | QTY. |
|------|---------|------------------------------------|----------|------|
| 1 | 1-285 | DIVERTER BP VALVE BODY W/ ADAPTERS | ASSEMBLY | 1 |
| 2 | 1-280 | BP-CARTRIDGE | PART | 1 |
| 3 | 1-281 | VALVE COVER ASM | ASSEMBLY | 1 |
| 4 | 12105 | LIMIT STOP | PART | 1 |
| 5 | 1-282 | STEM WITH O-RING ASM | ASSEMBLY | 1 |
| 6 | 1-283 | STEM PLATE ASM | ASSEMBLY | 1 |
| 7 | 10631 | NIPPLE 9/16-20 | PART | 1 |
| 8 | 10259 | HEX NUT 9/16 X 20 MADE | PART | 1 |
| 9 | 1-278 | BP CARTRIDGE - STOP | ASSEMBLY | 2 |
| 10 | 1-279 | BP CARTRIDGE - DIVERTER | ASSEMBLY | 1 |
| 11 | 91603 | BP CARTRIDGE MUD GUARD | PART | 1 |
| 12 | 91604 | BP DIVERTER MUD GUARD | PART | 1 |
| 13 | 91646 | O-RING, #2-214, E3609 SHORE A70 | PART | 1 |



| | | | |
|-------------------|----------------------------------|-------------|---------|
| TESTING | - | - | - |
| ASSEMBLY | - | - | - |
| PLATING | - | - | - |
| POLISHING | - | NEXT ASSY | USED ON |
| MACHINING | - | APPLICATION | |
| TOOLING FIXTURE # | REMOVE ALL BURRS AND SHARP EDGES | | |

| | | |
|--------------------------------|----------------|--------|
| UNITS ARE: INCHES [MM] | | |
| TOLERANCES ARE: | | |
| FRACTIONS | DECIMALS | ANGLES |
| ±1/16" | .X ±.1 [2.5] | ±1° |
| | .XX ±.06 [1.5] | |
| (X.XXX) DENOTES CRITICAL DIMS. | | |
| ALL THREADS ARE CRITICAL | | |
| DRAWN | - | - |
| CHECKED | - | - |
| APPROVED | - | - |

BRASSTECH 2001 CARNEGIE AVE.
INCORPORATED SANTA ANA, CA 92705
(949) 417-5207

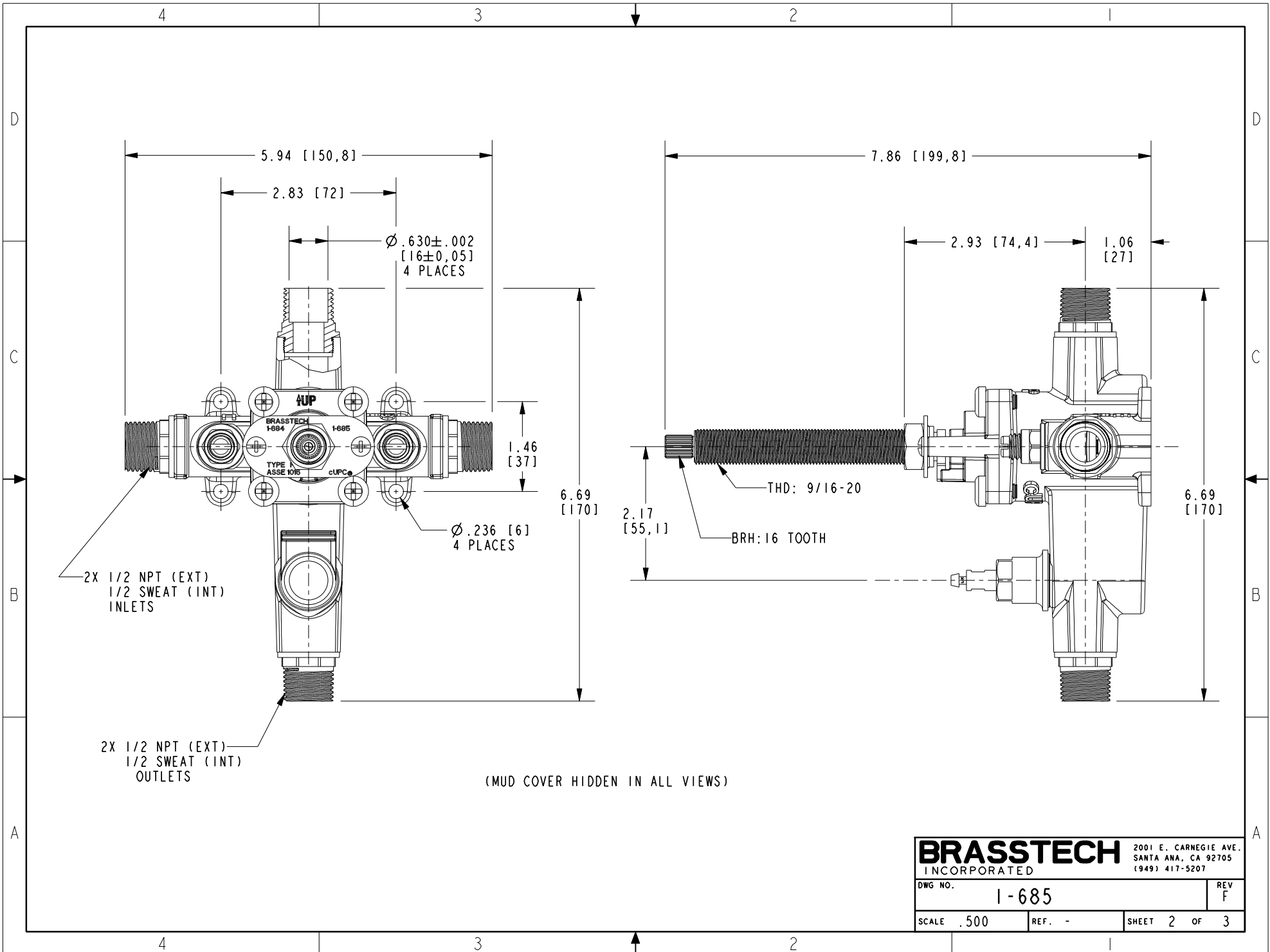
BP VALVE ASM W/ DIVERTER

DWG NO. **1-685** REV **F**

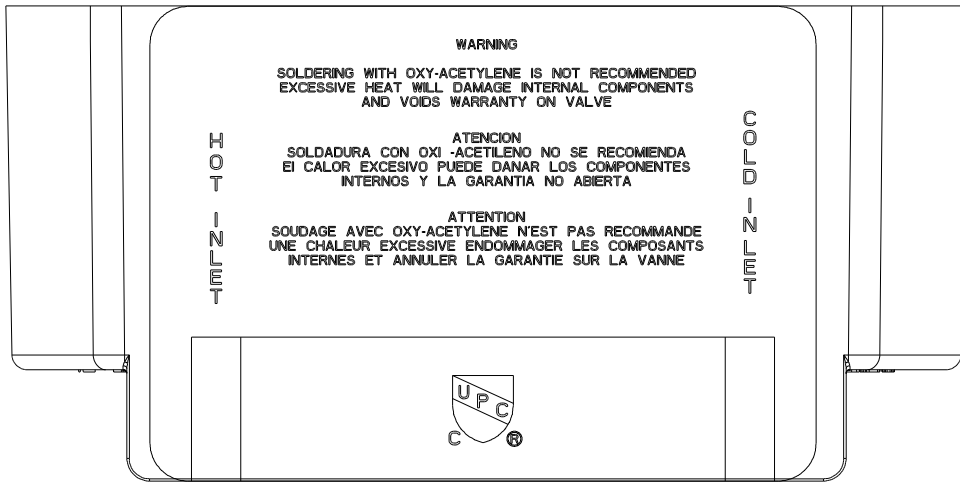
SCALE .312 REF. - SHEET 1 OF 3

COPYRIGHT 2005 BRASSTECH, INC. THESE DRAWINGS AND THE DESIGNS DEPICTED HEREIN ARE THE PROPRIETARY PROPERTY OF BRASSTECH. ANY USE OR REPRODUCTION IS SUBJECT TO THE EXPRESS APPROVAL OF BRASSTECH. UNAUTHORIZED USE IS STRICTLY PROHIBITED. ALL RIGHTS RESERVED.

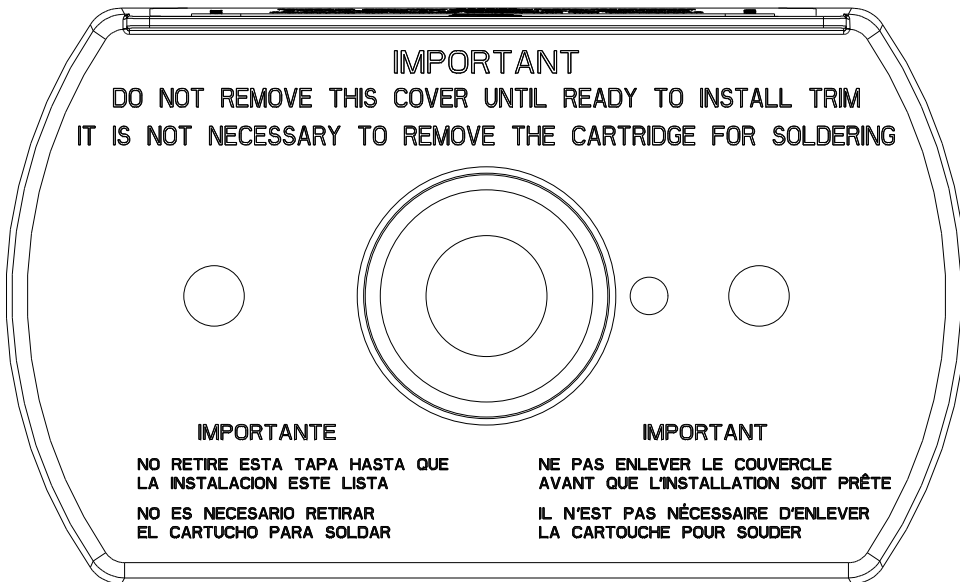
| | | | | |
|------|-----|-------------|----------|----------|
| ZONE | REV | DESCRIPTION | DATE | APPROVED |
| - | F | EN-4300kk | 03/24/21 | R.S. |



| | | |
|------------------|--------|--|
| BRASSTECH | | 2001 E. CARNEGIE AVE. SANTA ANA, CA 92705 (949) 417-5207 |
| DWG NO. | 1-685 | REV F |
| SCALE .500 | REF. - | SHEET 2 OF 3 |



SCALE .750



SCALE .750

WARNING

SOLDERING WITH OXY-ACETYLENE IS NOT RECOMMENDED
EXCESSIVE HEAT WILL DAMAGE INTERNAL COMPONENTS
AND VOIDS WARRANTY ON VALVE

HOT - JUMP

ATENCION
SOLDADURA CON OXI -ACETILENO NO SE RECOMIENDA
EI CALOR EXCESIVO PUEDE DANAR LOS COMPONENTES
INTERNOS Y LA GARANTIA NO ABIERTA

HOT - JUMP

ATTENTION
SOUDAGE AVEC OXY-ACETYLENE N'EST PAS RECOMMANDE
UNE CHALEUR EXCESSIVE ENDOMMAGER LES COMPOSANTS
INTERNES ET ANNULER LA GARANTIE SUR LA VANNE



IMPORTANT

DO NOT REMOVE THIS COVER UNTIL READY TO INSTALL TRIM
IT IS NOT NECESSARY TO REMOVE THE CARTRIDGE FOR SOLDERING

IMPORTANTE

NO RETIRE ESTA TAPA HASTA QUE
LA INSTALACION ESTE LISTA

NO ES NECESARIO RETIRAR
EL CARTUCHO PARA SOLDAR

IMPORTANT

NE PAS ENLEVER LE COUVERCLE
AVANT QUE L'INSTALLATION SOIT PRÊTE

IL N'EST PAS NÉCESSAIRE D'ENLEVER
LA CARTOUCHE POUR SOUDER

BRASSTECH
INCORPORATED

2001 E. CARNEGIE AVE.
SANTA ANA, CA 92705
(949) 417-5207

| | | | |
|---------|-------|------|---|
| DWG NO. | 1-685 | REV | F |
| SCALE | .500 | REF. | - |
| SHEET 3 | | OF 3 | |