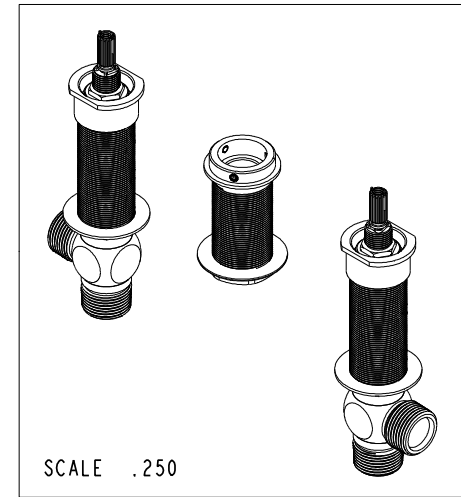
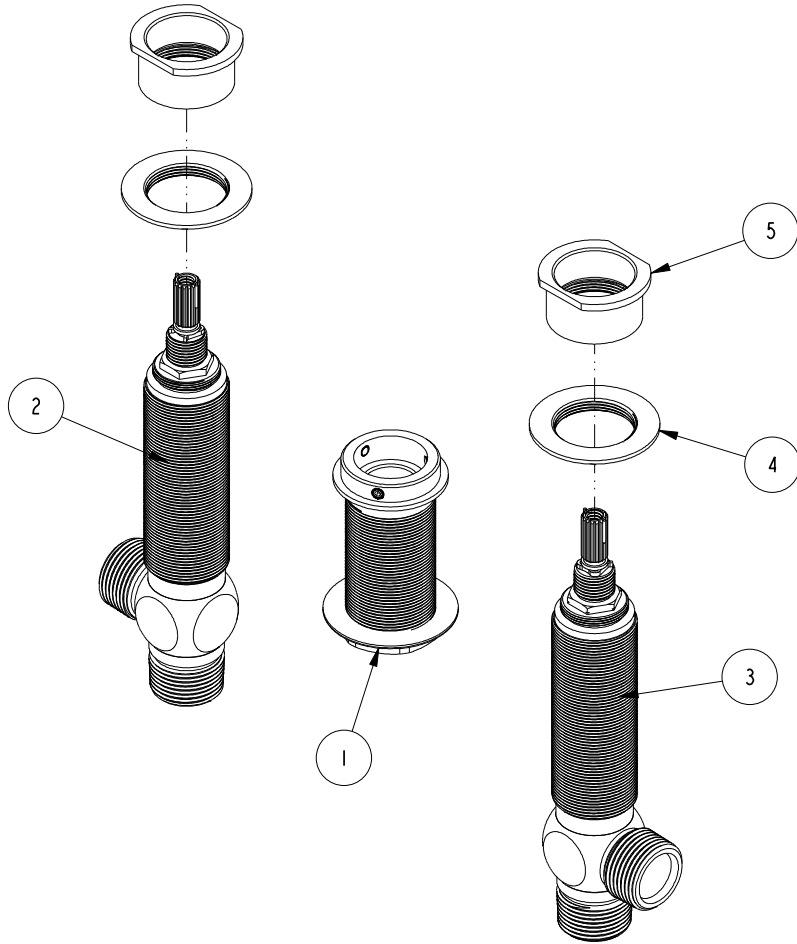


NOTES:

1. TO INSPECT ASSEMBLY, FOLLOW FIRST ARTICLE AND IN PROCESS INSPECTION SHEET.

BILL OF MATERIAL (CURRENT LEVEL)

ITEM	PT/ASSY	DESCRIPTION	TYPE	QTY.
1	1-230	R/T QUICK DISCONNECT	ASSEMBLY	1
2	1-552	R/T CART / VALVE ASSY - HOT	ASSEMBLY	1
3	1-553	R/T CARTR / VALVE ASSY - COLD	ASSEMBLY	1
4	10529	MOUNTING NUT	PART	2
5	12280	R/T-INVERT_FLANGE NUT	PART	2



-	D	EN-4300kk	03/30/21	R.S.
-	C	EN-4303	01/12/21	R.S.
-	B	EN-4162	05/04/20	J.M.
-	A	EN-3478	01/16/19	J.M.
-	-	EN-3032d	07/13/16	AN
ZONE	REV	DESCRIPTION	DATE	APPROVED

COPYRIGHT 2005 BRASSTECH, INC. THESE DRAWINGS AND THE DESIGNS DEPICTED HEREIN ARE THE PROPRIETARY PROPERTY OF BRASSTECH. ANY USE OR REPRODUCTION IS SUBJECT TO THE EXPRESS APPROVAL OF BRASSTECH. UNAUTHORIZED USE IS STRICTLY PROHIBITED. ALL RIGHTS RESERVED.

TESTING	-	-	-
ASSEMBLY	-	-	-
PLATING	-	-	3-3106 & 3-3126
POLISHING	-	NEXT ASSY	USED ON
MACHINING	-	APPLICATION	
TOOLING FIXTURE #	REMOVE ALL BURRS AND SHARP EDGES		

UNITS ARE: INCHES [MM]		
TOLERANCES ARE:		
FRACTIONS	DECIMALS	ANGLES
±1/16"	.X ±.1 [2.5]	±1°
	.XX ±.06 [1.5]	
(X.XXX) DENOTES CRITICAL DIMS. ALL THREADS ARE CRITICAL		
DRAWN	JIMSON	01/12/21
CHECKED	R.S.	01/12/21
APPROVED	R.S.	01/12/21

BRASSTECH		2001 CARNEGIE AVE. SANTA ANA, CA 92705 (949) 417-5207	
INCORPORATED			
ROMAN TUB 2-VALVE ROUGH			
DWG NO.		REV	
1-697		D	
SCALE	REF.	SHEET	OF
.375	-	1	2

4

3

2

1

D

D

C

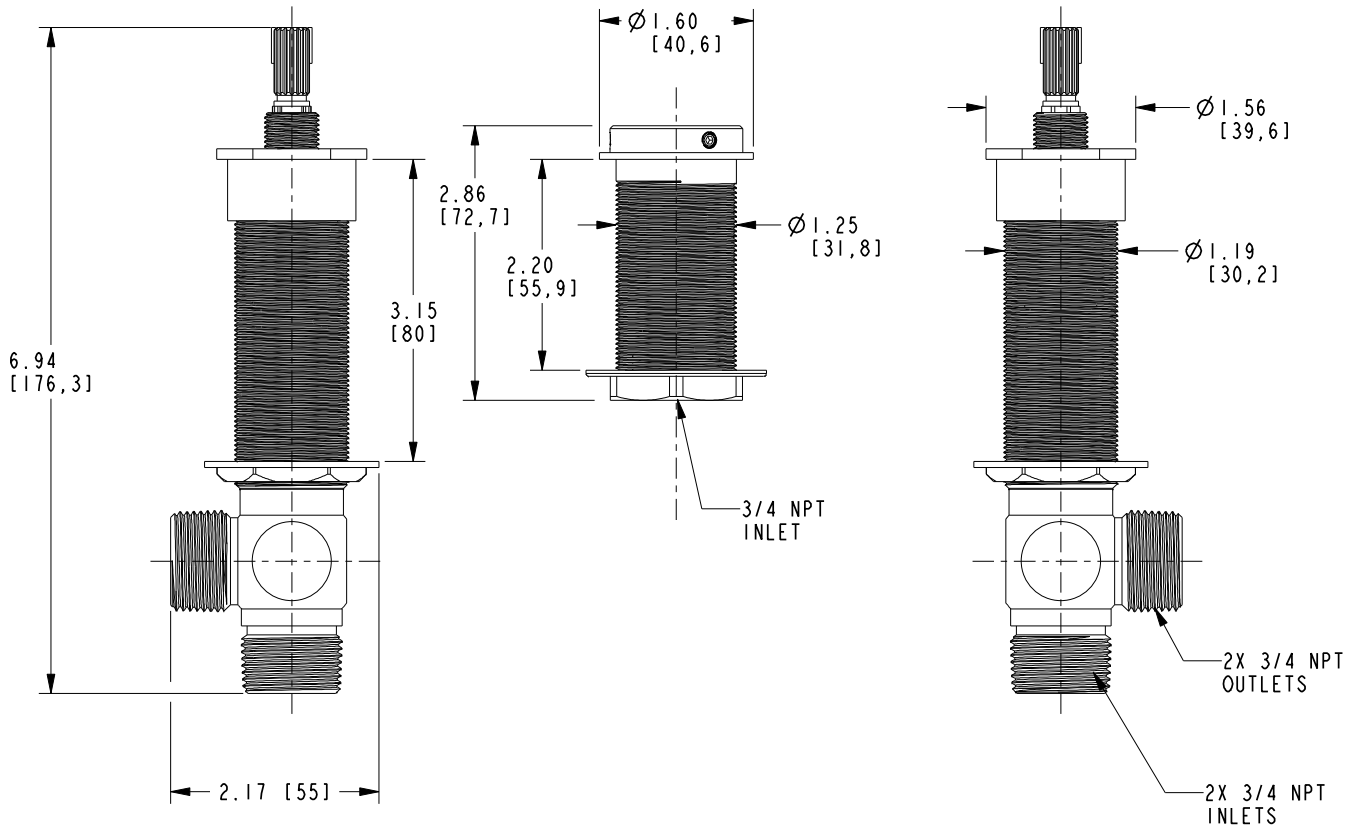
C

B

B

A

A



BRASSTECH		2001 E. CARNEGIE AVE. SANTA ANA, CA 92705 (949) 417-5207	
DWG NO.	1-697	REV	D
SCALE	.375	REF.	-
SHEET 2		OF 2	