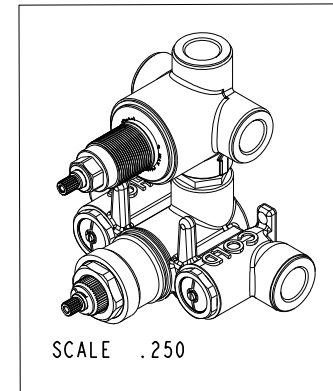
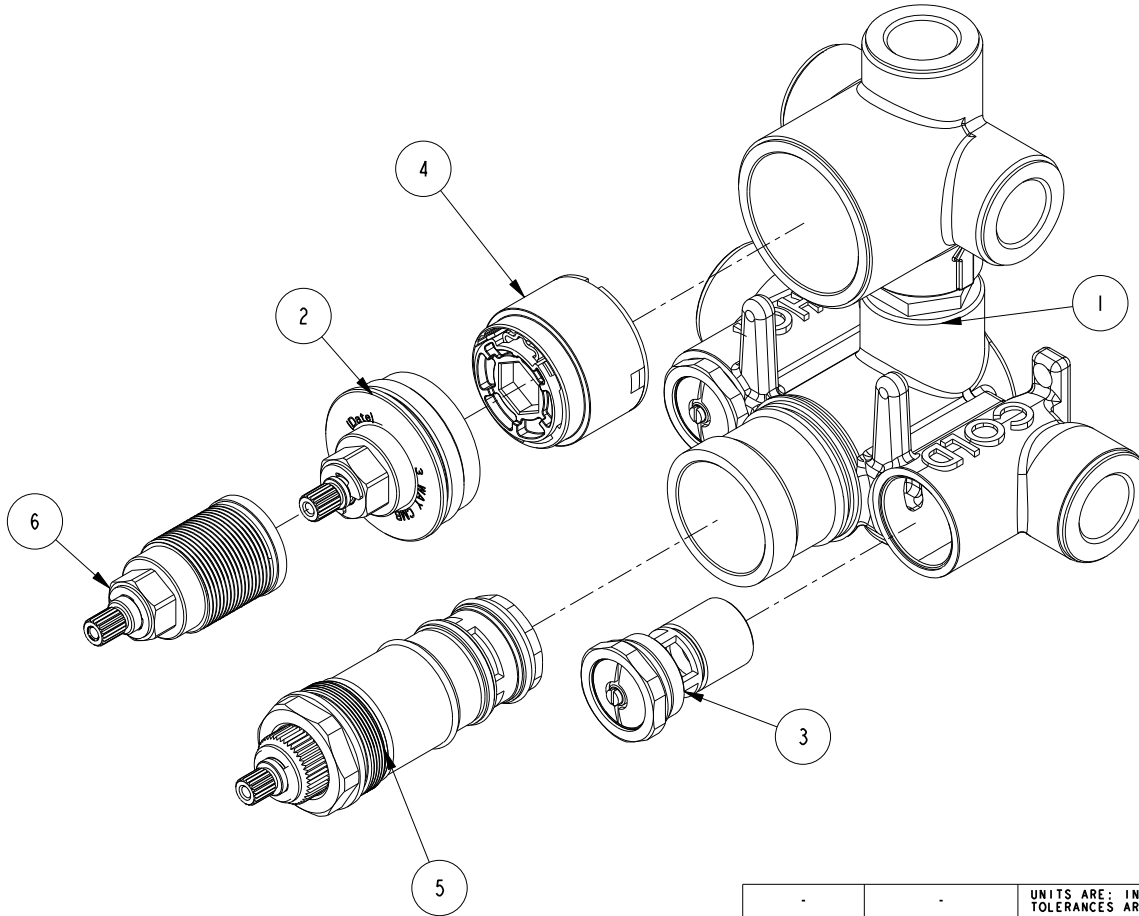


NOTES:

(N1) 1. FIT / FORM / FUNCTION SHALL FOLLOW PS-E.008.

BILL OF MATERIAL (CURRENT LEVEL)

ITEM	PT/ASSY	DESCRIPTION	TYPE	QTY.
1	1-337	3 WAY DIVERTER VALVE BODIES	ASSEMBLY	1
2	1-354	3-WAY DIVERTER VALVE NUT ASM	ASSEMBLY	1
3	1-103	STOP VALVE ASSEMBLY	ASSEMBLY	2
4	1-336	3 WAY DIVERTER CARTRIDGE	ASSEMBLY	1
5	1-338	THERMO CARTRIDGE	ASSEMBLY	1
6	1-343	DIVERTER STEM ADAPTER	ASSEMBLY	1



-	C	EN-3013	03/10/16	J.M.
-	B	EN-2775h	11/23/15	J.M.
-	A	EN-2775C	06/24/15	J.M.
-	-	EN-2775B	06/02/15	J.M.
ZONE	REV	DESCRIPTION	DATE	APPROVED

COPYRIGHT 2005 BRASSTECH, INC. THESE DRAWINGS AND THE DESIGNS DEPICTED HEREIN ARE THE PROPRIETARY PROPERTY OF BRASSTECH. ANY USE OR REPRODUCTION IS SUBJECT TO THE EXPRESS APPROVAL OF BRASSTECH. UNAUTHORIZED USE IS STRICTLY PROHIBITED. ALL RIGHTS RESERVED.

TESTING	-	-	-
ASSEMBLY	-	-	-
PLATING	-	3-1034TR2	3-1034TR2
POLISHING	-	NEXT ASSY	USED ON
MACHINING	-	APPLICATION	
TOOLING FIXTURE #	REMOVE ALL BURRS AND SHARP EDGES		

UNITS ARE: INCHES [MM]
TOLERANCES ARE:
FRACTIONS DECIMALS ANGLES
±1/16" .X ±.1 [2.5] ±1°
.XX ±.06 [1.5]

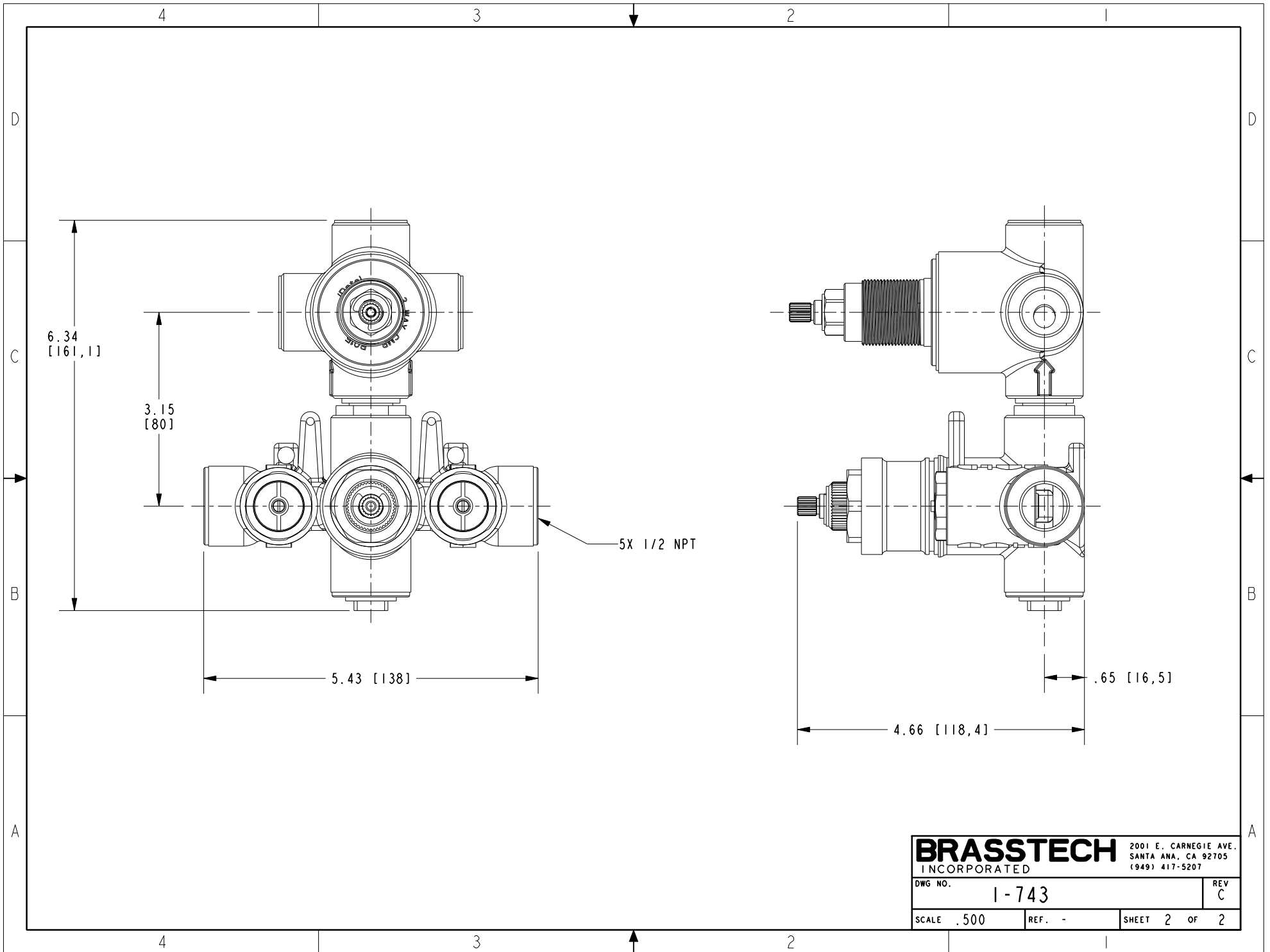
(X.XXX) DENOTES CRITICAL DIMS.
ALL THREADS ARE CRITICAL

DRAWN R.S. 06/02/15
CHECKED J.M. 06/02/15
APPROVED J.M. 06/02/15

BRASSTECH 2001 CARNEGIE AVE.
INCORPORATED SANTA ANA, CA 92705
(949) 417-5207

TUB AND SHOWER DIVERTER 3 WAY

DWG NO. 1-743 REV C
SCALE .500 REF. - SHEET 1 OF 2



BRASSTECH		2001 E. CARNEGIE AVE.	
INCORPORATED		SANTA ANA, CA 92705	
		(949) 417-5207	
DWG NO.	1-743	REV	C
SCALE	.500	REF.	-
		SHEET	2 OF 2