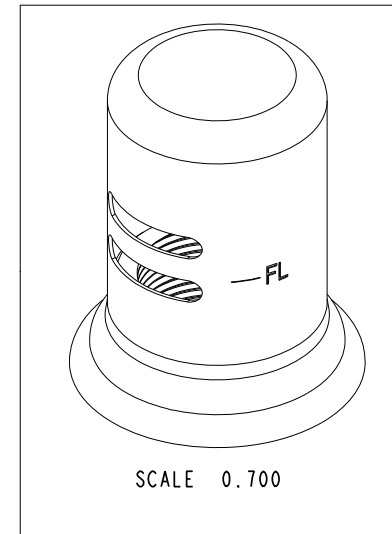
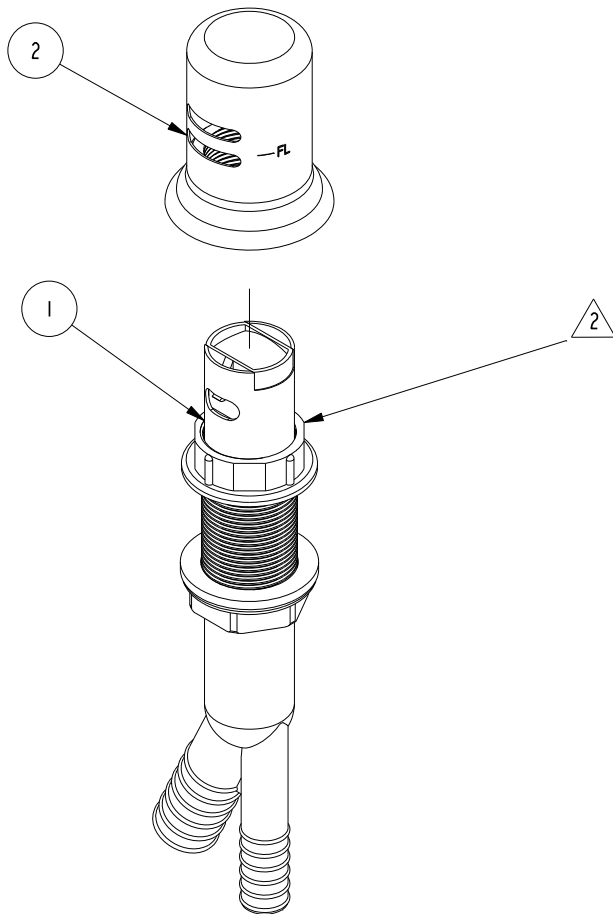


NOTES:

1. TO INSPECT ASSEMBLY, FOLLOW FIRST ARTICLE AND IN PROCESS INSPECTION SHEET.
2. REMOVE AND DISCARD THIS PLASTIC NUT.

BILL OF MATERIAL (CURRENT LEVEL)				
ITEM	PT/ASSY	DESCRIPTION	TYPE	QTY.
1	5-034	AIR GAP BODY	ASSEMBLY	1
2	1030-5751	AIR CAP ASM	ASSEMBLY	1



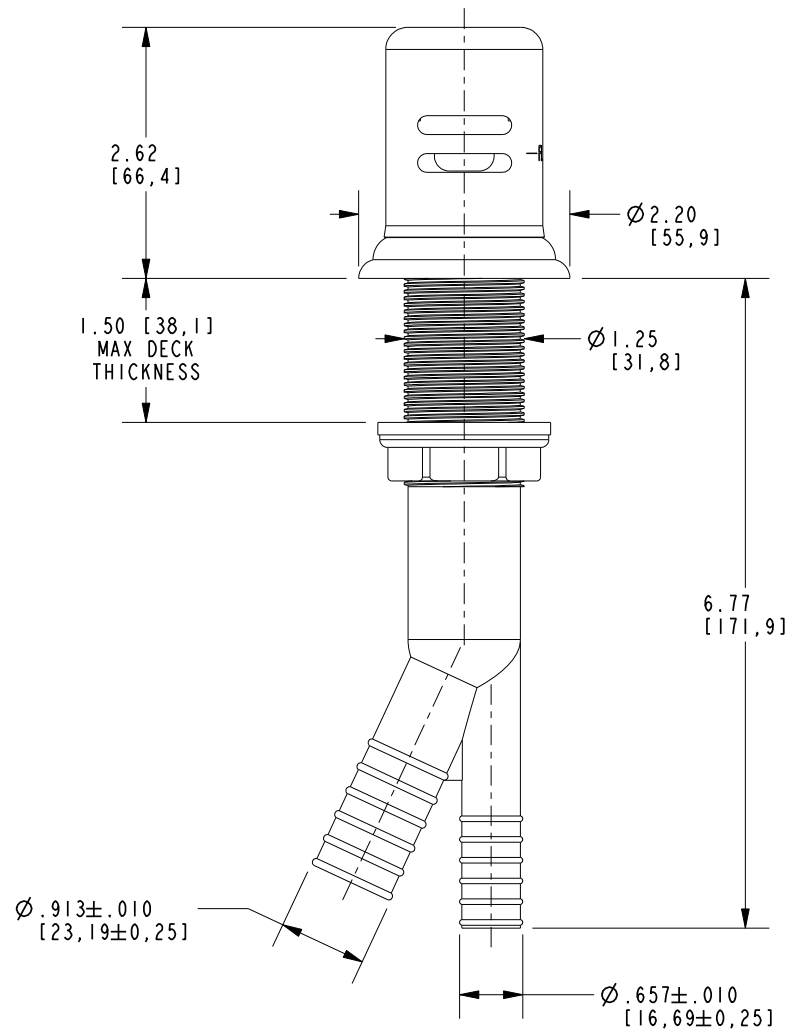
ZONE	REV	DESCRIPTION	DATE	APPROVED
-	D	EN-4690	08/03/23	R.S.
-	C	EN-4300	09/23/21	R.S.
-	B	EN-3297	4/4/17	J.A.
-	A	EN-3270	02/22/17	V.V.
-	-	EN-2980L	11/17/16	V.V.

COPYRIGHT 2005 BRASSTECH, INC. THESE DRAWINGS AND THE DESIGNS DEPICTED HEREIN ARE THE PROPRIETARY PROPERTY OF BRASSTECH. ANY USE OR REPRODUCTION IS SUBJECT TO THE EXPRESS APPROVAL OF BRASSTECH. UNAUTHORIZED USE IS STRICTLY PROHIBITED. ALL RIGHTS RESERVED.

TESTING	-	-	-
ASSEMBLY	-	-	-
PLATING	-	-	-
POLISHING	-	NEXT ASSY	USED ON
MACHINING	-	APPLICATION	
TOOLING FIXTURE #	REMOVE ALL BURRS AND SHARP EDGES		

UNITS ARE: INCHES [MM]		
TOLERANCES ARE:		
FRACTIONS	DECIMALS	ANGLES
±1/16"	.X ±.1 [2.5]	±°
	.XX ±.06 [1.5]	
(X.XXX) DENOTES CRITICAL DIMS.		
ALL THREADS ARE CRITICAL		
DRAWN	H. LE	11/17/16
CHECKED	V. VU	11/17/16
APPROVED	V. VU	11/17/16

BRASSTECH		2001 CARNEGIE AVE. SANTA ANA, CA 92705 (949) 417-5207	
INCORPORATED			
AIR GAP ASM			
DWG NO.		REV	
1030-5711		D	
SCALE	REF.	SHEET	OF
0.400	-	1	2



BRASSTECH		2001 E. CARNEGIE AVE. SANTA ANA, CA 92705 (949) 417-5207	
DWG NO.	1030-5711	REV	D
SCALE	0.500	REF.	-
SHEET 2		OF 2	