

4

3

2

1

NOTES:

1. TO INSPECT ASSEMBLY, FOLLOW FIRST ARTICLE AND IN PROCESS INSPECTION SHEET.

2 CUT AND SHORTEN O-RING BY .13" TO .20" IN LENGTH BEFORE INSTALLING.

3 SLIT O-RING BEFORE INSTALLING.

4 APPLY LOCTITE 242.

5 CONNECT WHITE AND RED TUBINGS TOGETHER AND WATER TEST WHOLE UNIT.

6 BAG 92194 IN A SEPARATE BAG.

7 REWORK CARTRIDGE ASSY IF THE HANDLE DOES NOT RETURN TO THE "OFF" POSITION AUTOMATICALLY AFTER WATER TESTING.

8 INSTALLATION TORQUE: 8-14 LB-FT.

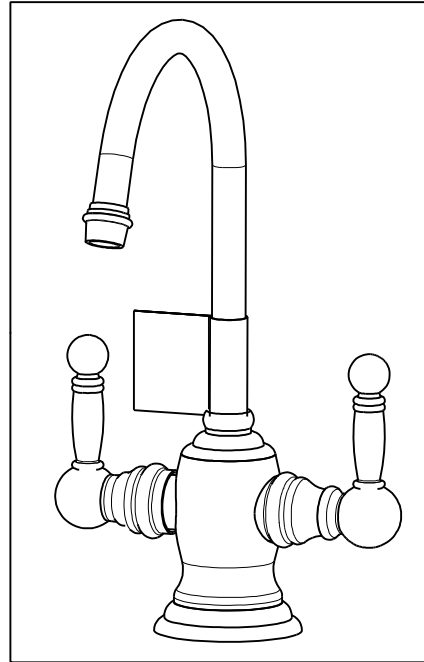
9 INSTALLATION TORQUE: 78 LB-IN +/- 6 LB-IN

10 LUBRICATE SPRING WITH DOW CORNING III.

11 APPLY LOCTITE 680.

12 APPLY THIN FILM OF DOW CORNING III.

13 INSTALLATION TORQUE: 10 -14 LB-IN.



BILL OF MATERIAL (CURRENT LEVEL)

Table with 5 columns: ITEM, PT/ASSY, DESCRIPTION, TYPE, QTY. Lists 33 items including parts like CARTR, SUPPLY LINE, ESCUTCHEON, and O-RINGS.

D

D

C

C

B

B

A

A

Table with 5 columns: W, U, T, R, P, N, M, L, K, J, H, G, F, E, D, C, ZONE, REV, DESCRIPTION, DATE, APPROVED. Lists various revision details.

COPYRIGHT 2005 BRASSTECH, INC. THESE DRAWINGS AND THE DESIGNS DEPICTED HEREIN ARE THE PROPRIETARY PROPERTY OF BRASSTECH. ANY USE OR REPRODUCTION IS SUBJECT TO THE EXPRESS APPROVAL OF BRASSTECH. UNAUTHORIZED USE IS STRICTLY PROHIBITED. ALL RIGHTS RESERVED.

Table with columns for TESTING, ASSEMBLY, PLATING, POLISHING, MACHINING, TOOLING FIXTURE #, APPLICATION, REMOVE ALL BURRS AND SHARP EDGES. Includes units and tolerances information.

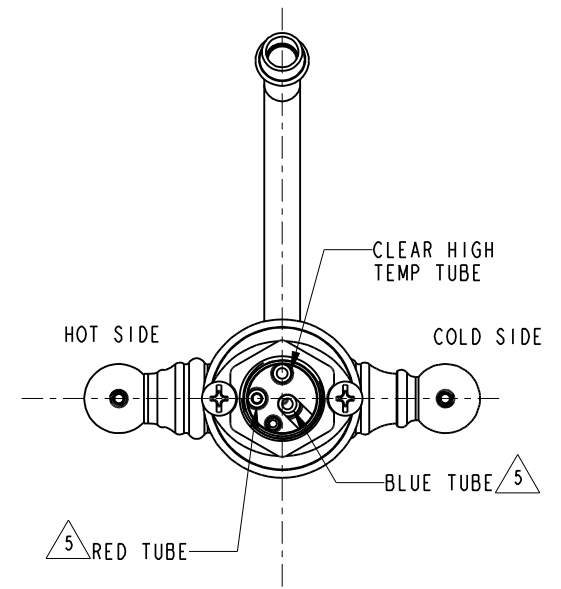
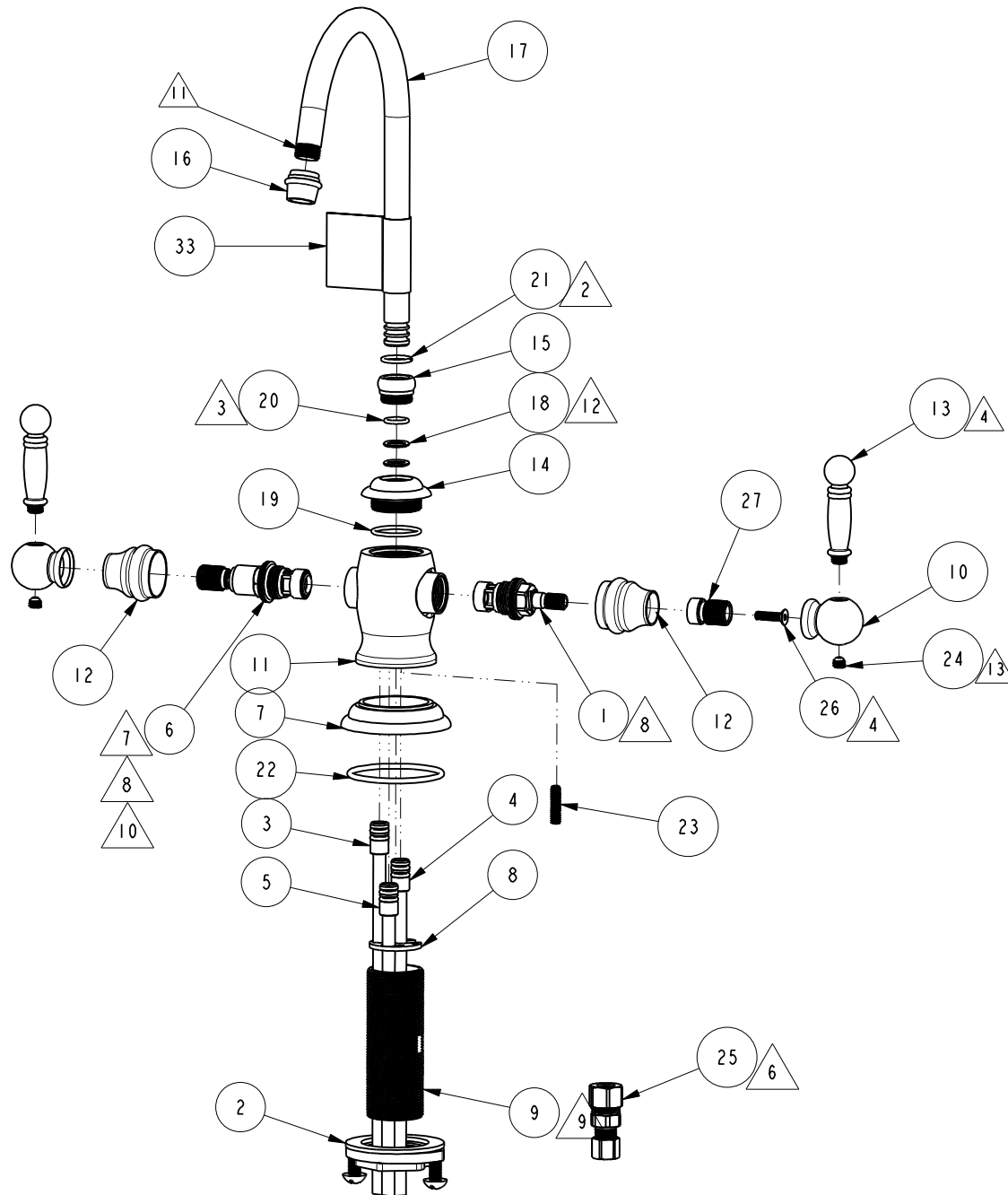
BRASSTECH INCORPORATED logo and address. H & C WATER DISP, LEVER TRAD. DWG NO. 107. SCALE .280. SHEET 1 OF 3.

4

3

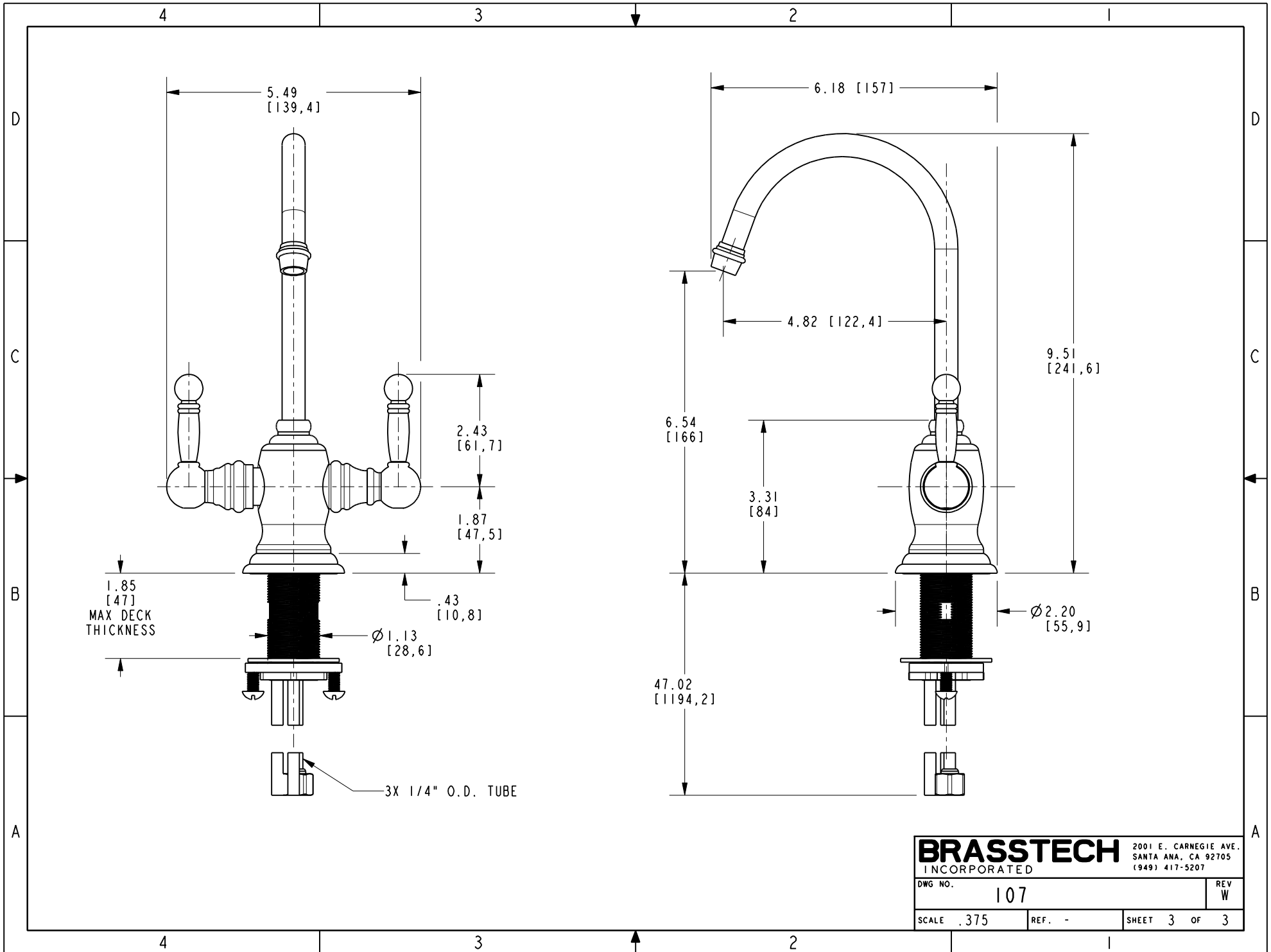
2

1



BOTTOM VIEW
SCALE .375

BRASSTECH		2001 E. CARNEGIE AVE. SANTA ANA, CA 92705 (949) 417-5207	
DWG NO.	107	REV	W
SCALE .300	REF. -	SHEET 2	OF 3



BRASSTECH		2001 E. CARNEGIE AVE. SANTA ANA, CA 92705 (949) 417-5207	
DWG NO.	107	REV	W
SCALE	.375	REF.	-
SHEET 3		OF 3	