

2. APPLY ADHESIVE LOCTITE 680.

3. TORQUE TO 15-20 FT-LB.

4. APPLY LOCTITE 242 IF SCREW DOES NOT HAVE NYLON PATCH.

5. TORQUE TO 11-14 FT-LB.

D

C

B

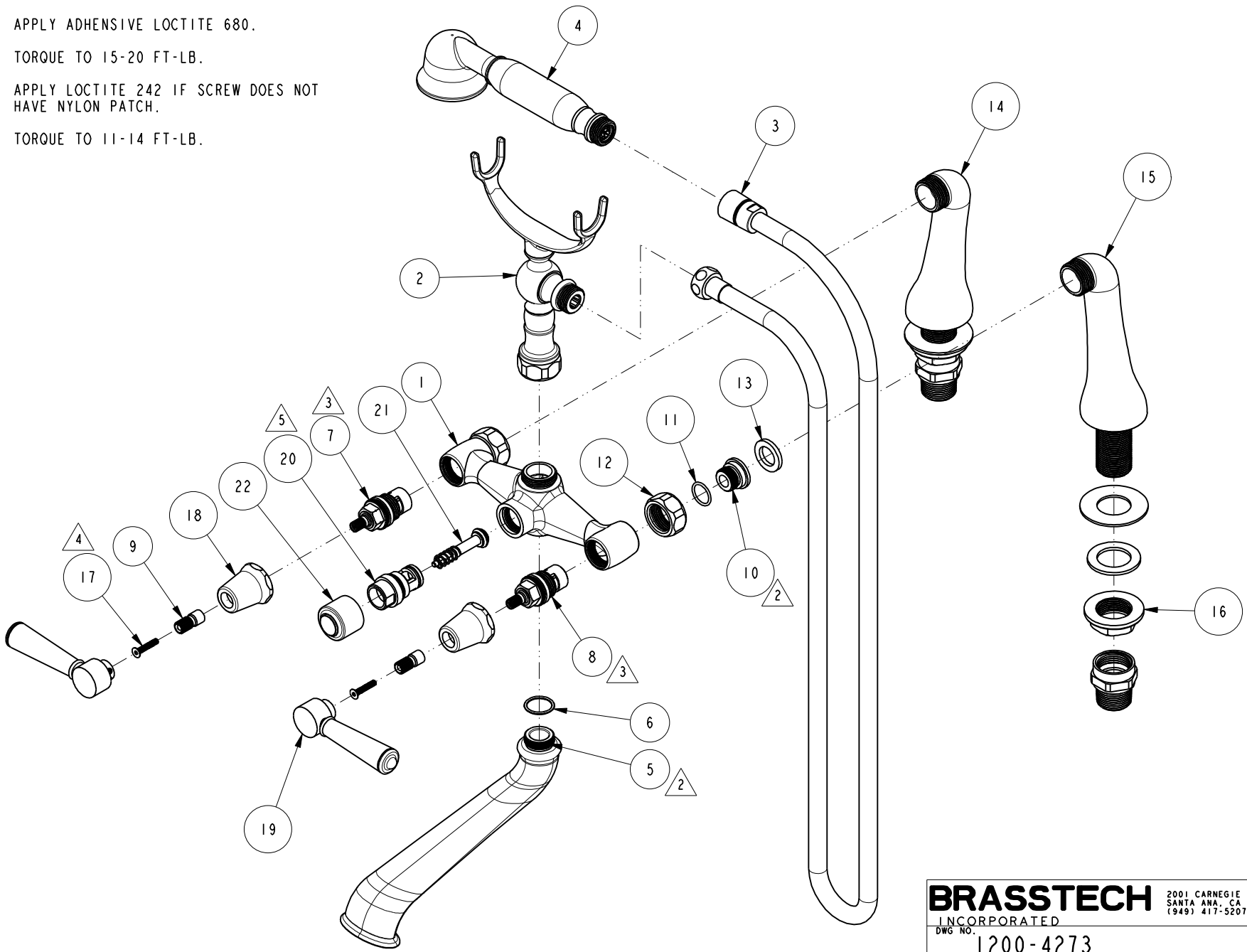
A

D

C

B

A



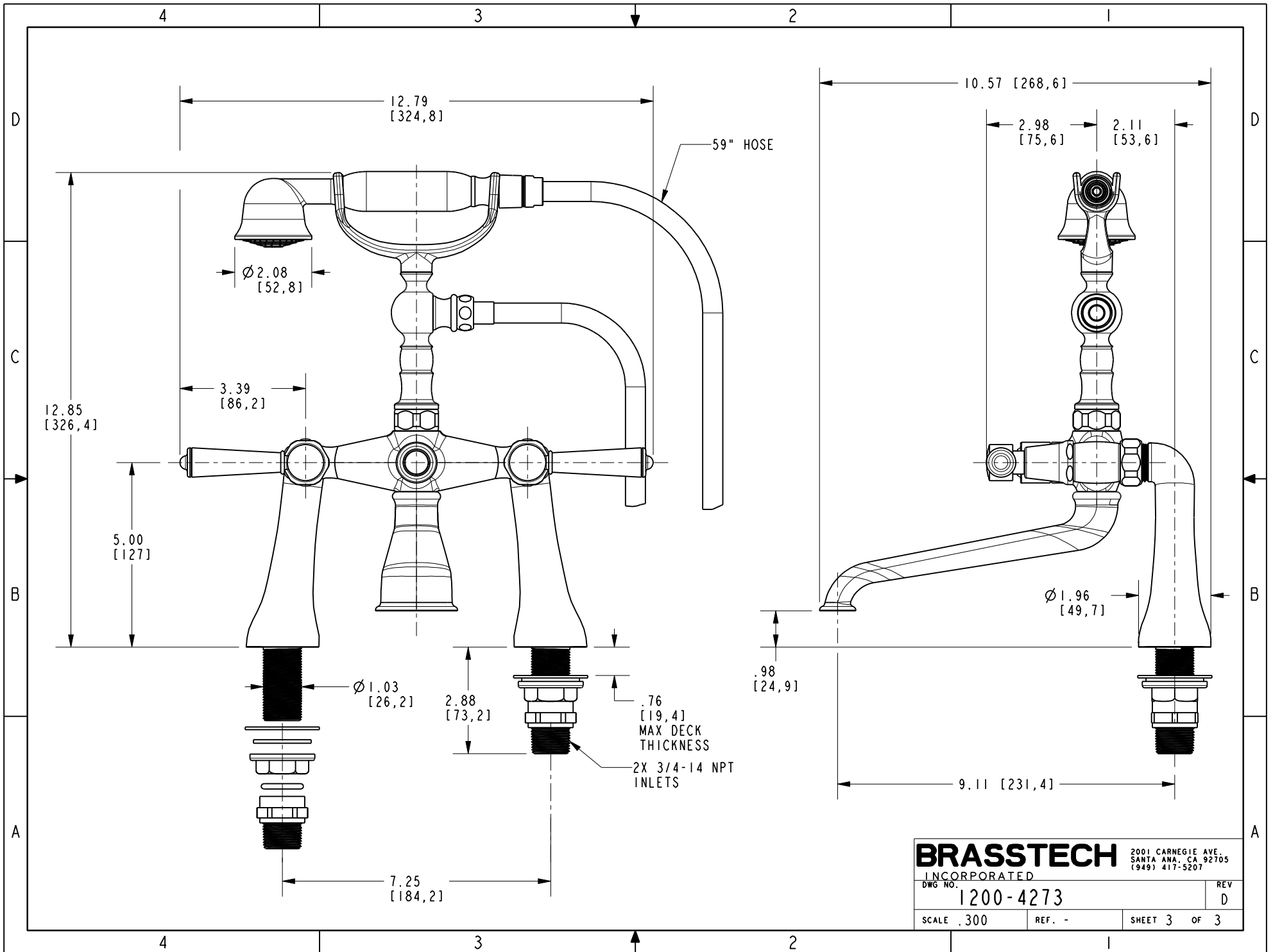
| | | | |
|-------------------|--------|---|--|
| BRASSTECH | | 2001 CARNEGIE AVE. SANTA ANA, CA 92705 (949) 417-5207 | |
| INCORPORATED | | | |
| DWG NO. 1200-4273 | | REV D | |
| SCALE .250 | REF. - | SHEET 2 OF 3 | |

4

3

2

1



BRASSTECH 2001 CARNEGIE AVE.
 INCORPORATED SANTA ANA, CA 92705
 (949) 417-5207

| | | | |
|---------|-----------|------|---|
| DWG NO. | 1200-4273 | REV | D |
| SCALE | .300 | REF. | - |
| SHEET 3 | | OF 3 | |