
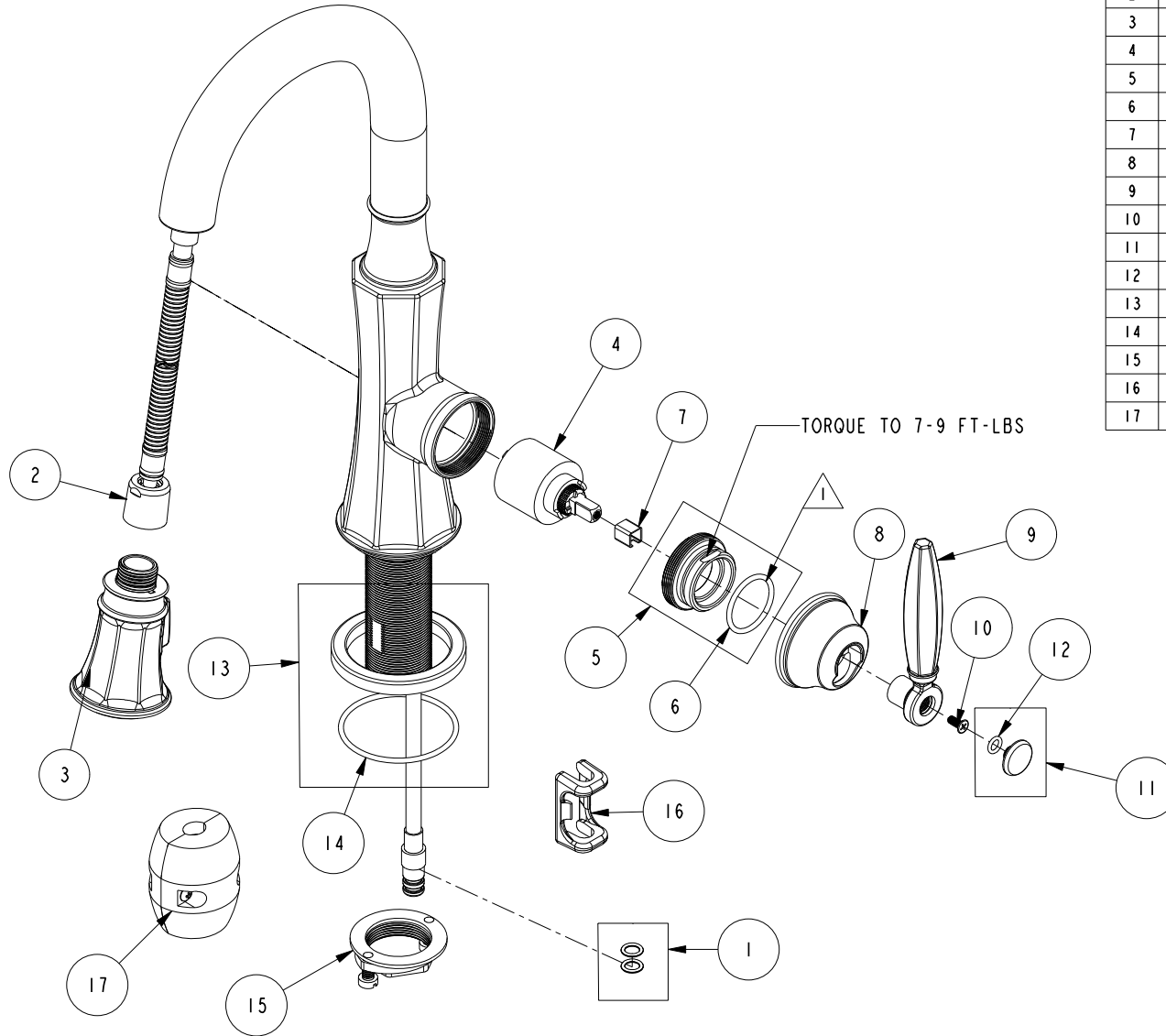


REPLACEMENT PARTS

NOTE:

 USE SILICON GREASE (PART NUMBER 6727) TO LUBRICATE O-RINGS BEFORE INSTALL.



ITEM	PT/ASSY	SPECIFY FINISH	DESCRIPTION
1	1-399		O-RING KIT FOR SPOUT PEX CONECTION
2	11877		HOSE, PULLDOWN SWIVEL
3	3-443	YES	SPRAY HEAD, METROPOLE
4	1-064		SINGLE LEVER CARTRIDGE
5	1-266		CART. RETAINER ASM
6	91608		O-RING, #2-122, EPDM, 65-75 DURO
7	91534		CARTRIDGE STEM INSERT
8	12836	YES	HANDLE HUB
9	12847	YES	HANDLE LEVER
10	92035		SCRW, M4 X .7 X 10 PHL FLT HD SS
11	2-852	YES	CAP ASM
12	91049		O-RING, #2- 010, EPDM, 65-75 DURO, NSF 61
13	2-850	YES	BASE RING ASM
14	91765		O-RING, #2-140, EPDM, 50 DURO - GREY
15	1-256		MOUNTING KIT
16	91568		RETAINER CLIP
17	1-286		WEIGHT ASM

METROPOLE PULL DOWN - KITCHEN FAUCET
1200-5223

REV N EN-4766 01/17/24 APPROVED RS

NEWPORT BRASS.

t: 949.417.5207 | www.newportbrass.com