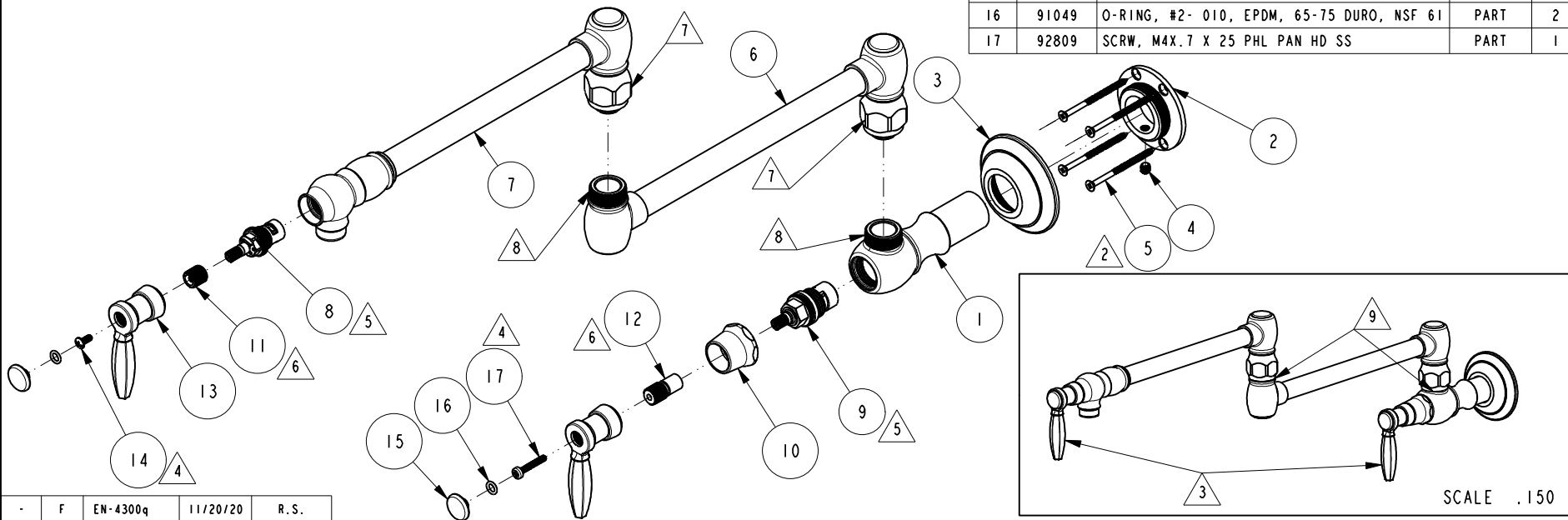


NOTES:

1. TO INSPECT ASSEMBLY, FOLLOW FIRST ARTICLE AND IN PROCESS INSPECTION SHEET.
2. PACK THESE ITEMS IN A PLASTIC BAG.
3. HANDLE IN CLOSE POSITION.
4. APPLY LOW BONDING ADHESIVE. IF SCREW DOES NOT HAVE NYLON PATCH.
5. INSTALLATION TORQUE: 11-14 FT-LB.
6. ADJUST THIS ITEM TO OPTIMIZE HANDLE POSITION.
7. INSTALLATION TORQUE 6-9 LB-FT.
8. APPLY LOCTITE 680.
9. SWIVEL CONNECTION SHALL NOT HAVE NOTICEABLE WOBBLINESS AFTER ASSEMBLY.

BILL OF MATERIAL (CURRENT LEVEL)

ITEM	PT/ASSY	DESCRIPTION	TYPE	QTY.
1	11299	VALVE BODY, WALL-END	PART	1
2	11301	FLANGE, MOUNTING	PART	1
3	2-555	FLANGE ASM, TRAD	ASSEMBLY	1
4	92231	SCRW, 1/4-20 X 1/4 SKT HD CUP PT SS	PART	1
5	92223	SCRW, #8 X 2-1/2 PHL FLT HD SS	PART	4
6	2-550	LOWER ARM ASM, TRAD	ASSEMBLY	1
7	2-549	UPPER ARM ASM, TRAD	ASSEMBLY	1
8	1-437	CARTR 3/8 HOT 1/4 TR	PART	1
9	1-326	W/S CARTRIDGE FRICTION - HOT	PART	1
10	12095	BONNET	PART	1
11	12070	HANDLE ADAPTER, SHORT	PART	1
12	12071	HANDLE ADAPTER, LONG	PART	1
13	12150	HANDLE - METROPOLE	PART	2
14	92014	SCRW, M4 X .7 X 10 PHL PAN HD SS	PART	1
15	12040	SCREW CAP, HANDLE	PART	2
16	91049	O-RING, #2- 010, EPDM, 65-75 DURO, NSF 61	PART	2
17	92809	SCRW, M4X.7 X 25 PHL PAN HD SS	PART	1



-	F	EN-4300q	11/20/20	R.S.
-	E	EN-4112	02/24/20	J.M.
-	D	EN-3756	11/22/18	C.G.
-	C	EN-3495	03/26/18	J.A.
-	B	EN-2874	10/01/15	N.S.
-	A	EN-2405	01/07/13	A.N.
-	-	EN-2202	07/31/12	A.N.
ZONE	REV	DESCRIPTION	DATE	APPROVED

COPYRIGHT 2005 BRASSTECH, INC. THESE DRAWINGS AND THE DESIGNS DEPICTED HEREIN ARE THE PROPRIETARY PROPERTY OF BRASSTECH. ANY USE OR REPRODUCTION IS SUBJECT TO THE EXPRESS APPROVAL OF BRASSTECH. UNAUTHORIZED USE IS STRICTLY PROHIBITED. ALL RIGHTS RESERVED.

TESTING	-	-	-
ASSEMBLY	-	-	-
PLATING	-	-	-
POLISHING	-	NEXT ASSY	USED ON
MACHINING	-	APPLICATION	
TOOLING FIXTURE #	REMOVE ALL BURRS AND SHARP EDGES		

UNITS ARE: INCHES [MM]		
TOLERANCES ARE:		
FRACTIONS DECIMALS	ANGLES	
±1/16"	±1°	
.X ±.1	[2.5]	
.XX ±.06	[1.5]	
(X.XXX) DENOTES CRITICAL DIMS.		
ALL THREADS ARE CRITICAL		
DRAWN	JINSON	11/20/20
CHECKED	R.S.	11/20/20
APPROVED	R.S.	11/20/20

**BRASSTECH** 2001 CARNEGIE AVE.  
INCORPORATED SANTA ANA, CA 92705  
(949) 417-5207

METROPOLE POT FILLER,  
WALL-MOUNT

DWG NO.	1200-5503	REV	F
SCALE	.230	REF.	-
SHEET	1	OF	2

