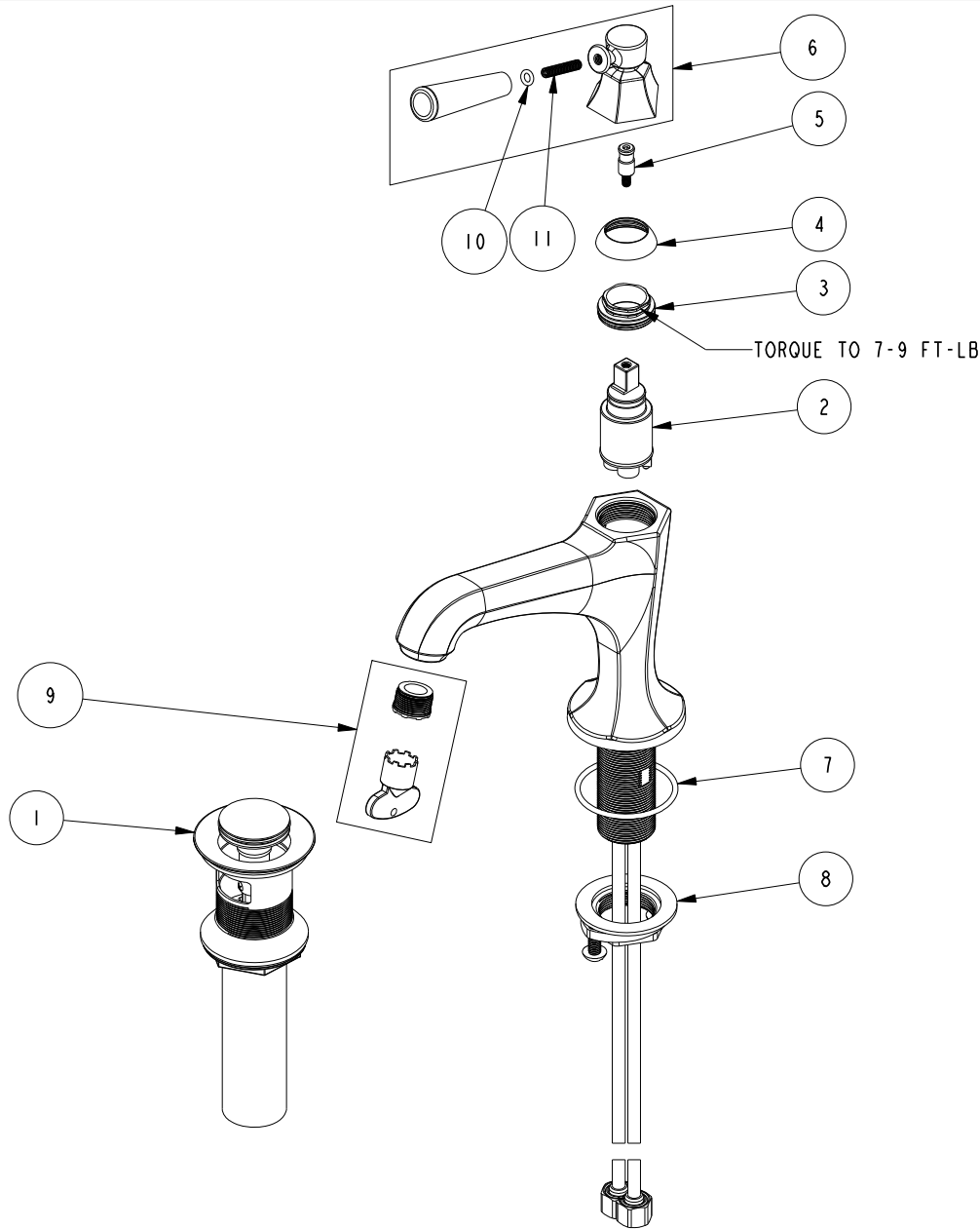


# REPLACEMENT PARTS



ITEM	PT/ASSY	SPECIFY FINISH	DESCRIPTION
1	330	YES	DRAIN, PUSH DOWN, W/ OVERFLOW
2	1-259		MIXING VALVE - FX25
3	1-275		CARTRIDGE RETAINER ASSEMBLY
4	12034	YES	DECORATIVE CAP
5	12005		STEM ADAPTOR
6	2-819	YES	LEVER ASM
7	91773		O-RING, #2-133, 50 DURO
8	1-393		1-1/8 18 UNEF MOUNTING KIT
9	1-492		AERATOR 1.2 GPM WITH KEY
10	91409		O-RING, #2-008, EPDM, 65-75 DURO
11	92514		SCRW, 10-24 X 1 SKT HD CUP PT SS

**SINGLE HOLE LAVATORY FAUCET  
1203**

REV H EN-4735 01/09/24 APPROVED R.S.

**NEWPORT BRASS.**

t: 949.417.5207 | www.newportbrass.com