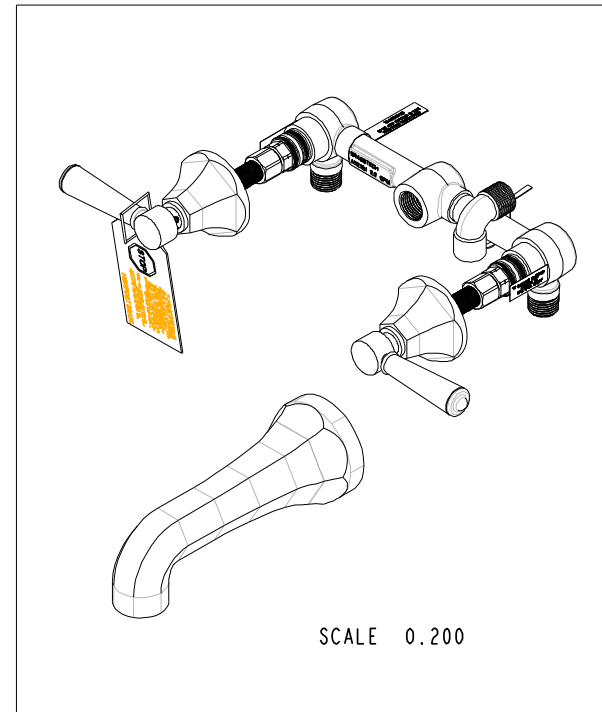
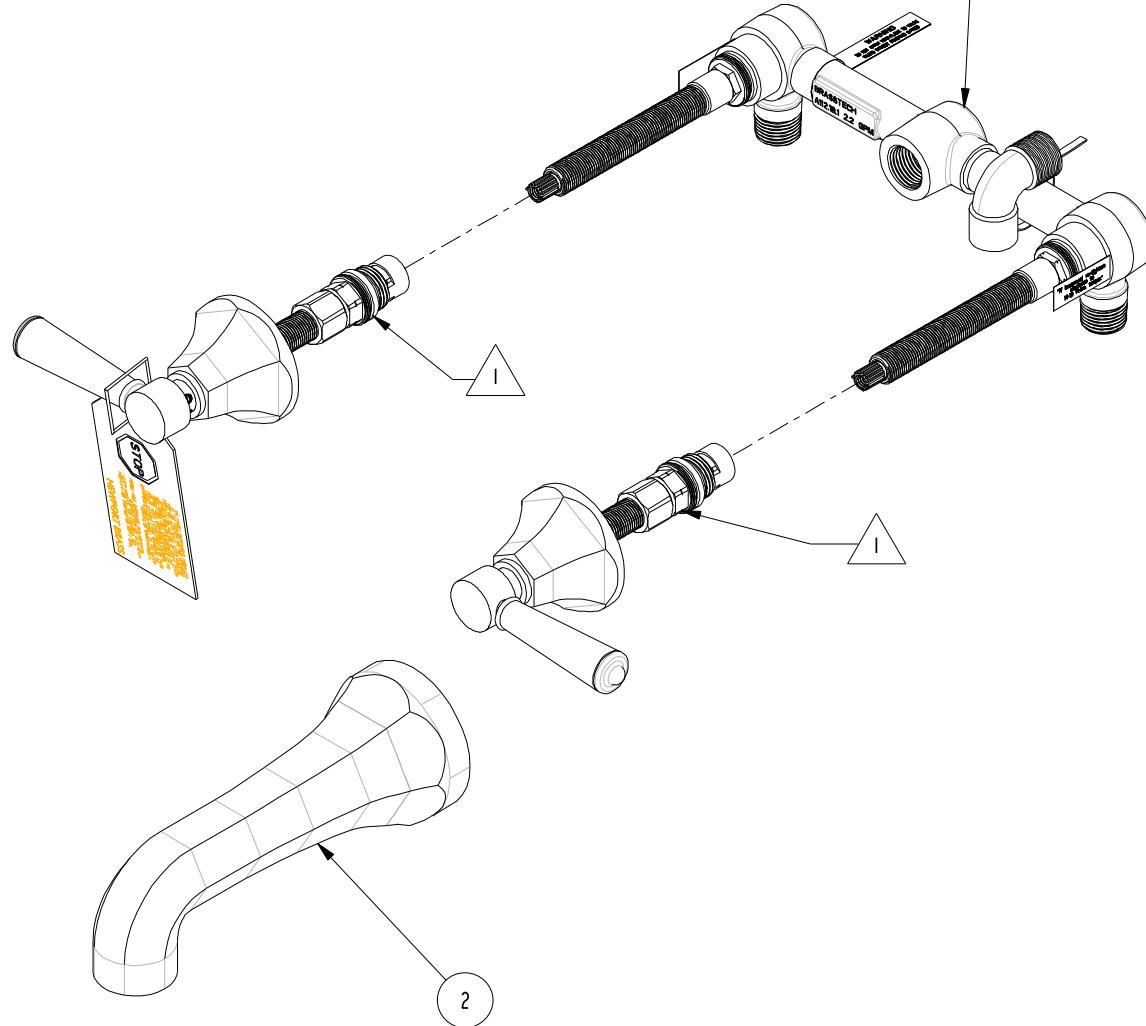


1 VALVE SHOWN WITH TORQ-ABLE CARTRIDGES THAT ARE SUPPLIED WITH TRIM KIT. THESE CARTRIDGES MUST BE USED TO REPLACE CARTRIDGES THAT ARE SUPPLIED WITH THE VALVE. TORQUE TO 14-16 FT-LBS.

2 RECOMMENDED VAVE(S), SHOWN WITH TRIM KIT, SOLD SEPERATELY.

BILL OF MATERIAL (CURRENT LEVEL)

ITEM	PT/ASSY	DESCRIPTION	TYPE	QTY.
1	1-500	T/S 2 - VALVE ROUGH	ASSEMBLY	1
2	3-1205	TRIM KIT - 3-1205	ASSEMBLY	1



COPYRIGHT 2005 BRASSTECH, INC. THESE DRAWINGS AND THE DESIGNS DEPICTED HEREIN ARE THE PROPRIETARY PROPERTY OF BRASSTECH. ANY USE OR REPRODUCTION IS SUBJECT TO THE EXPRESS APPROVAL OF BRASSTECH. UNAUTHORIZED USE IS STRICTLY PROHIBITED. ALL RIGHTS RESERVED.

BRASSTECH
INCORPORATED

2001 E. CARNEGIE AVE.
SANTA ANA, CA 92705
(949) 417-5207

TUB SET

ASSY. NO. 1205

SCALE 0.300

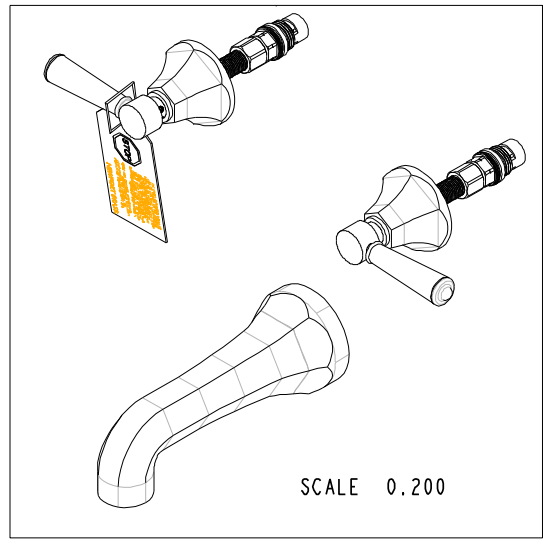
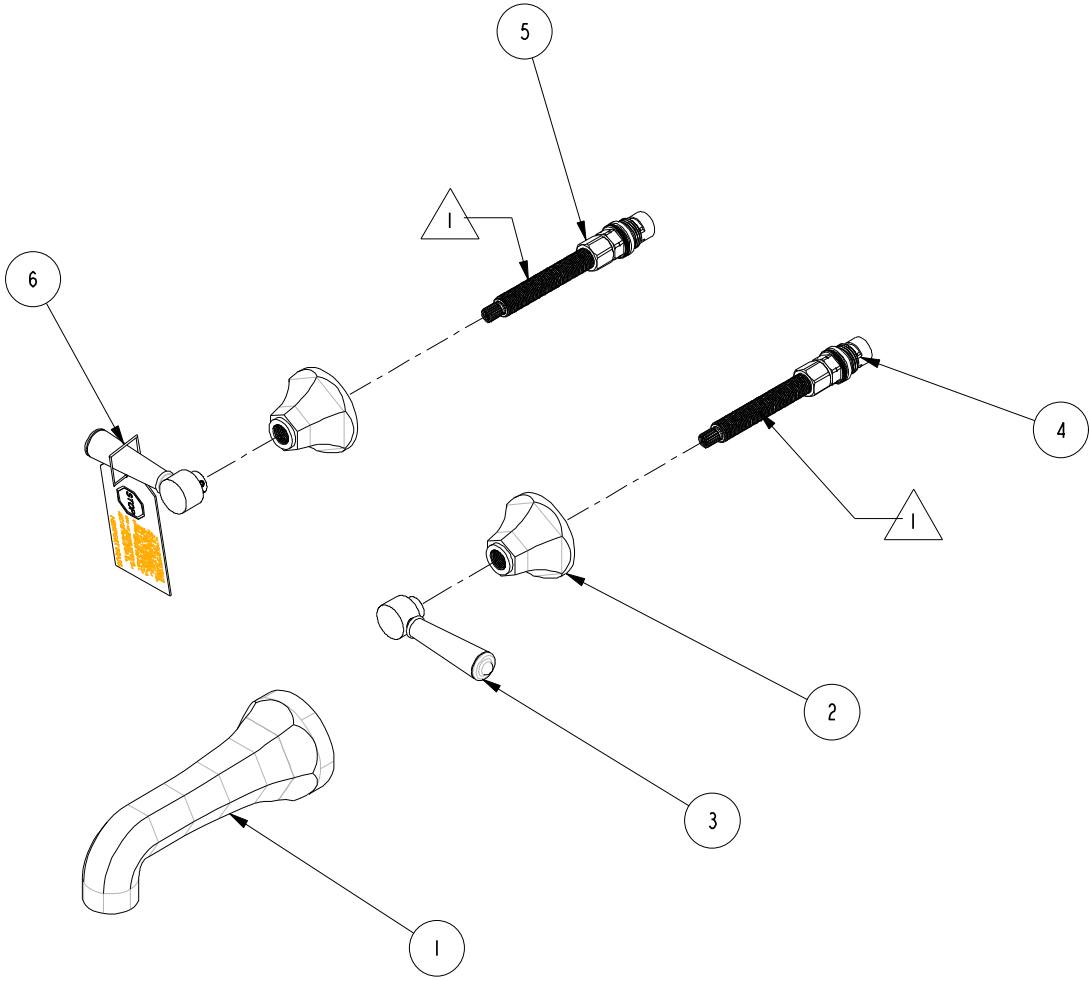
REF. -

SHEET 1 OF 3

B	EN-1176	10/23/09
A	EN-1167	12/19/08
REV	REV DESC	DATE

1 VALVE SHOWN WITH TORQ-ABLE CARTRIDGES THAT ARE SUPPLIED WITH TRIM KIT. THESE CARTRIDGES MUST BE USED TO REPLACE CARTRIDGES THAT ARE SUPPLIED WITH THE VALVE. TORQUE TO 14-16 FT-LBS.

BILL OF MATERIAL (CURRENT LEVEL)				
ITEM	PT/ASSY	DESCRIPTION	TYPE	QTY.
1	2-144	WALL TUB SPOUT - HEX	ASSEMBLY	1
2	10960	HEX ESCUTCHEON	PART	2
3	2-279	TAPERED LEVER HNDL ASM	ASSEMBLY	2
4	1-543	T/S TORQ. CARTRIDGE COLD	ASSEMBLY	1
5	1-544	T/S TORQ. CARTRIDGE HOT	ASSEMBLY	1
6	98062	PRODUCT WARNING LABEL	PART	1



COPYRIGHT 2005 BRASSTECH, INC. THESE DRAWINGS AND THE DESIGNS DEPICTED HEREIN ARE THE PROPRIETARY PROPERTY OF BRASSTECH. ANY USE OR REPRODUCTION IS SUBJECT TO THE EXPRESS APPROVAL OF BRASSTECH. UNAUTHORIZED USE IS STRICTLY PROHIBITED. ALL RIGHTS RESERVED.

BRASSTECH
INCORPORATED
2001 E. CARNEGIE AVE.
SANTA ANA, CA 92705
(949) 417-5207

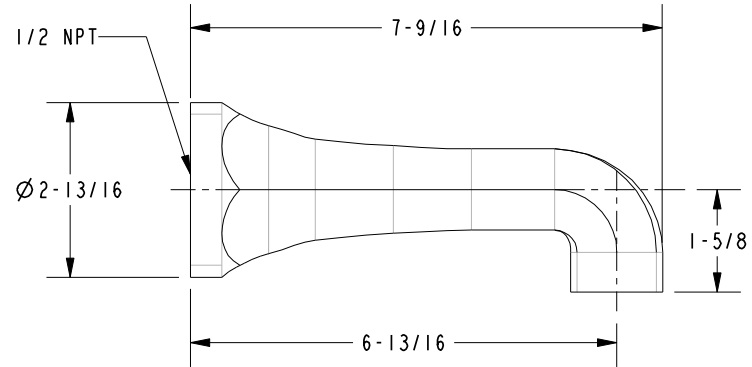
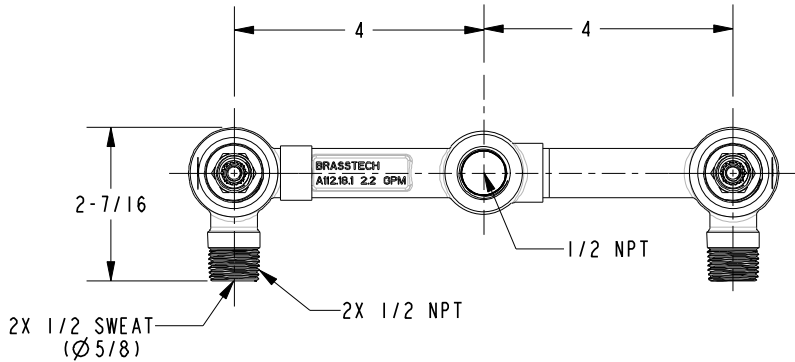
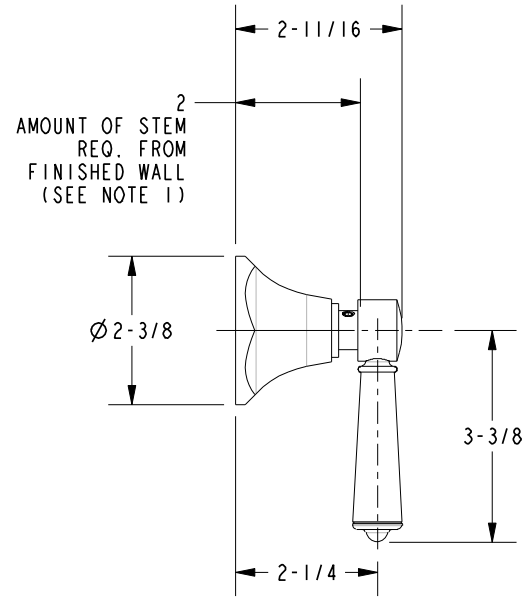
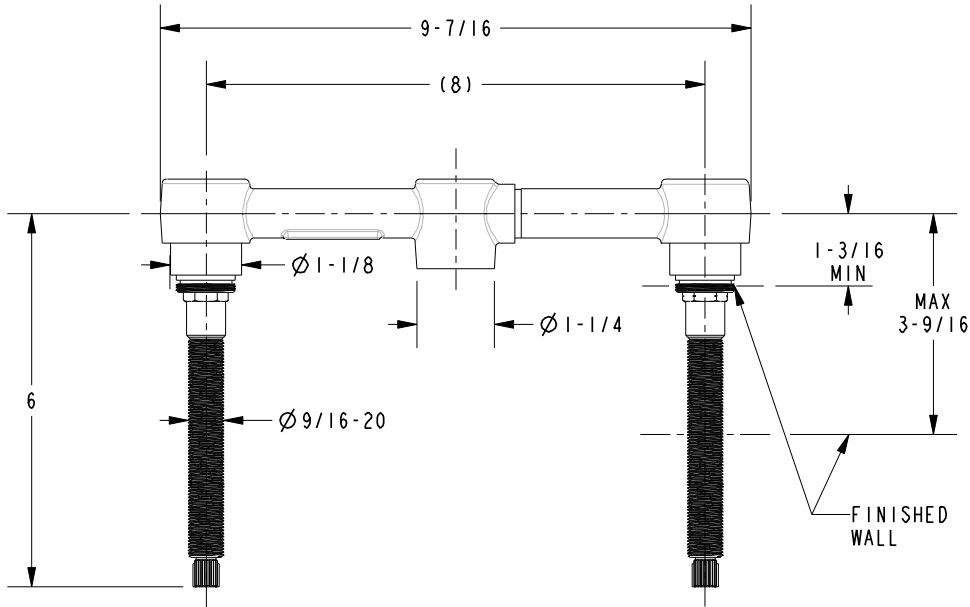
TRIM KIT - 3-1205

ASSY. NO.	1205		
SCALE	0.200	REF.	-
SHEET	2	OF	3
REV		REV DESC	
		DATE	

SPECIFICATION DWG

NOTES:

1. CUT ALL-THREAD 1/2" SHORTER THAN STEM



DIMENSIONS ARE IN INCHES AND AN APPROXIMATION OF A TYPICAL INSTALLATION

COPYRIGHT 2005 BRASSTECH, INC. THESE DRAWINGS AND THE DESIGNS DEPICTED HEREIN ARE THE PROPRIETARY PROPERTY OF BRASSTECH. ANY USE OR REPRODUCTION IS SUBJECT TO THE EXPRESS APPROVAL OF BRASSTECH. UNAUTHORIZED USE IS STRICTLY PROHIBITED. ALL RIGHTS RESERVED.

BRASSTECH		2001 E. CARNEGIE AVE.	
INCORPORATED		SANTA ANA, CA 92705	
		(949) 417-5207	
DWG NO.	1205	REV	B
SCALE	0.125	REF.	-
		SHEET 3 OF 3	