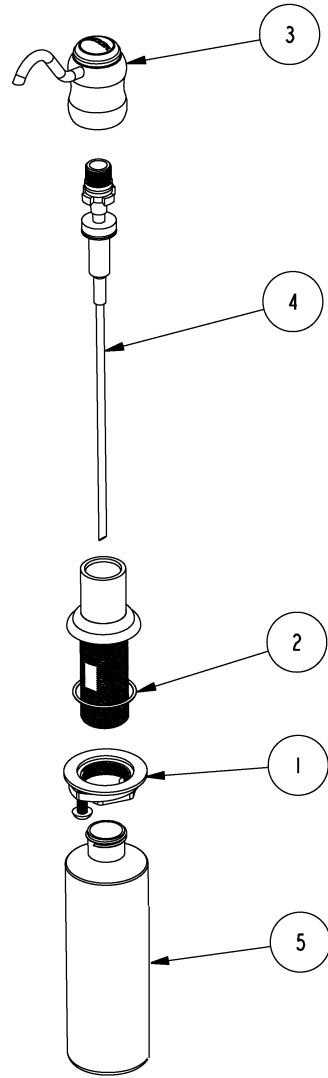


REPLACEMENT PARTS

ITEM	PT/ASSY	SPECIFY FINISH	DESCRIPTION
1	1-393		1-1/8 18 UNEF MOUNTING KIT
2	91249		O-RING, #2- 028, EPDM, 65-75 DURO, NSF 61
3	3-437	YES	SOAP DISPENSER HEAD ASM
4	50931		PUMP ASSY FOR ECONO SOAP
5	125-9		SOAP DISPENSER BOTTLE



SOAP/LOTION DISPENSER
124

REV G EN-4648 01/31/24

NEWPORT BRASS.

t: 949.417.5207 | www.newportbrass.com