
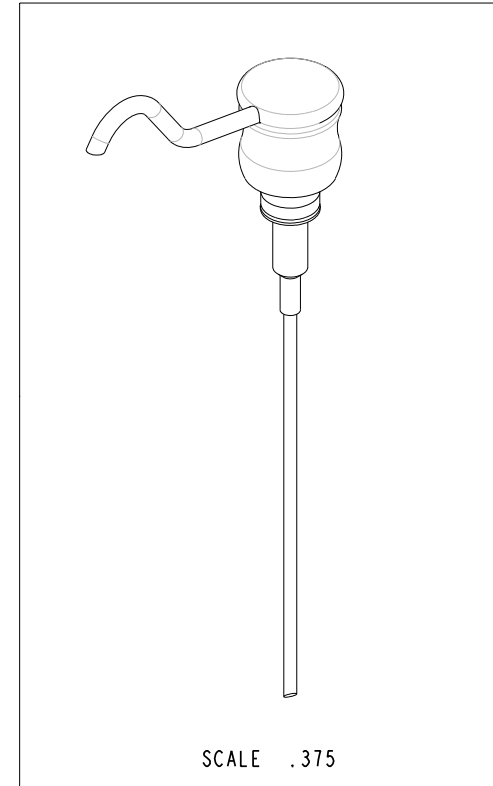
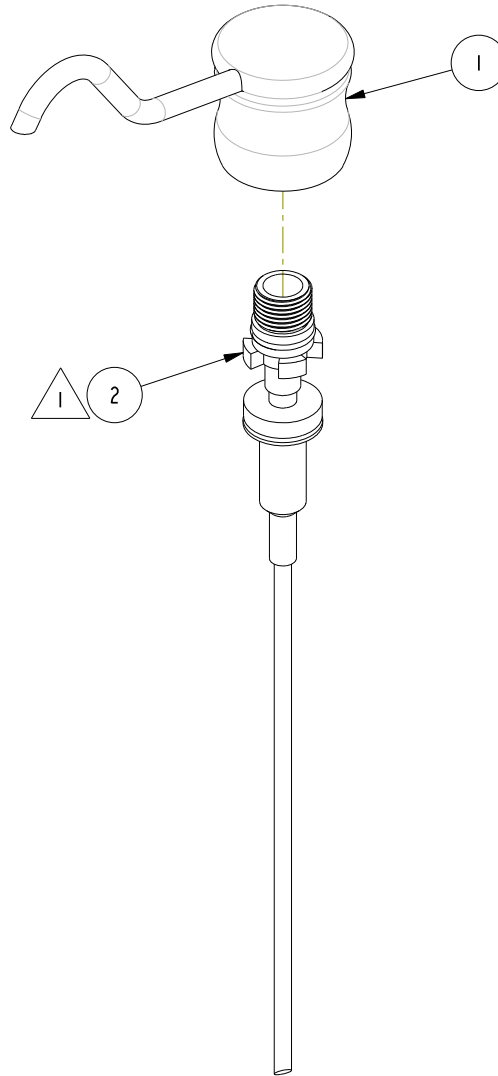


BILL OF MATERIAL (CURRENT LEVEL)

ITEM	PT/ASSY	DESCRIPTION	TYPE	QTY.
1	3-440	SOAP DISPENSER HEAD ASM	ASSEMBLY	1
2	50931	PUMP ASSY FOR ECONO SOAP	PART	1

NOTE:
 1. APPLY 15-20 IN-LB OF TORQUE.



COPYRIGHT 2005 BRASSTECH, INC. THESE DRAWINGS AND THE DESIGNS DEPICTED HEREIN ARE THE PROPRIETARY PROPERTY OF BRASSTECH. ANY USE OR REPRODUCTION IS SUBJECT TO THE EXPRESS APPROVAL OF BRASSTECH. UNAUTHORIZED USE IS STRICTLY PROHIBITED. ALL RIGHTS RESERVED.

BRASSTECH
 INCORPORATED
 2001 E. CARNEGIE AVE.
 SANTA ANA, CA 92705
 (949) 417-5207

SOAP DISPENSER PUMP HEAD

ASSY. NO. 127-6

SCALE .500	REF. -	SHEET 1 OF 1	REV	REV DESC	DATE
------------	--------	--------------	-----	----------	------

C	EN-2033	02/21/12
B	EN-1201	10/07/09
A	EO-0529	07/06/05
-	RELEASED	PRE '95