

4

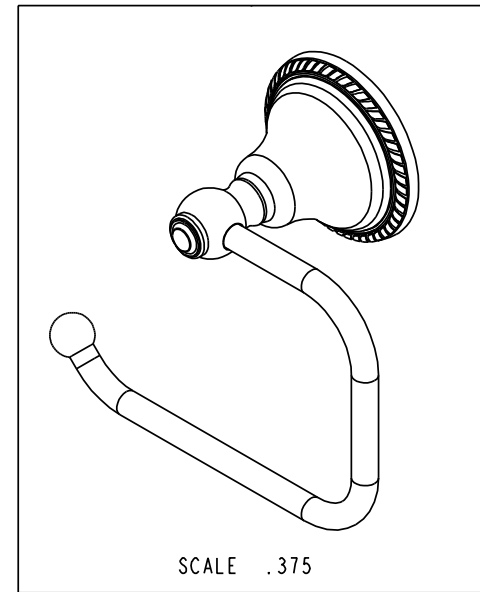
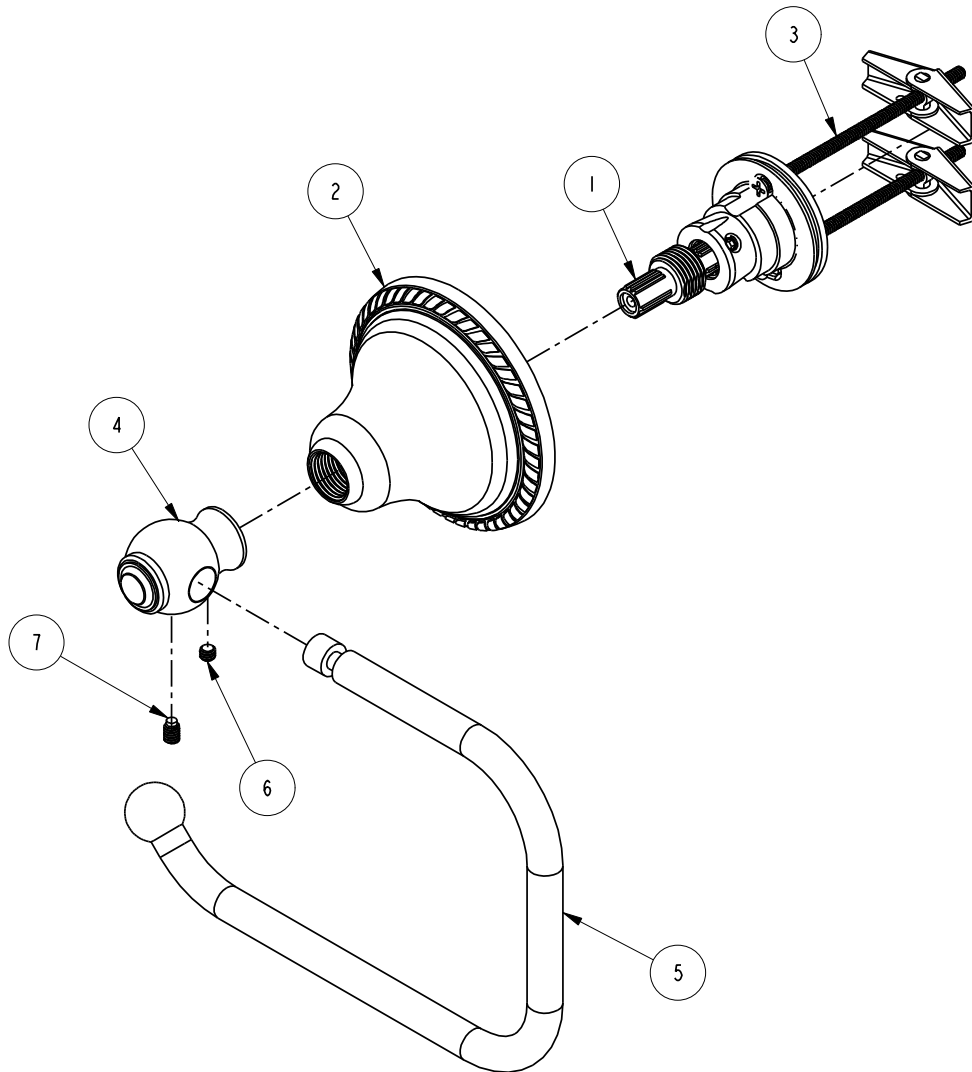
3

2

1

BILL OF MATERIAL (CURRENT LEVEL)

ITEM	PT/ASSY	DESCRIPTION	TYPE	QTY.
1	1-212	ACCESSORY MTG KIT	ASSEMBLY	1
2	2-183	ESCUTCHEON ASM	ASSEMBLY	1
3	1-125	HARDWARE KIT	ASSEMBLY	1
4	40235	OPEN TOWEL/TISSUE POST	PART	1
5	2-304	ROLLER ASM-TISSUE	ASSEMBLY	1
6	92000	SCREW 8 - 32 X 1/8 SS	PART	1
7	92107	SCW 8-32 X 1/4 DOG PT	PART	1



COPYRIGHT 2005 BRASSTECH, INC. THESE DRAWINGS AND THE DESIGNS DEPICTED HEREIN ARE THE PROPRIETARY PROPERTY OF BRASSTECH. ANY USE OR REPRODUCTION IS SUBJECT TO THE EXPRESS APPROVAL OF BRASSTECH. UNAUTHORIZED USE IS STRICTLY PROHIBITED. ALL RIGHTS RESERVED.

BRASSTECH
INCORPORATED
2001 E. CARNEGIE AVE.
SANTA ANA, CA 92705
(949) 417-5207

OPEN TOWEL/TISSUE HOLDER T6

ASSY. NO.		15-27		A	EN-1241a	09/14/09
SCALE NONE		REF. -	SHEET 1 OF 2	-	RELEASED	08/29/03
				REV	REV DESC	DATE

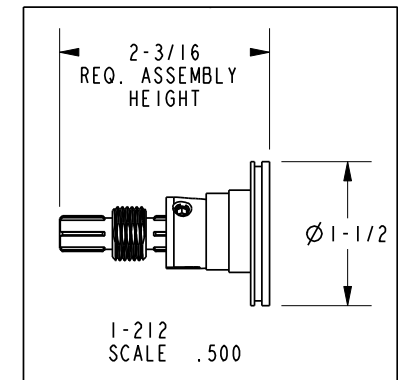
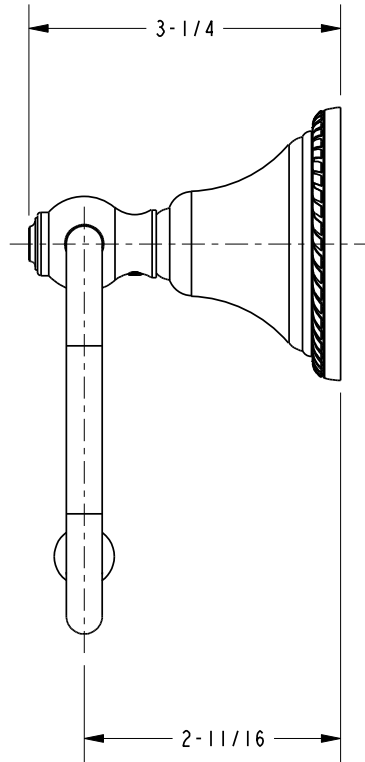
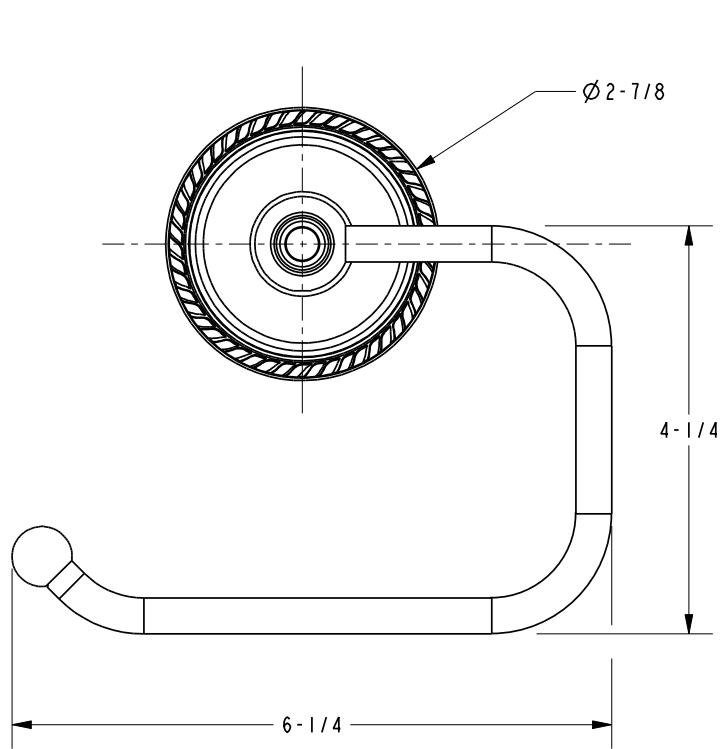
4

3

2

1

SPECIFICATION DWG



DIMENSIONS ARE IN INCHES AND AN APPROXIMATION OF A TYPICAL INSTALLATION

COPYRIGHT 2005 BRASSTECH, INC. THESE DRAWINGS AND THE DESIGNS DEPICTED HEREIN ARE THE PROPRIETARY PROPERTY OF BRASSTECH. ANY USE OR REPRODUCTION IS SUBJECT TO THE EXPRESS APPROVAL OF BRASSTECH. UNAUTHORIZED USE IS STRICTLY PROHIBITED. ALL RIGHTS RESERVED.

BRASSTECH		2001 E. CARNEGIE AVE. SANTA ANA, CA 92705 (949) 417-5207	
DWG NO.	15-27	REV	A
SCALE	.500	REF.	-
		SHEET	2 OF 2