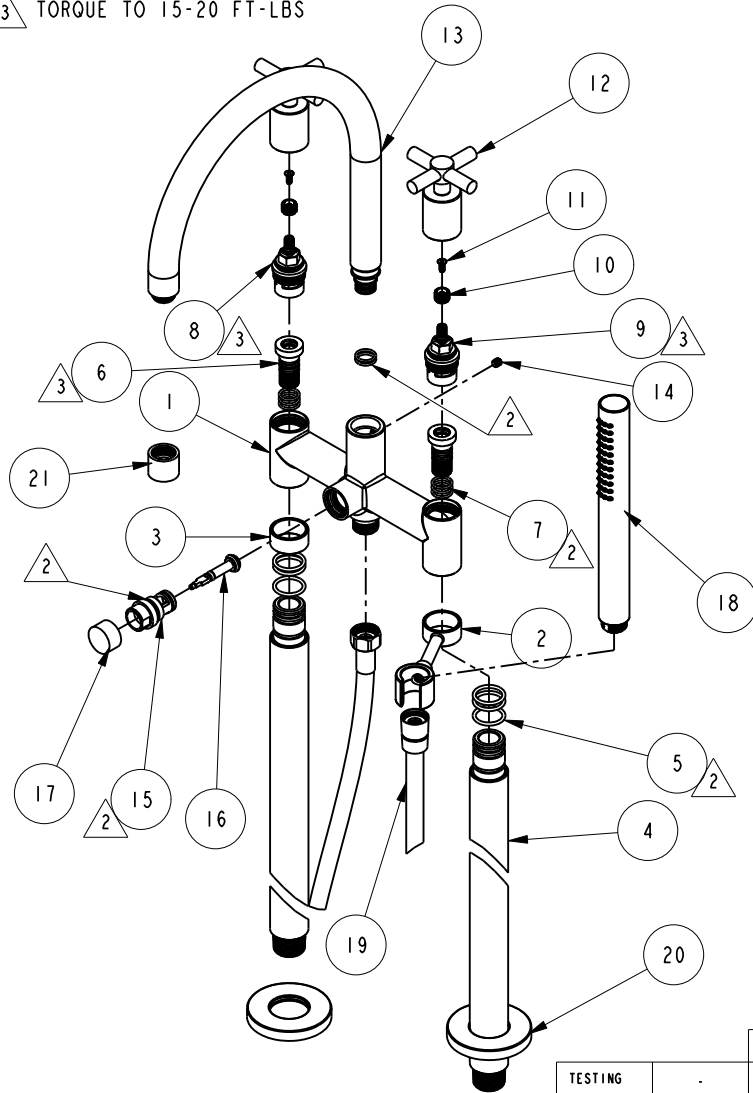


NOTES:

1. TO INSPECT ASSEMBLY, FOLLOW FIRST ARTICLE AND IN PROCESS INSPECTION SHEET.

2 APPLY THIN COAT OF SILICONE GREASE TO O-RING

3 TORQUE TO 15-20 FT-LBS



BILL OF MATERIAL (CURRENT LEVEL)

ITEM	PT/ASSY	DESCRIPTION	TYPE	QTY.
1	13595	BRIDGE FAUCET BODY	PART	1
2	20-589	TUB FILLER HANDSHOWER HOLDER ASM	ASSEMBLY	1
3	13596	SPACER RING	PART	1
4	20-587	TUB FILLER RISER ASM	ASSEMBLY	2
5	91046	O-RING, #2-118, EPDM, 65-75 DURO	PART	6
6	92916	INTERNAL SEALING SCREW	PART	2
7	91079	O-RING, #2- 015, EPDM, 65-75 DURO, NSF 61	PART	8
8	1-146	CARTRIDGE 3/4, M24 (HOT)	PART	1
9	1-145	CARTRIDGE 3/4, M24 (COLD)	PART	1
10	12975	ADAPTER	PART	2
11	92035	SCRW, M4 X .7 X 10 PHL FLT HD SS	PART	2
12	20-354	CROSS HANDLE ASM	ASSEMBLY	2
13	20-609	BRIDGE TUB FILLER SPOUT ASM	ASSEMBLY	1
14	92995	SCRW, 1/4-20 X 1/4 SKT HD CUP PT SS NYLON PATCH	PART	1
15	20-260	DIVERTER ASM	ASSEMBLY	1
16	20-259	DIVERTER ASM	ASSEMBLY	1
17	12191	DIVERTER BUTTON	PART	1
18	283-101	ROUND WAND HANDSHOWER	ASSEMBLY	1
19	284	59 IN. SPIRAL SHOWER HOSE	ASSEMBLY	1
20	20-596	TUB FILLER ESCUTCHEON ASM	ASSEMBLY	2
21	20-601	FLOW STRAIGHTENER	ASSEMBLY	1

COPYRIGHT 2005 BRASSTECH, INC. THESE DRAWINGS AND THE DESIGNS DEPICTED HEREIN ARE THE PROPRIETARY PROPERTY OF BRASSTECH. ANY USE OR REPRODUCTION IS SUBJECT TO THE EXPRESS APPROVAL OF BRASSTECH. UNAUTHORIZED USE IS STRICTLY PROHIBITED. ALL RIGHTS RESERVED.

TESTING	-	-	-
ASSEMBLY	-	-	-
PLATING	-	-	-
POLISHING	-	NEXT ASSY	USED ON
MACHINING	-		
TOOLING FIXTURE #		REMOVE ALL BURRS AND SHARP EDGES	

UNITS ARE: INCHES [MM]		
TOLERANCES ARE:		
FRACTIONS	DECIMALS	ANGLES
±1/16"	.X ±.1 [2.5]	±1°
	.XX ±.06 [1.5]	
(X.XXX) DENOTES CRITICAL DIMS. ALL THREADS ARE CRITICAL		
DRAWN	G.B.	12/07/20
CHECKED	J.M.	12/07/20
APPROVED	J.M.	12/07/20

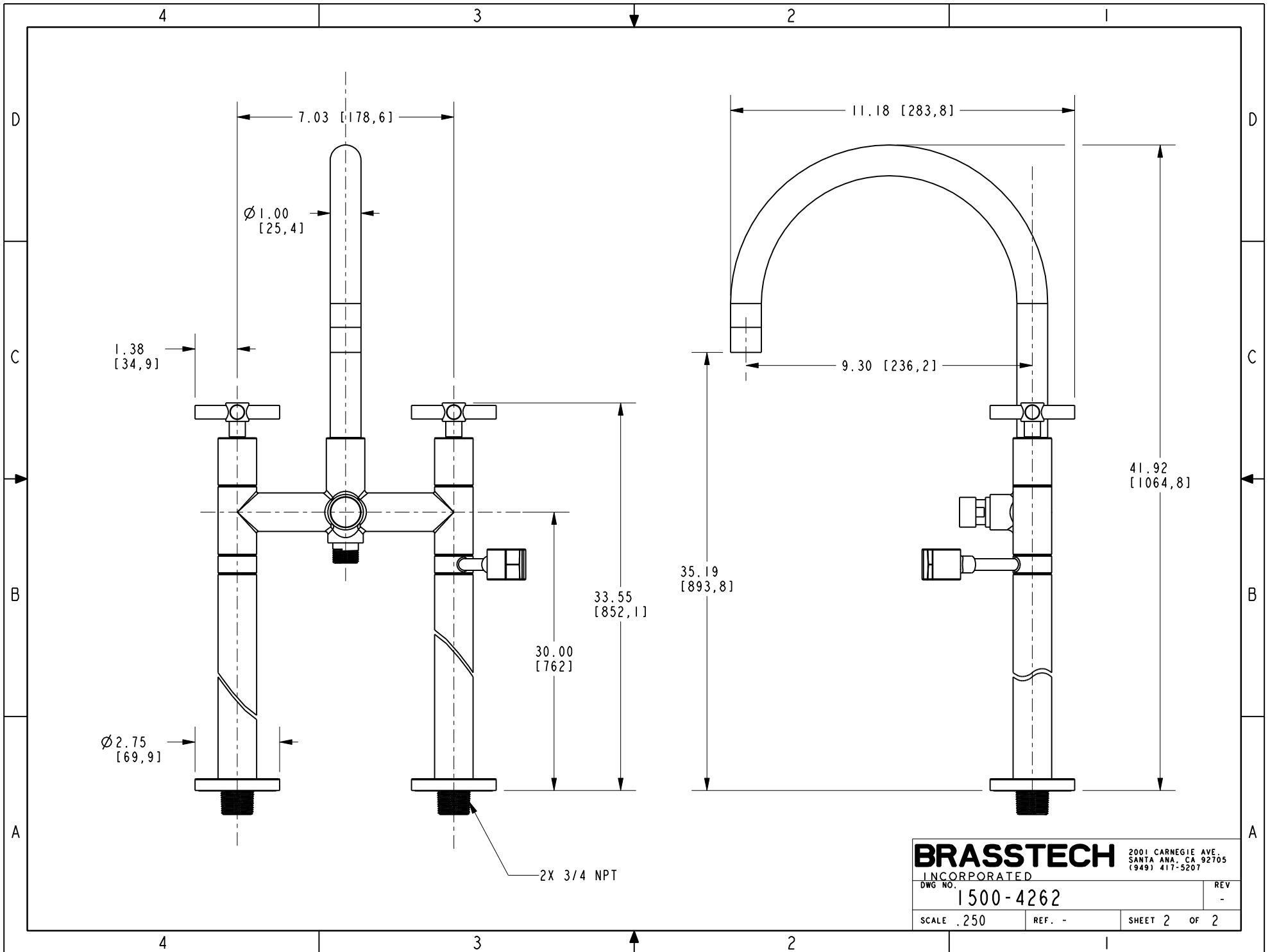
**BRASSTECH** 2001 CARNEGIE AVE. SANTA ANA, CA 92705 (949) 417-5207  
**INCORPORATED**

**FREESTANDING BRIDGE TUB FILLER**

DWG NO. **1500-4262** REV -

SCALE .160 REF. - SHEET 1 OF 2

-	-	EN-4279	12/07/20	J.M.
ZONE	REV	DESCRIPTION	DATE	APPROVED



**BRASSTECH** 2001 CARNEGIE AVE.  
 INCORPORATED SANTA ANA, CA 92705  
 (949) 417-5207

DWG NO.	1500-4262	REV	-
SCALE	.250	REF.	-
SHEET 2		OF 2	