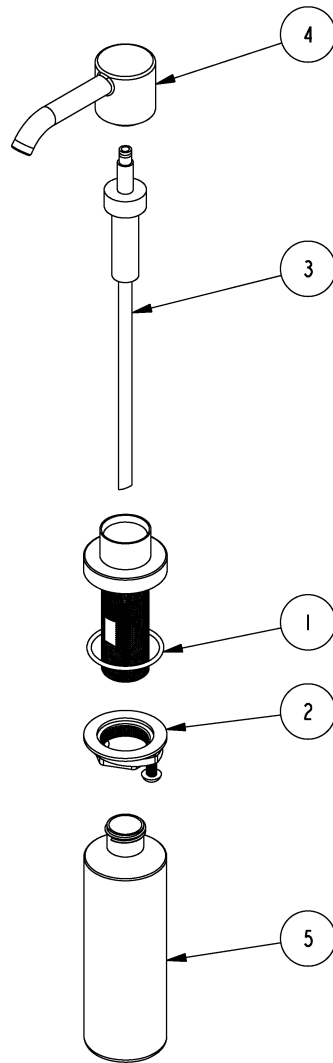


## REPLACEMENT PARTS

ITEM	PT/ASSY	SPECIFY FINISH	DESCRIPTION
1	91362		O-RING, #2-130, EPDM, 65-75 DURO
2	1-393		1-1/8 18 UNEF MOUNTING KIT
3	125-8		SOAP DISPENSER PUMP ASM
4	20-373	YES	SOAP PUMP HEAD ASM CONTEMP
5	125-9		SOAP DISPENSER BOTTLE



SOAP / LOTION DISPENSER  
1500-5721

REV A EN-4648 01/31/24

**NEWPORT BRASS.**

t: 949.417.5207 | [www.newportbrass.com](http://www.newportbrass.com)