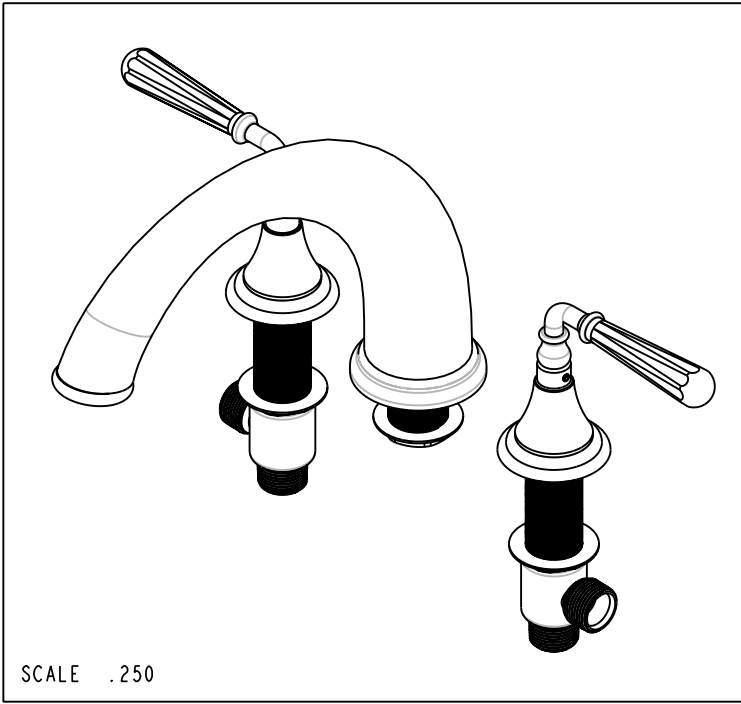
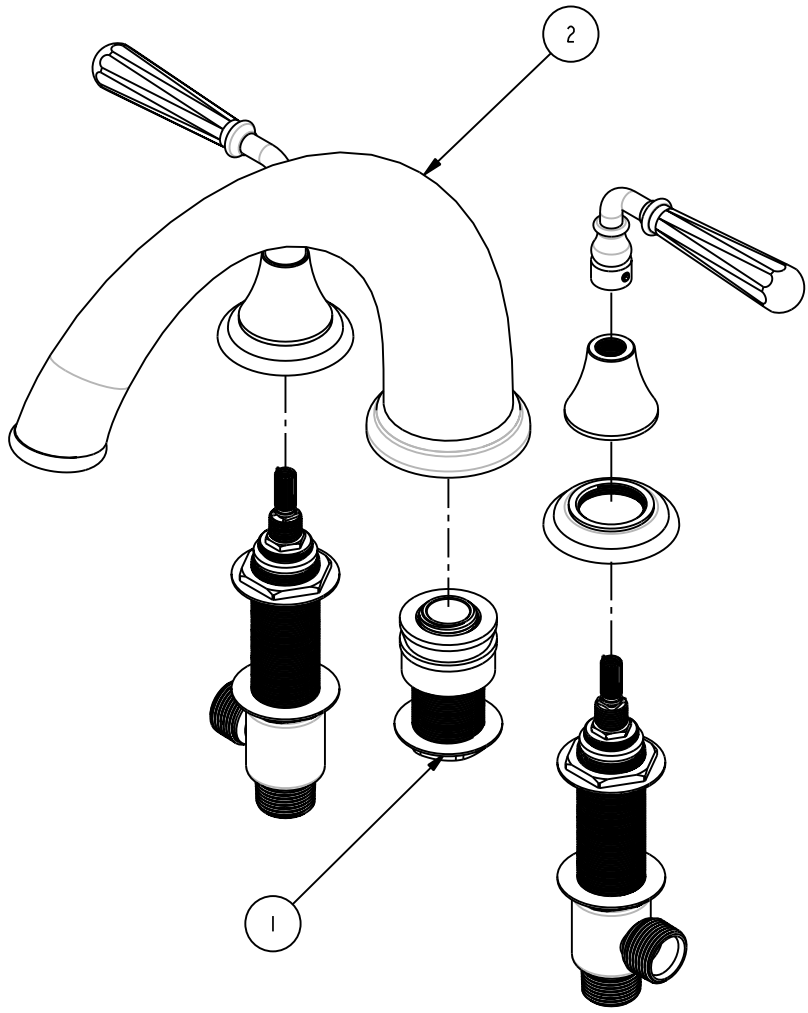


| BILL OF MATERIAL (CURRENT LEVEL) | | | | |
|----------------------------------|---------|----------------------------|----------|------|
| ITEM | PT/ASSY | DESCRIPTION | TYPE | QTY. |
| 1 | 1-506 | R/T 2-VALVE, QUICK CONNECT | ASSEMBLY | 1 |
| 2 | 3-1746 | TRIM KIT R/T, 3-1746 | ASSEMBLY | 1 |



COPYRIGHT 2003 BRASSTECH, INC. THESE DRAWINGS AND THE DESIGNS DEPICTED HEREIN ARE THE PROPRIETARY PROPERTY OF BRASSTECH. ANY USE OR REPRODUCTION IS SUBJECT TO THE EXPRESS APPROVAL OF BRASSTECH. UNAUTHORIZED USE IS STRICTLY PROHIBITED. ALL RIGHTS RESERVED.

BRASSTECH
INCORPORATED
2001 E. CARNEGIE AVE.
SANTA ANA, CA 92705
(949) 417-5207

ROMAN TUB SET

| | | | | | | | | | |
|------------|--------|--------------|-----|----------|------|---------|--|----------|--|
| ASSY. NO. | | 1746 | | | | EO-0390 | | 07/16/04 | |
| SCALE .300 | REF. - | SHEET 1 OF 3 | REV | REV DESC | DATE | | | | |

4

3

2

1

BILL OF MATERIAL (CURRENT LEVEL)

| ITEM | PT/ASSY | DESCRIPTION | TYPE | QTY. |
|------|---------|----------------------------|----------|------|
| 1 | 2-470 | LEVER HANDLE ASM W/8 FLATS | ASSEMBLY | 2 |
| 2 | 3-178 | ROMAN TUB SPOUT | ASSEMBLY | 1 |
| 3 | 10049 | ESCUTCHEON, ROMAN TUB | PART | 2 |
| 4 | 10095 | ESCUTCHEON, 900 SERIES | PART | 2 |

D

D

C

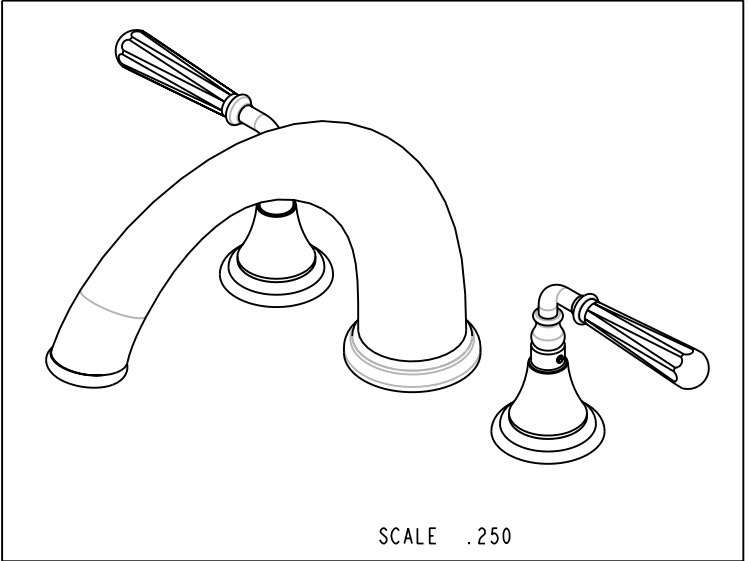
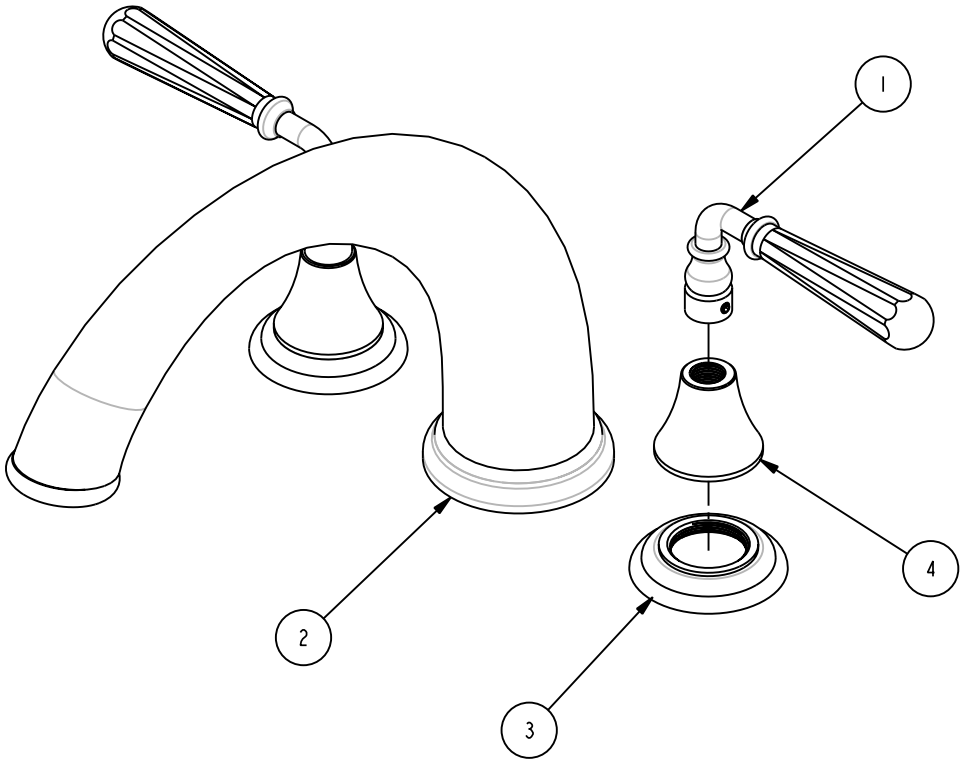
C

B

B

A

A



COPYRIGHT 2003 BRASSTECH, INC. THESE DRAWINGS AND THE DESIGNS DEPICTED HEREIN ARE THE PROPRIETARY PROPERTY OF BRASSTECH. ANY USE OR REPRODUCTION IS SUBJECT TO THE EXPRESS APPROVAL OF BRASSTECH. UNAUTHORIZED USE IS STRICTLY PROHIBITED. ALL RIGHTS RESERVED.

BRASSTECH
 INCORPORATED
 2001 E. CARNEGIE AVE.
 SANTA ANA, CA 92705
 (949) 417-5207

TRIM KIT R/T, 3-1746

| | | | | | |
|------------|--------|--------------|-----|----------|----------|
| ASSY. NO. | | 1746 | | | |
| SCALE .350 | REF. - | SHEET 2 OF 3 | REV | REV DESC | DATE |
| | | | | EO-0390 | 07/16/04 |

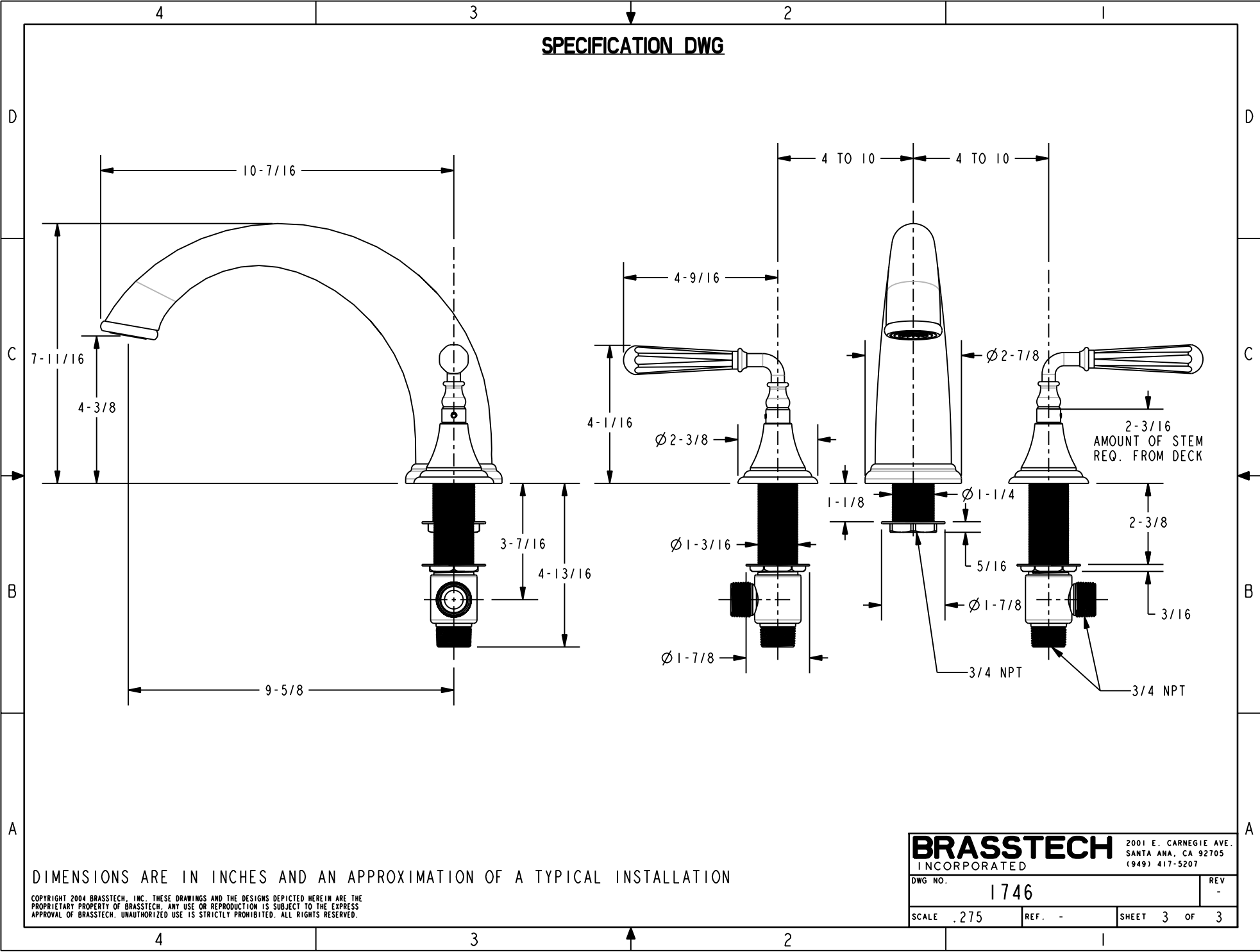
4

3

2

1

SPECIFICATION DWG



DIMENSIONS ARE IN INCHES AND AN APPROXIMATION OF A TYPICAL INSTALLATION

COPYRIGHT 2004 BRASSTECH, INC. THESE DRAWINGS AND THE DESIGNS DEPICTED HEREIN ARE THE PROPRIETARY PROPERTY OF BRASSTECH. ANY USE OR REPRODUCTION IS SUBJECT TO THE EXPRESS APPROVAL OF BRASSTECH. UNAUTHORIZED USE IS STRICTLY PROHIBITED. ALL RIGHTS RESERVED.

| | | |
|------------------|--------|-----------------------|
| BRASSTECH | | 2001 E. CARNEGIE AVE. |
| INCORPORATED | | SANTA ANA, CA 92705 |
| | | (949) 417-5207 |
| DWG NO. | 1746 | REV - |
| SCALE .275 | REF. - | SHEET 3 OF 3 |