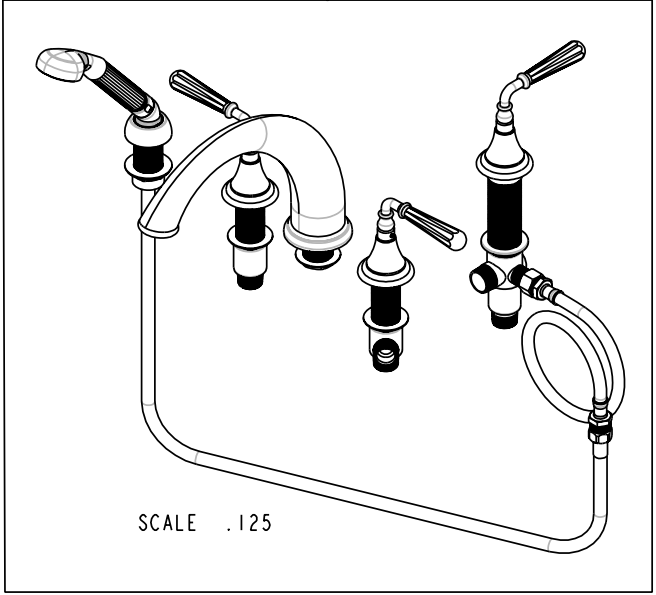


BILL OF MATERIAL (CURRENT LEVEL)				
ITEM	PT/ASSY	DESCRIPTION	TYPE	QTY.
1	1-507	R/T 3-VALVE/QUICK CONNECT	ASSEMBLY	1
2	3-1747	TRIM KIT R/T W/HANDSHWR, 3-1747	ASSEMBLY	1



COPYRIGHT 2005 BRASSTECH, INC. THESE DRAWINGS AND THE DESIGNS DEPICTED HEREIN ARE THE PROPRIETARY PROPERTY OF BRASSTECH. ANY USE OR REPRODUCTION IS SUBJECT TO THE EXPRESS APPROVAL OF BRASSTECH. UNAUTHORIZED USE IS STRICTLY PROHIBITED. ALL RIGHTS RESERVED.

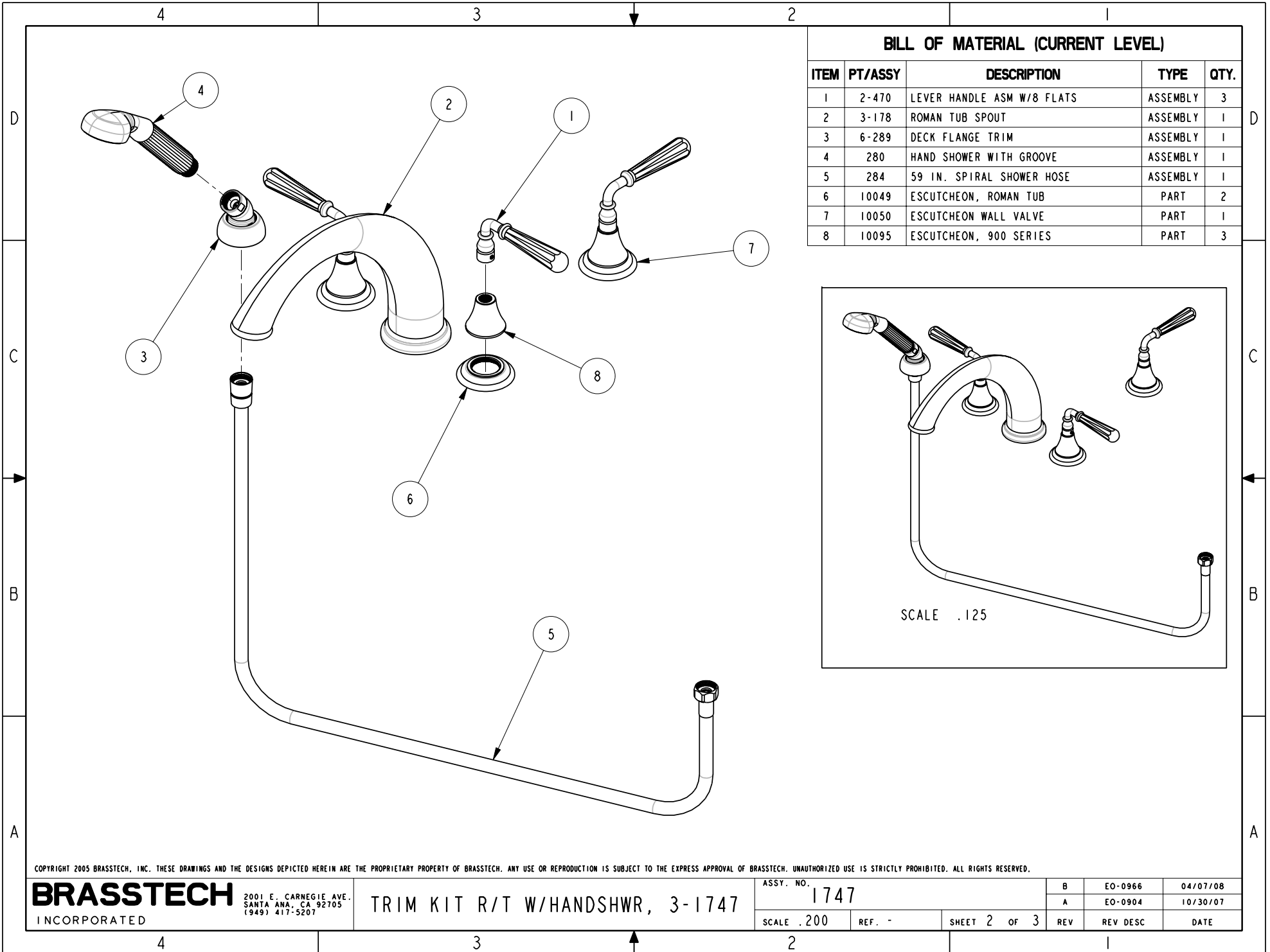
BRASSTECH
INCORPORATED

2001 E. CARNEGIE AVE.
SANTA ANA, CA 92705
(949) 417-5207

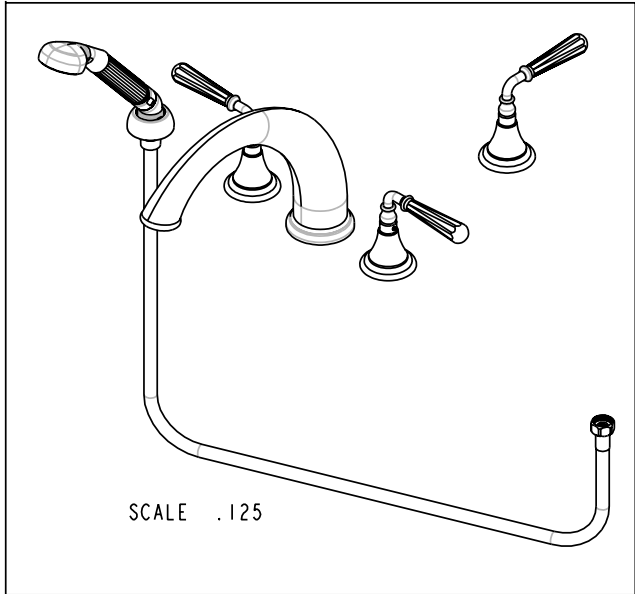
ROMAN TUB WITH HAND SHOWER

ASSY. NO.	1747		
SCALE .200	REF. -	SHEET 1 OF 3	REV
			REV DESC
			DATE

B	EO-0966	04/07/08
A	EO-0904	10/30/07



BILL OF MATERIAL (CURRENT LEVEL)				
ITEM	PT/ASSY	DESCRIPTION	TYPE	QTY.
1	2-470	LEVER HANDLE ASM W/8 FLATS	ASSEMBLY	3
2	3-178	ROMAN TUB SPOUT	ASSEMBLY	1
3	6-289	DECK FLANGE TRIM	ASSEMBLY	1
4	280	HAND SHOWER WITH GROOVE	ASSEMBLY	1
5	284	59 IN. SPIRAL SHOWER HOSE	ASSEMBLY	1
6	10049	ESCUTCHEON, ROMAN TUB	PART	2
7	10050	ESCUTCHEON WALL VALVE	PART	1
8	10095	ESCUTCHEON, 900 SERIES	PART	3



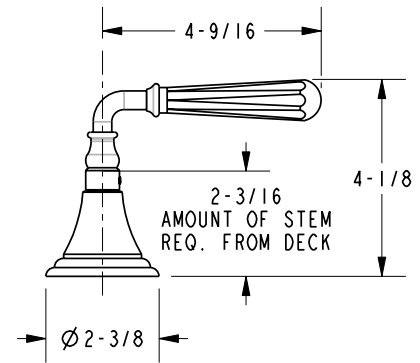
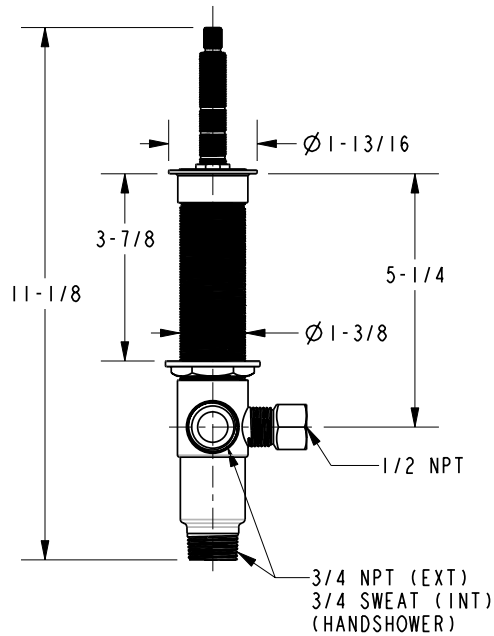
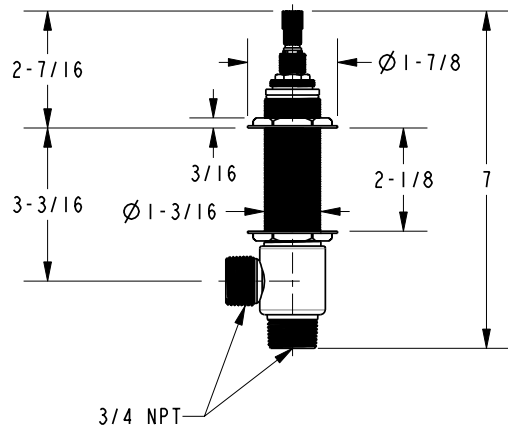
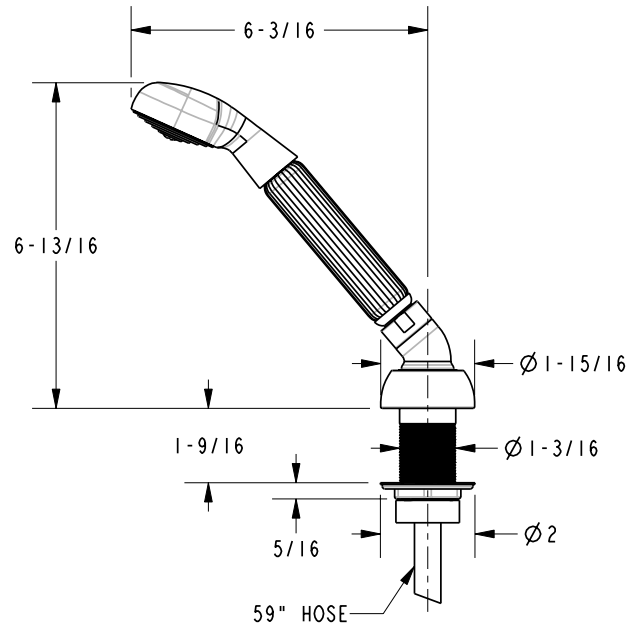
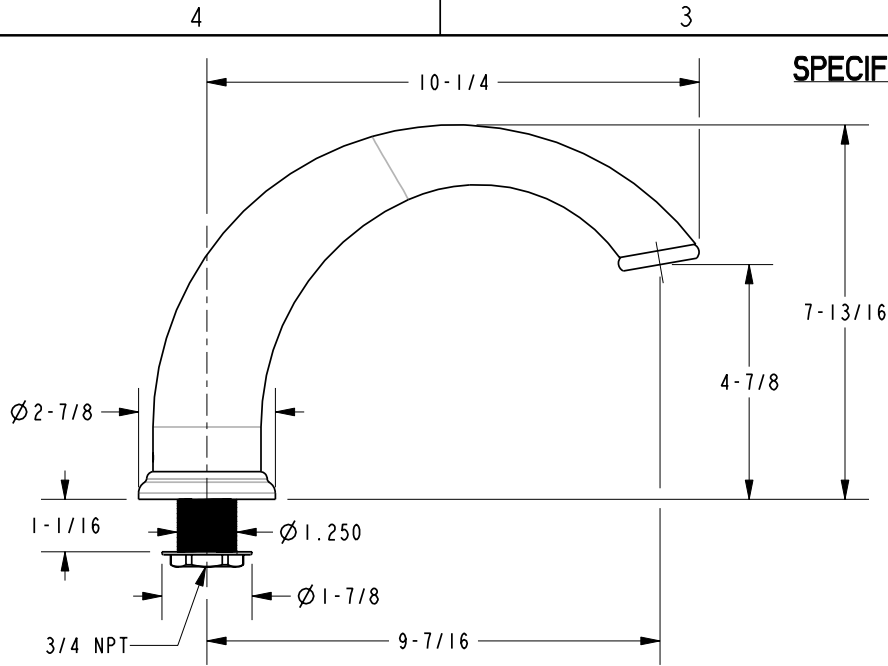
COPYRIGHT 2005 BRASSTECH, INC. THESE DRAWINGS AND THE DESIGNS DEPICTED HEREIN ARE THE PROPRIETARY PROPERTY OF BRASSTECH. ANY USE OR REPRODUCTION IS SUBJECT TO THE EXPRESS APPROVAL OF BRASSTECH. UNAUTHORIZED USE IS STRICTLY PROHIBITED. ALL RIGHTS RESERVED.

BRASSTECH
INCORPORATED
2001 E. CARNEGIE AVE.
SANTA ANA, CA 92705
(949) 417-5207

TRIM KIT R/T W/HANDSHWR, 3-1747

ASSY. NO.	1747	B	EO-0966	04/07/08
SCALE	.200	A	EO-0904	10/30/07
REF.	-	REV	REV DESC	DATE
SHEET 2 OF 3				

SPECIFICATION DWG



DIMENSIONS ARE IN INCHES AND AN APPROXIMATION OF A TYPICAL INSTALLATION

COPYRIGHT 2005 BRASSTECH, INC. THESE DRAWINGS AND THE DESIGNS DEPICTED HEREIN ARE THE PROPRIETARY PROPERTY OF BRASSTECH. ANY USE OR REPRODUCTION IS SUBJECT TO THE EXPRESS APPROVAL OF BRASSTECH. UNAUTHORIZED USE IS STRICTLY PROHIBITED. ALL RIGHTS RESERVED.

BRASSTECH		2001 E. CARNEGIE AVE.	
INCORPORATED		SANTA ANA, CA 92705	
		(949) 417-5207	
DWG NO.	1747	REV	B
SCALE	.250	REF.	-
		SHEET	3 OF 3