

4

3

2

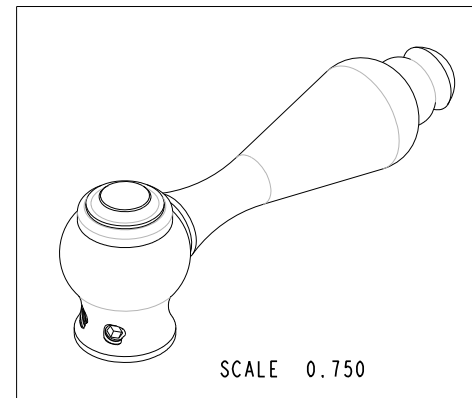
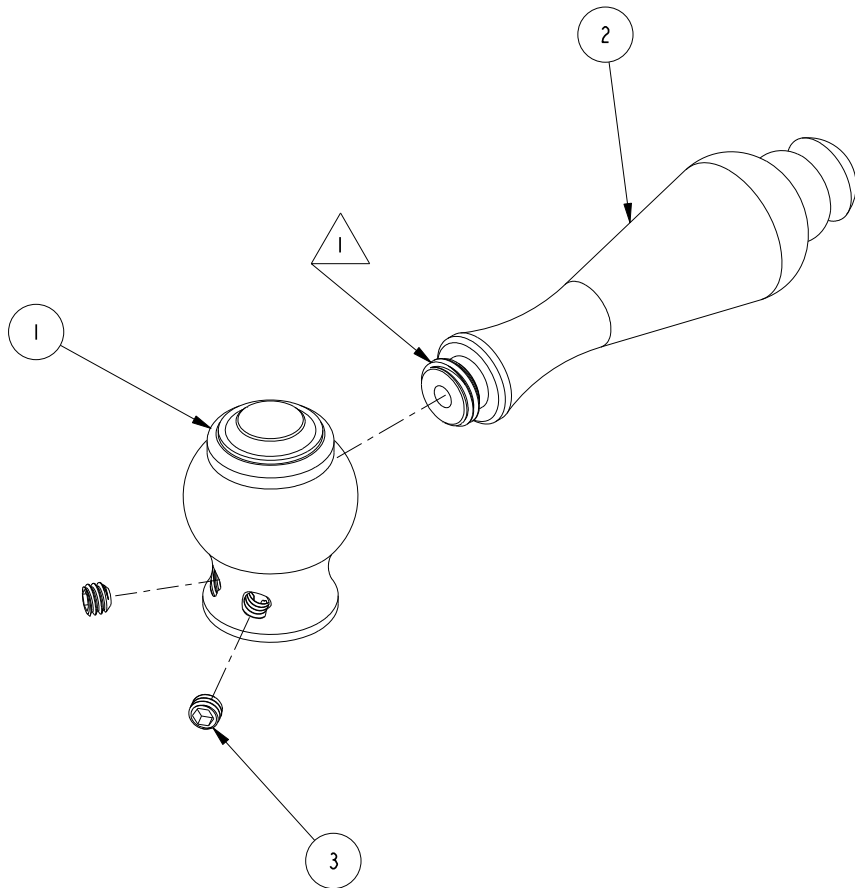
1

BILL OF MATERIAL (CURRENT LEVEL)

ITEM	PT/ASSY	DESCRIPTION	TYPE	QTY.
1	10018	HANDLE POST	PART	1
2	10019	HANDLE LEVER	PART	1
3	92000	SCRW, 8-32 X 1/8 SKT HD CUP PT SS	PART	2

NOTES:

1. APPLY LOCTITE 680 OR EQUIVALENT.



D

D

C

C

B

B

A

A

COPYRIGHT 2005 BRASSTECH, INC. THESE DRAWINGS AND THE DESIGNS DEPICTED HEREIN ARE THE PROPRIETARY PROPERTY OF BRASSTECH. ANY USE OR REPRODUCTION IS SUBJECT TO THE EXPRESS APPROVAL OF BRASSTECH. UNAUTHORIZED USE IS STRICTLY PROHIBITED. ALL RIGHTS RESERVED.

BRASSTECH
 INCORPORATED
 2001 CARNEGIE AVE.
 SANTA ANA, CA 92705
 (949) 417-5207

LEVER HANDLE (BRASS)

ASSY. NO. **2-116**

A EN-2670 01/06/14

- RELEASED -

SCALE 1.000

REF. -

SHEET 1 OF 1

REV

REV DESC

DATE

4

3

2

1