

4

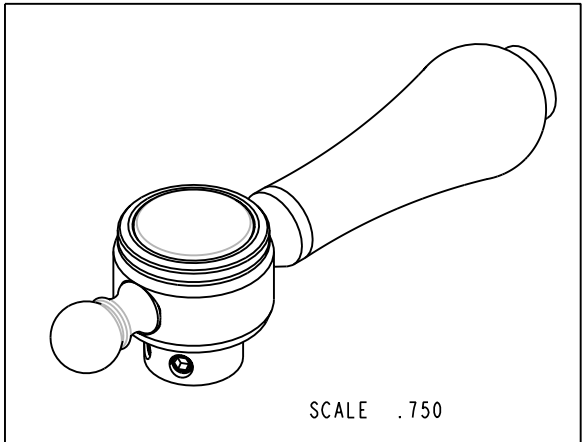
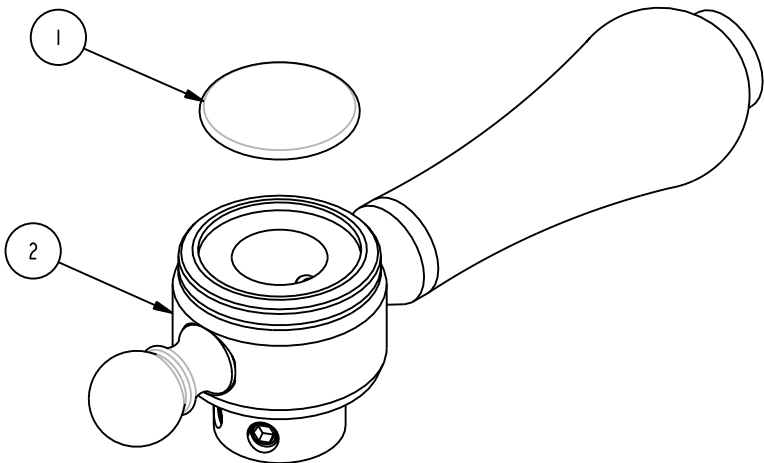
3

2

1

**BILL OF MATERIAL (CURRENT LEVEL)**

ITEM	PT/ASSY	DESCRIPTION	TYPE	QTY.
1	1-110	BLANK BUTTON W/ADHESIVE	ASSEMBLY	1
2	2-137	HANDLE ASSEMBLY	ASSEMBLY	1



D

C

B

A

D

C

B

A

COPYRIGHT 2003 BRASSTECH, INC. THESE DRAWINGS AND THE DESIGNS DEPICTED HEREIN ARE THE PROPRIETARY PROPERTY OF BRASSTECH. ANY USE OR REPRODUCTION IS SUBJECT TO THE EXPRESS APPROVAL OF BRASSTECH. UNAUTHORIZED USE IS STRICTLY PROHIBITED. ALL RIGHTS RESERVED.

**BRASSTECH**  
 INCORPORATED  
 2001 E. CARNEGIE AVE.  
 SANTA ANA, CA 92705  
 (949) 417-5207

HANDLE ASSEMBLY - BLANK

ASSY. NO.		2-136					
SCALE 1.000	REF. -	SHEET 1	OF 1	REV	REV DESC	DATE	06/25/03

4

3

2

1