

4

3

2

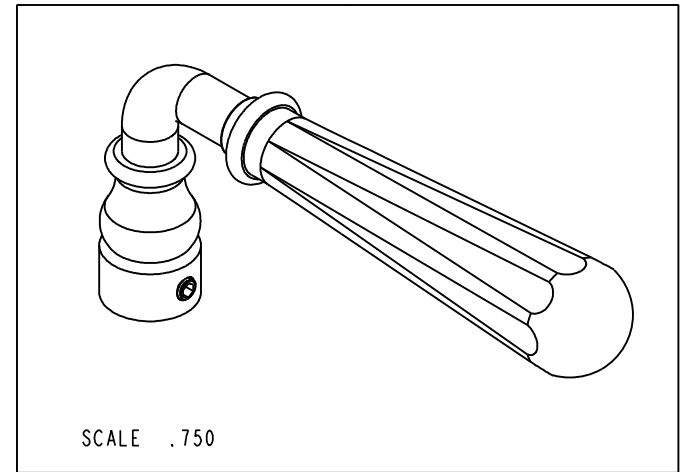
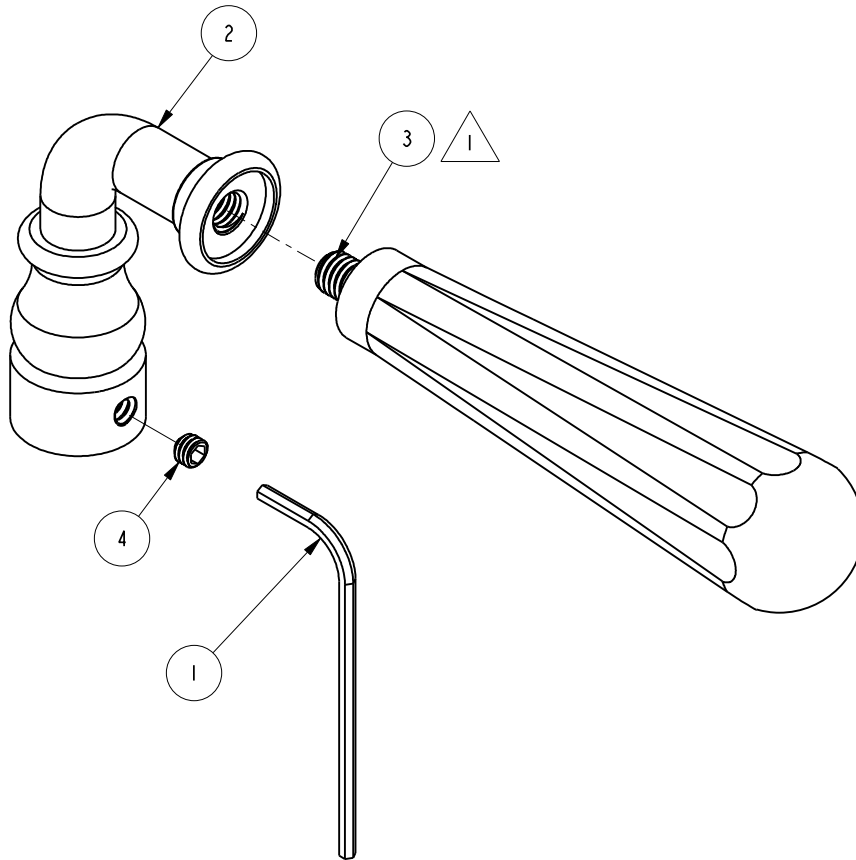
1

BILL OF MATERIAL (CURRENT LEVEL)

ITEM	PT/ASSY	DESCRIPTION	TYPE	QTY.
1	10192	HEX KEY TOOL, #8 5/64	PART	1
2	10948	BASE - CAGE TWIST HDL	PART	1
3	11179	HANDLE LEVER	PART	1
4	92000	SCRW, 8-32 X 1/8 SKT HD CUP PT SS	PART	1

NOTES:

1. APPLY ADHESIVE LOCTITE 680 OR EQUIVALENT.



COPYRIGHT 2005 BRASSTECH, INC. THESE DRAWINGS AND THE DESIGNS DEPICTED HEREIN ARE THE PROPRIETARY PROPERTY OF BRASSTECH. ANY USE OR REPRODUCTION IS SUBJECT TO THE EXPRESS APPROVAL OF BRASSTECH. UNAUTHORIZED USE IS STRICTLY PROHIBITED. ALL RIGHTS RESERVED.

BRASSTECH
INCORPORATED
2001 E. CARNEGIE AVE.
SANTA ANA, CA 92705
(949) 417-5207

LEVER HANDLE ASM W/8 FLATS

ASSY. NO. 2-470

SCALE 1.000

REF. -

SHEET 1 OF 1

A	EN-2032	01/10/14
-	EO-0390	07/16/04
REV	REV DESC	DATE

4

3

2

1