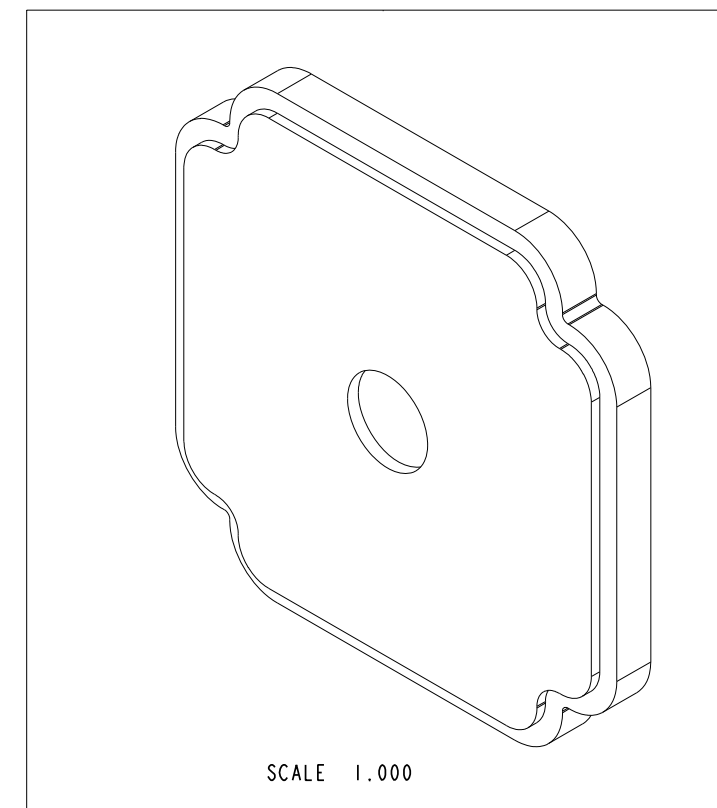
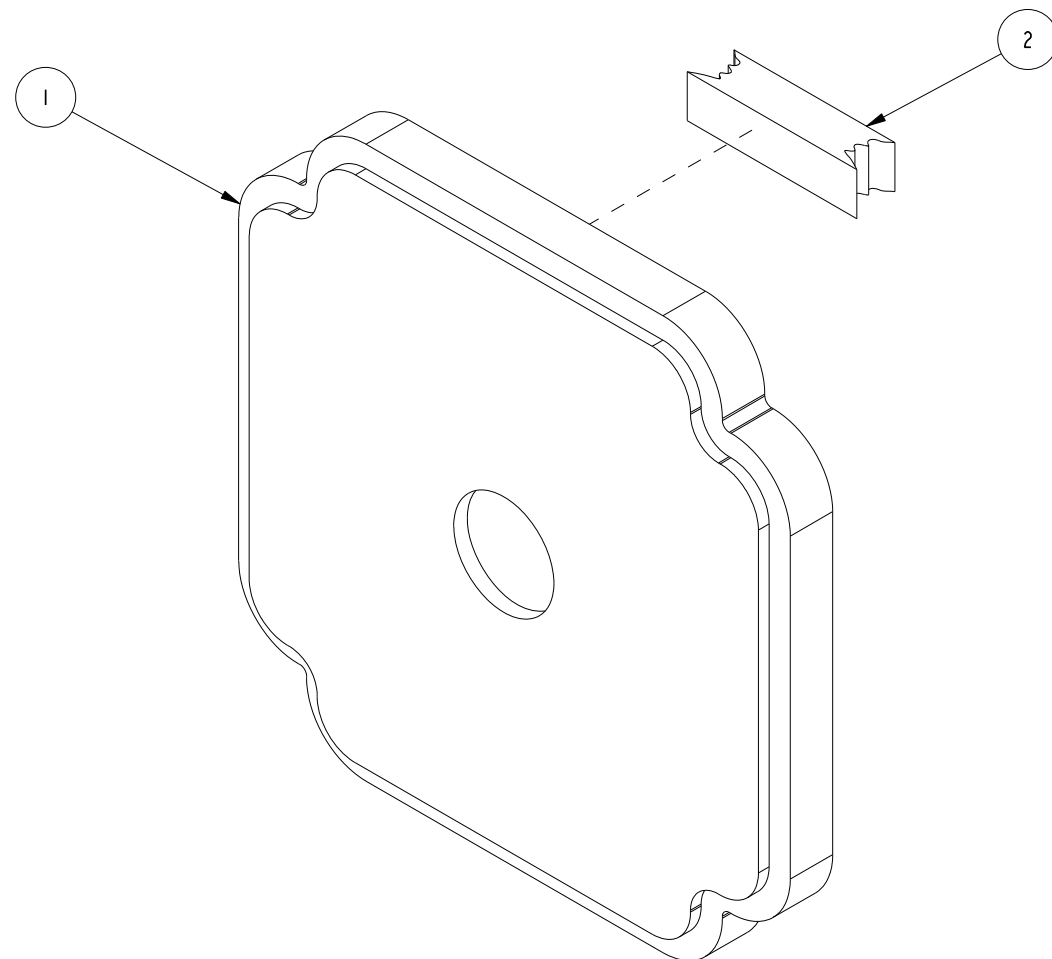


NOTES:

1. TO INSPECT ASSEMBLY, FOLLOW FIRST ARTICLE AND IN PROCESS INSPECTION SHEET.

BILL OF MATERIAL (CURRENT LEVEL)

ITEM	PT/ASSY	DESCRIPTION	TYPE	QTY.
1	I2510	SHOWER DIVERTER PLATE	PART	1
2	H-78	TAPE NEO	PART	1



REV	DESCRIPTION	DATE	APPROVED
A	EN-4776	02/07/24	R.C.
-	EN-4018	11/04/19	V.V.

COPYRIGHT 2005 BRASSTECH, INC.
 THESE DRAWINGS AND THE DESIGNS
 DEPICTED HEREIN ARE THE PROPRIETARY
 PROPERTY OF BRASSTECH. ANY USE
 OR REPRODUCTION IS SUBJECT TO
 THE EXPRESS APPROVAL OF BRASSTECH.
 UNAUTHORIZED USE IS STRICTLY
 PROHIBITED. ALL RIGHTS RESERVED.

-	-	UNITS ARE: INCHES [MM]	
-	-	TOLERANCES ARE:	
-	-	FRACTIONS DECIMALS ANGLES	
-	-	±1/16" .x ±.1 [2.5]	±1°
-	-	.xx ±.06 [1.5]	
-	-	X.XXX DENOTES CRITICAL DIMS.	
-	-	ALL THREADS ARE CRITICAL	
NEXT ASSY	USED ON	DRAWN	11/04/19
APPLICATION		CHECKED	J. ROMO
REMOVE ALL BURRS AND SHARP EDGES		APPROVED	

BRASSTECH 2001 CARNEGIE AVE.
 INCORPORATED SANTA ANA, CA 92705
 (949) 417-5207

SHOWER DIVERTER PLATE

DWG NO. 20-514

SCALE 1.250 REF. - SHEET 1 OF 3